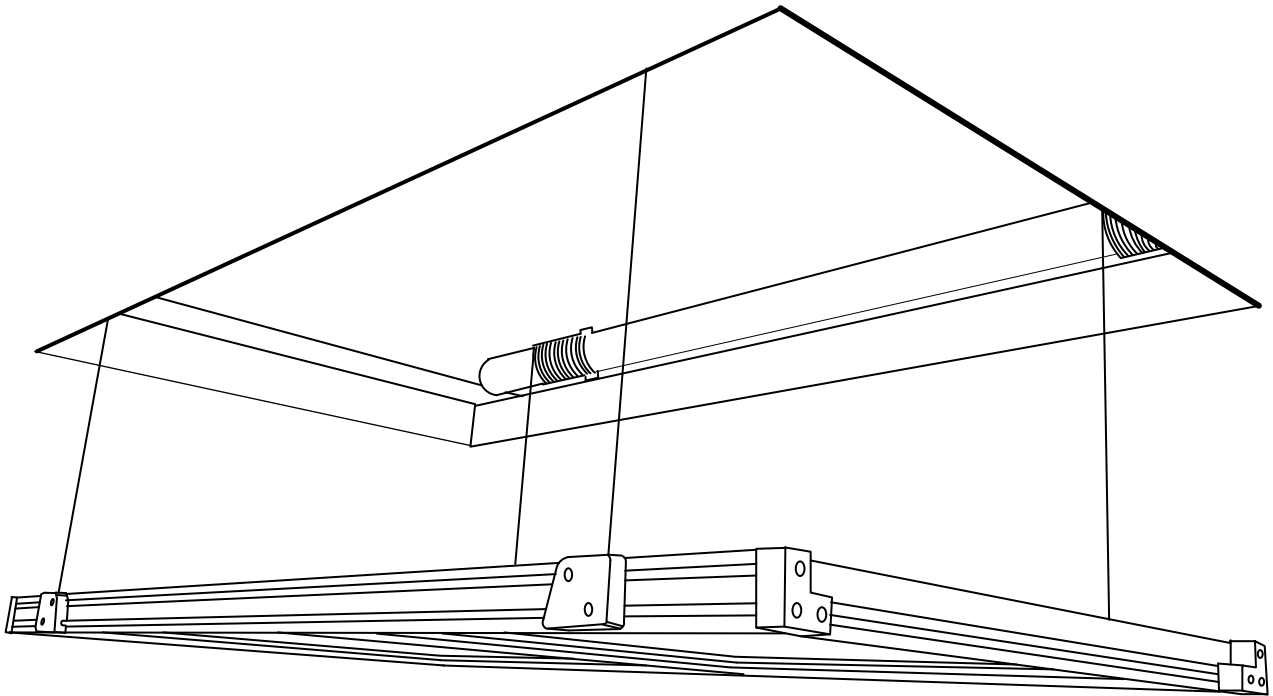
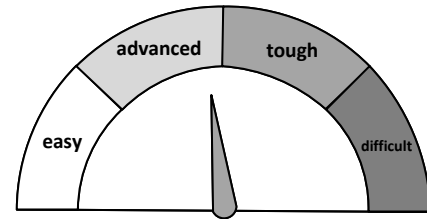


AUXXLIFT Attic



Before YOU start

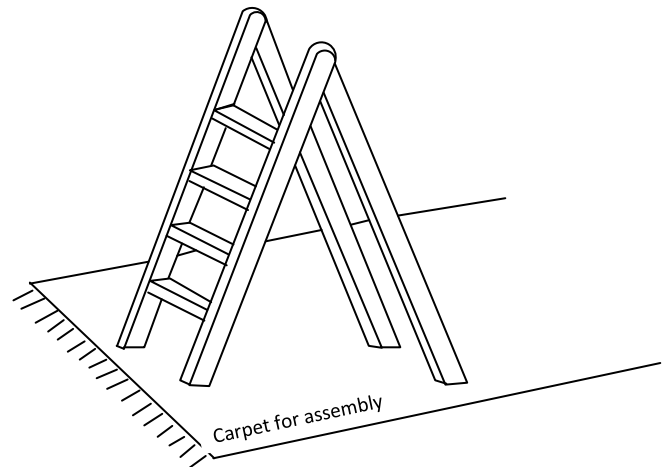
1. Have you read through the instructions?
2. Do you have all the recommended tools?
3. Do you have somebody assisting you?
4. Have you allocated enough time?



For a professional it takes about 3 hours to install.

What is most important is to follow the instructions and read everything carefully before you start.

5. You need a good, stable ladder.
6. Don't use an impact driver.
7. Clean the area before you start.
8. Wear safety glasses!
9. Keep work area clear!



Check measurements during construction.

Make sure that nothing is in the way e.g. windows, doors etc.

10. Does your garage ceiling have or has had termites?
11. Are the joists strong and big enough? (2" x 4" at least)
12. Mounting to a concrete ceiling requires anchors!
13. Has your home been built according to valid standards and guidelines?
14. If you have doubts about the ceiling construction, please ask a specialist!

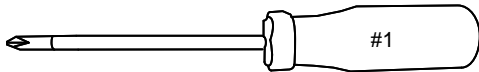
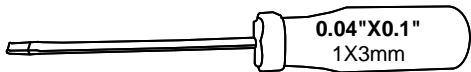
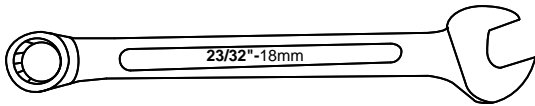
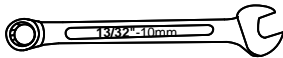
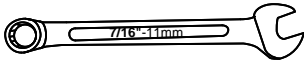
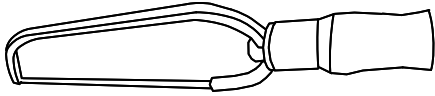
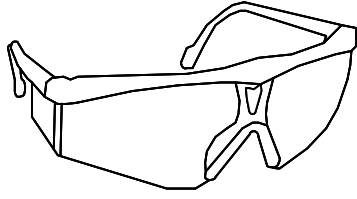


If you have any problems understanding the instructions or you feel uncomfortable handling the installation, please ask a handyman or work with a contractor. Call/write us if you need help or have concerns or questions.

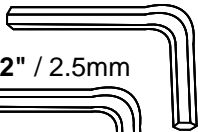
www.auxx-lift.com/installation-help

Help phone: PST 10 am -3 pm 1 805 862 8271

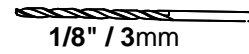
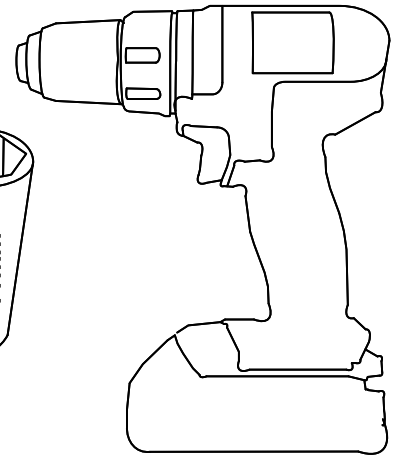
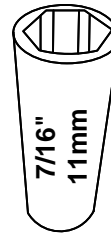
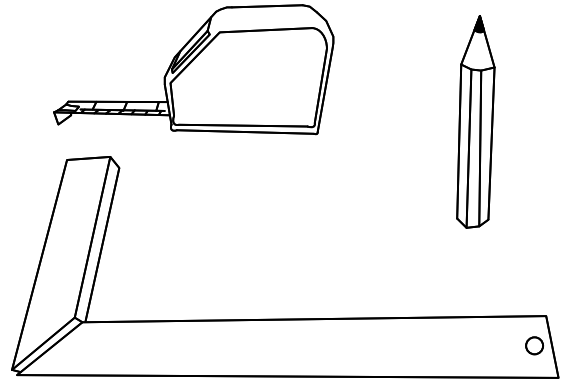
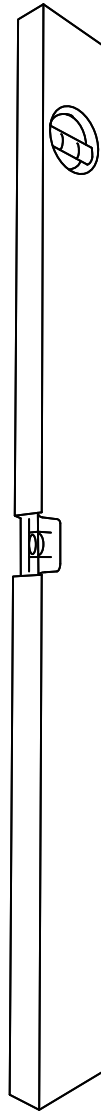
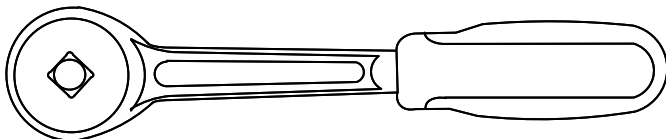
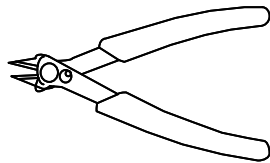
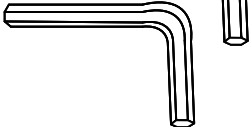
RECOMMENDED TOOLS



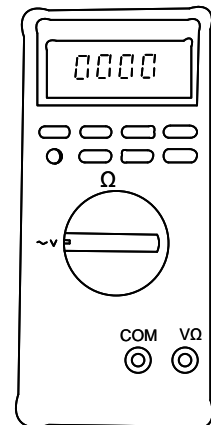
3/16" / 5mm



3/32" / 2.5mm

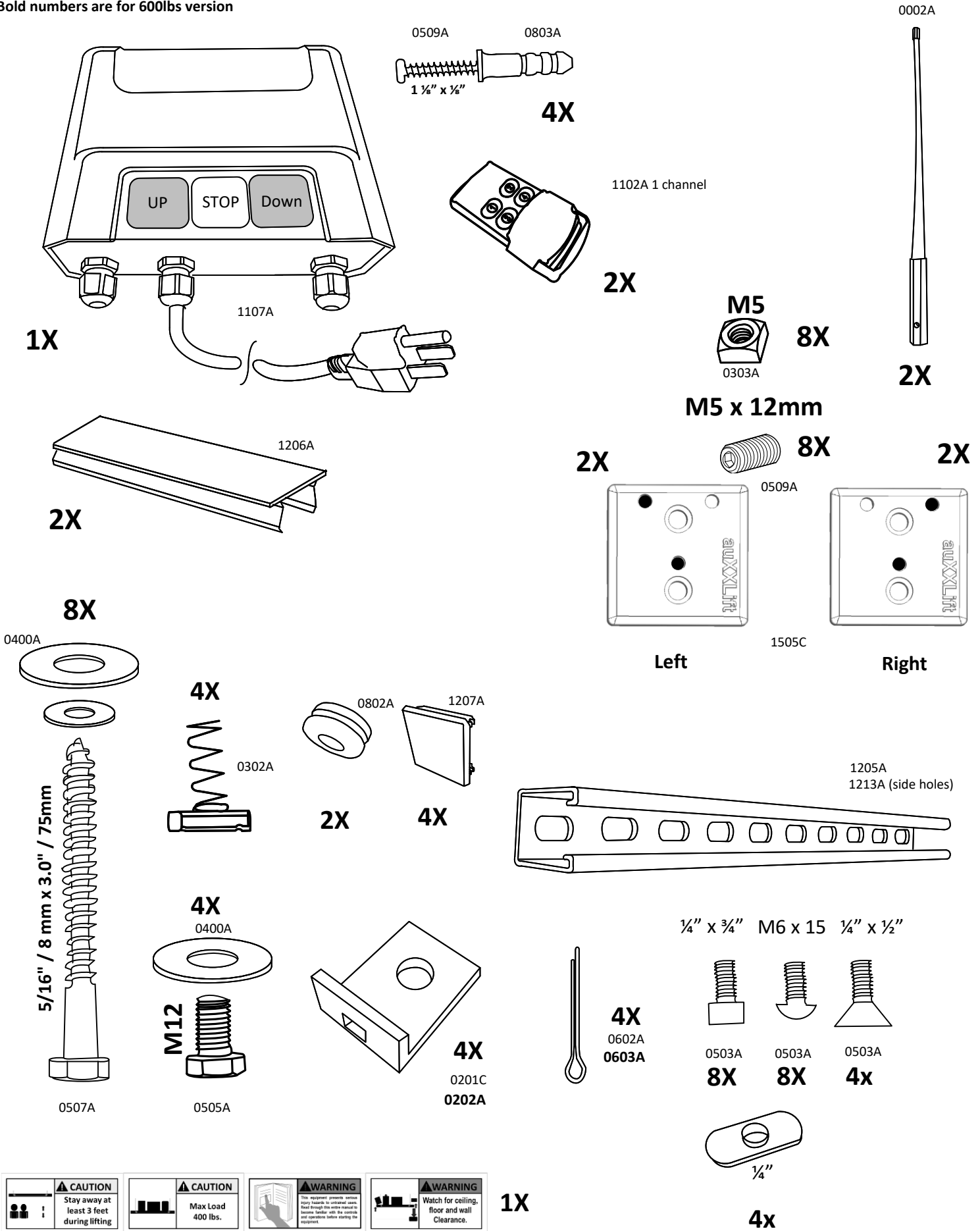


Nice to have



LIST OF PARTS

*Bold numbers are for 600lbs version

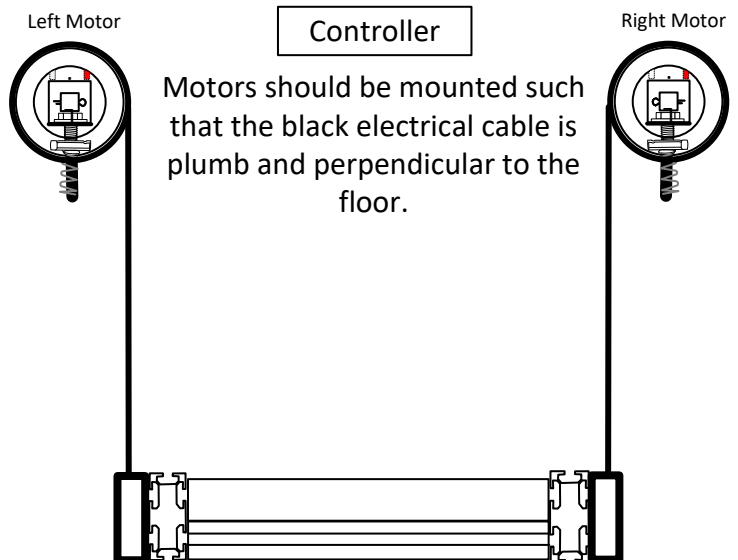
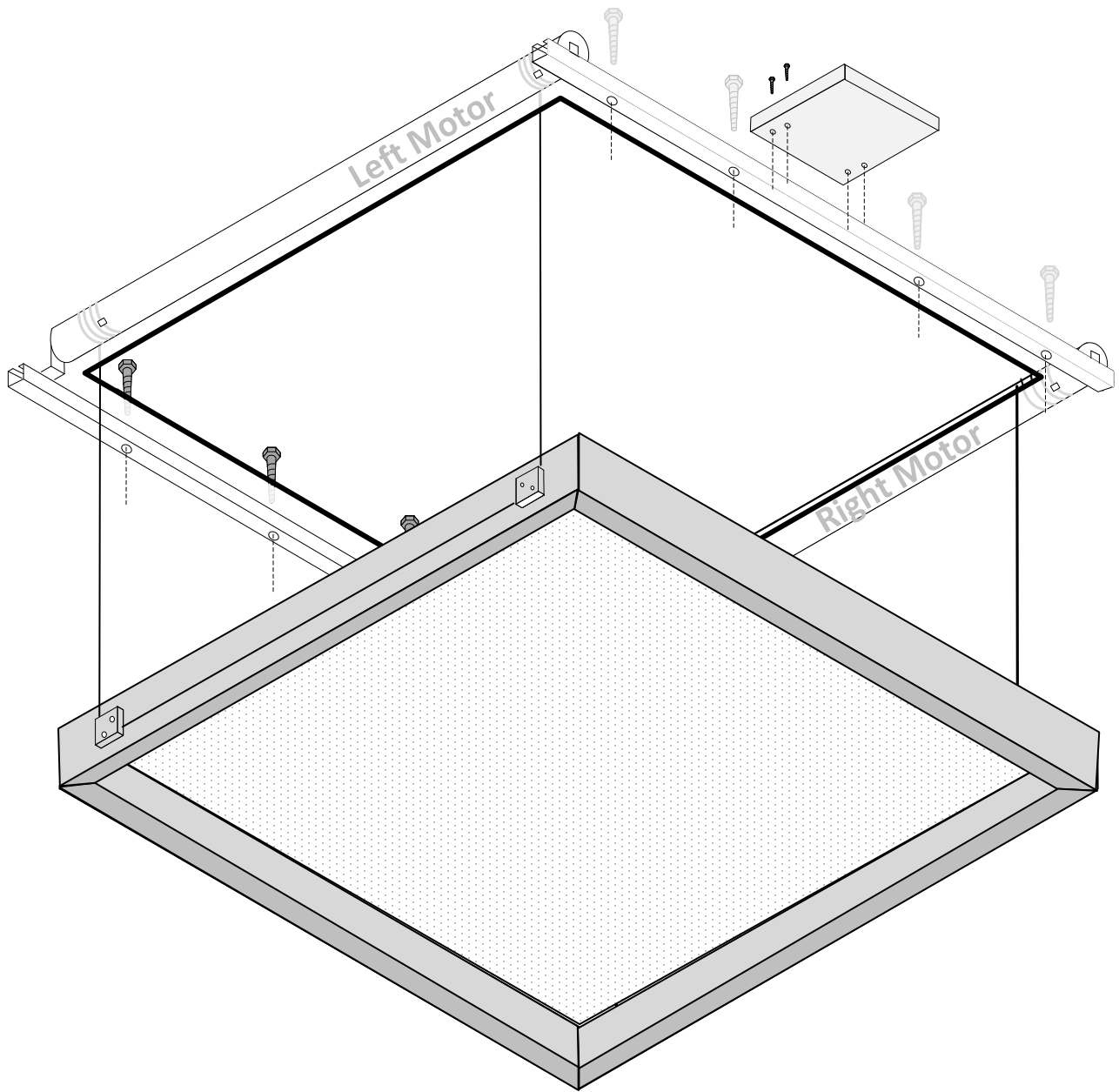


CAUTION
Stay away at least 3 feet during lifting

CAUTION
Max Load 400 lbs.

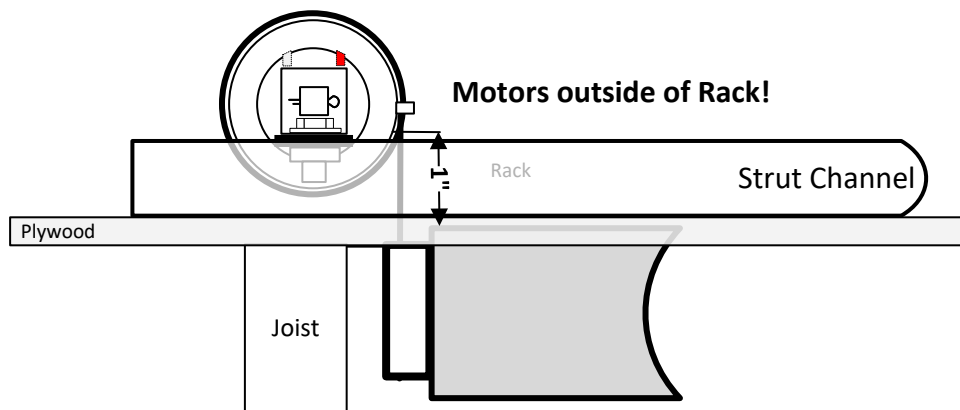
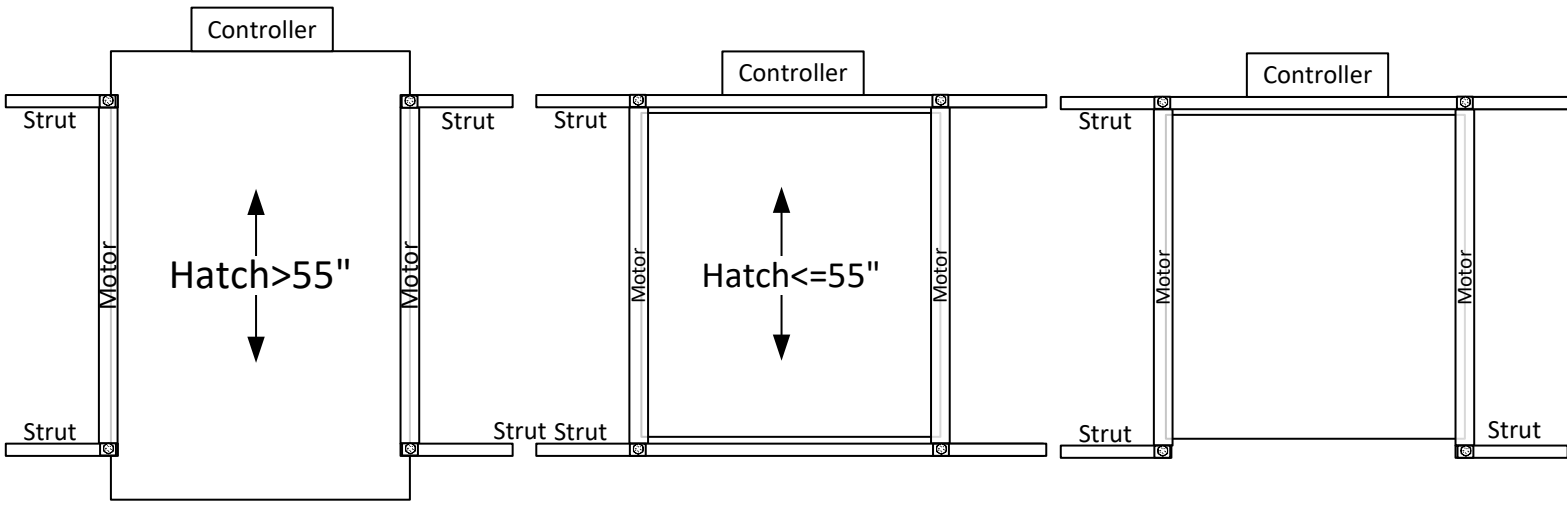
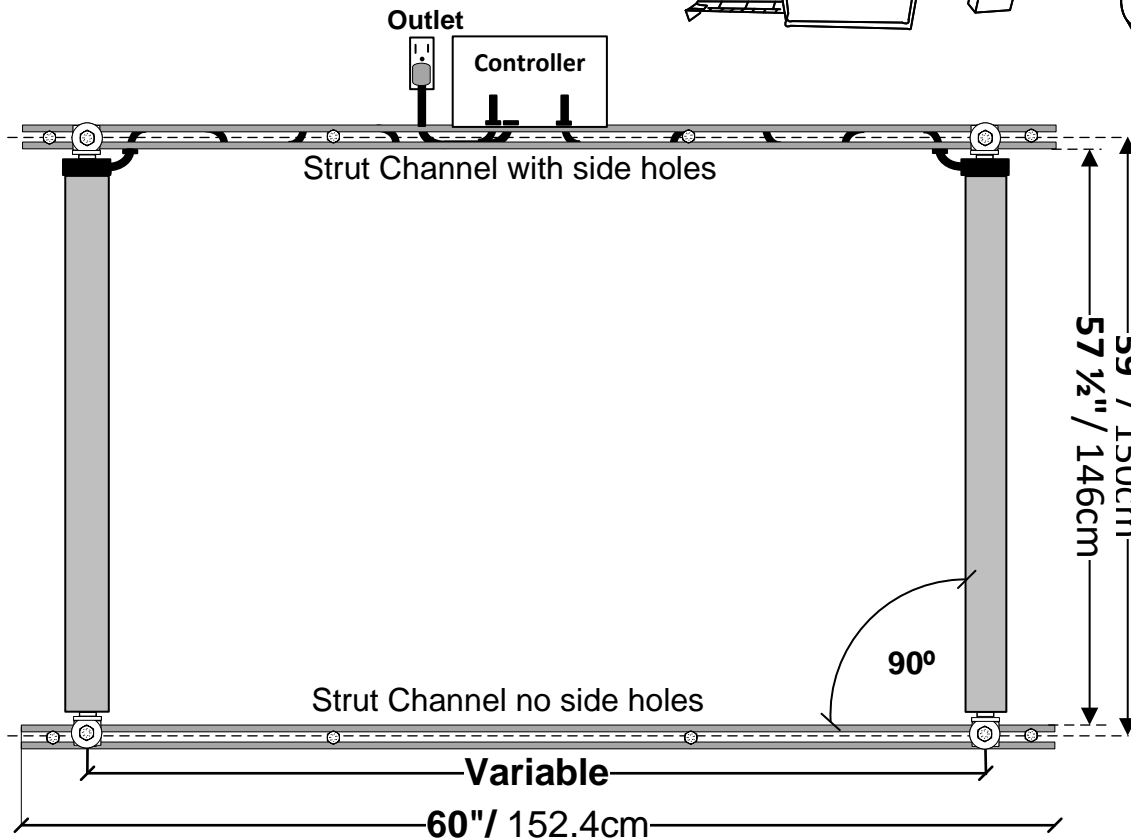
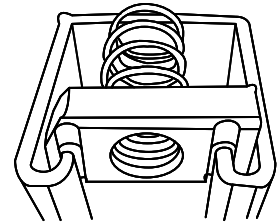
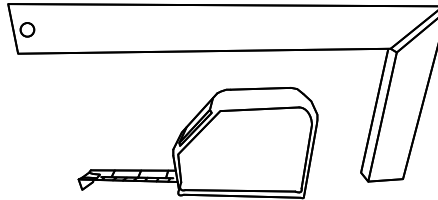
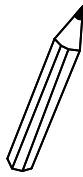
WARNING
This equipment presents serious injury hazards to operators. Read through this entire manual to become familiar with the controls and operations before starting the equipment.

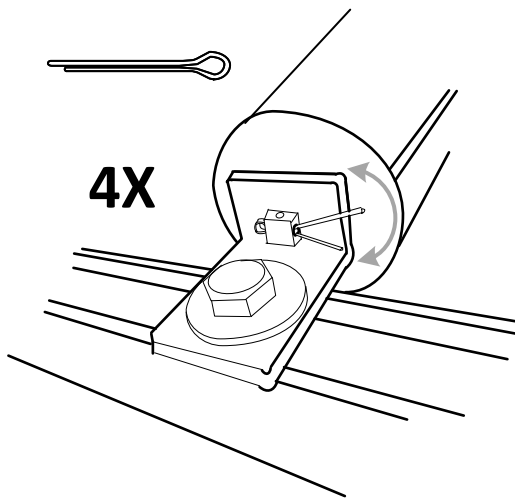
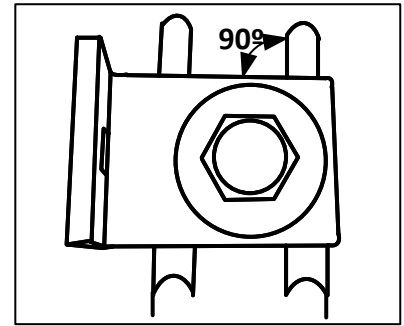
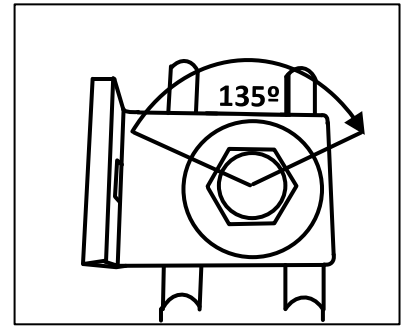
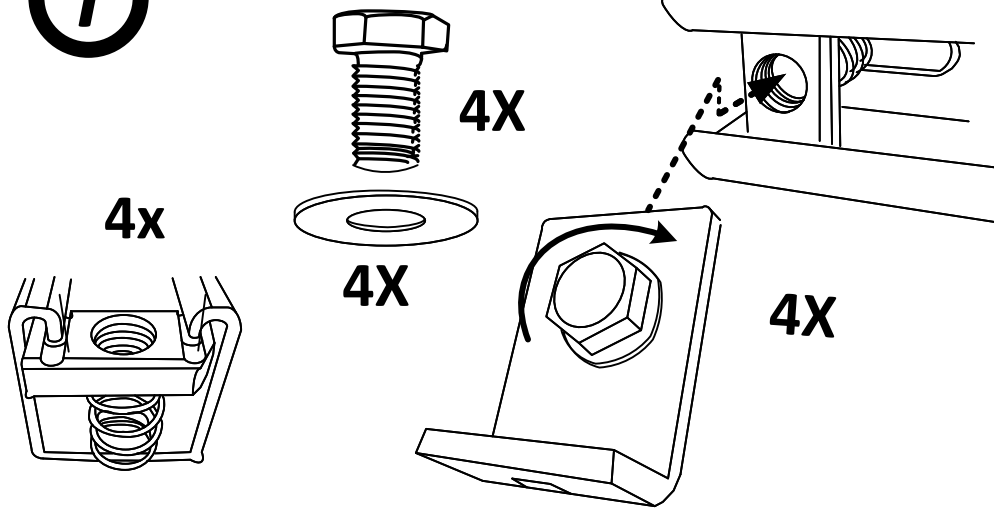
WARNING
Watch for ceiling, floor and wall Clearance.



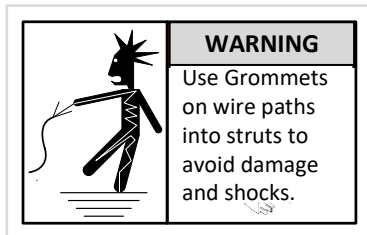
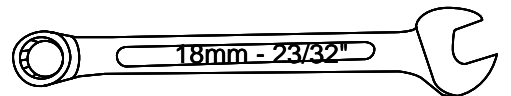
i Information

t Troubleshooting

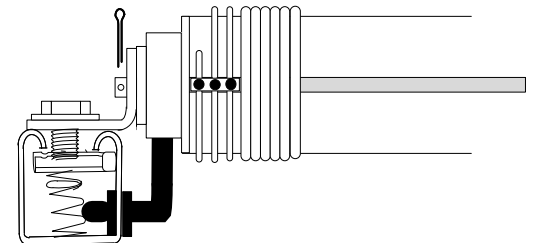
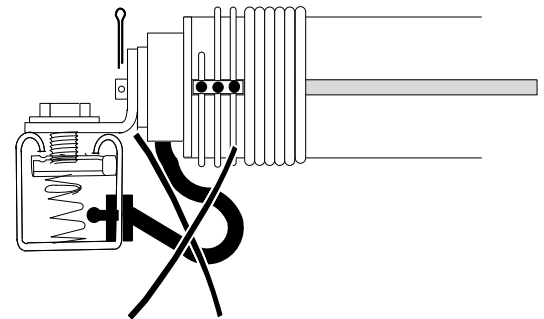
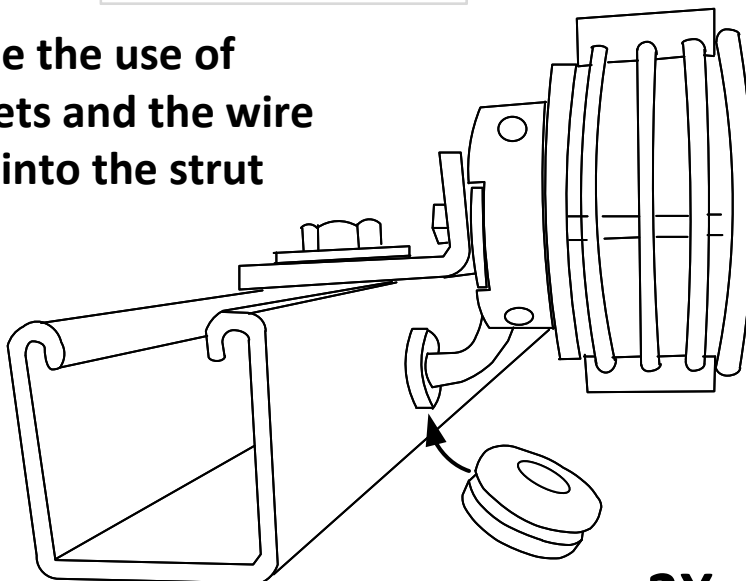




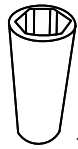
Tighten screw until the washer no longer rotates. Then tighten screw another 135° in the same direction.



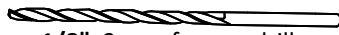
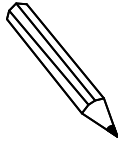
Note the use of grommets and the wire path into the strut



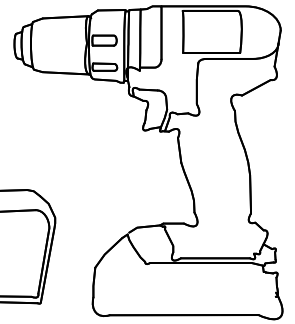
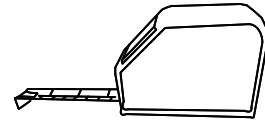
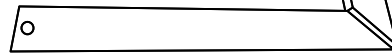
2X



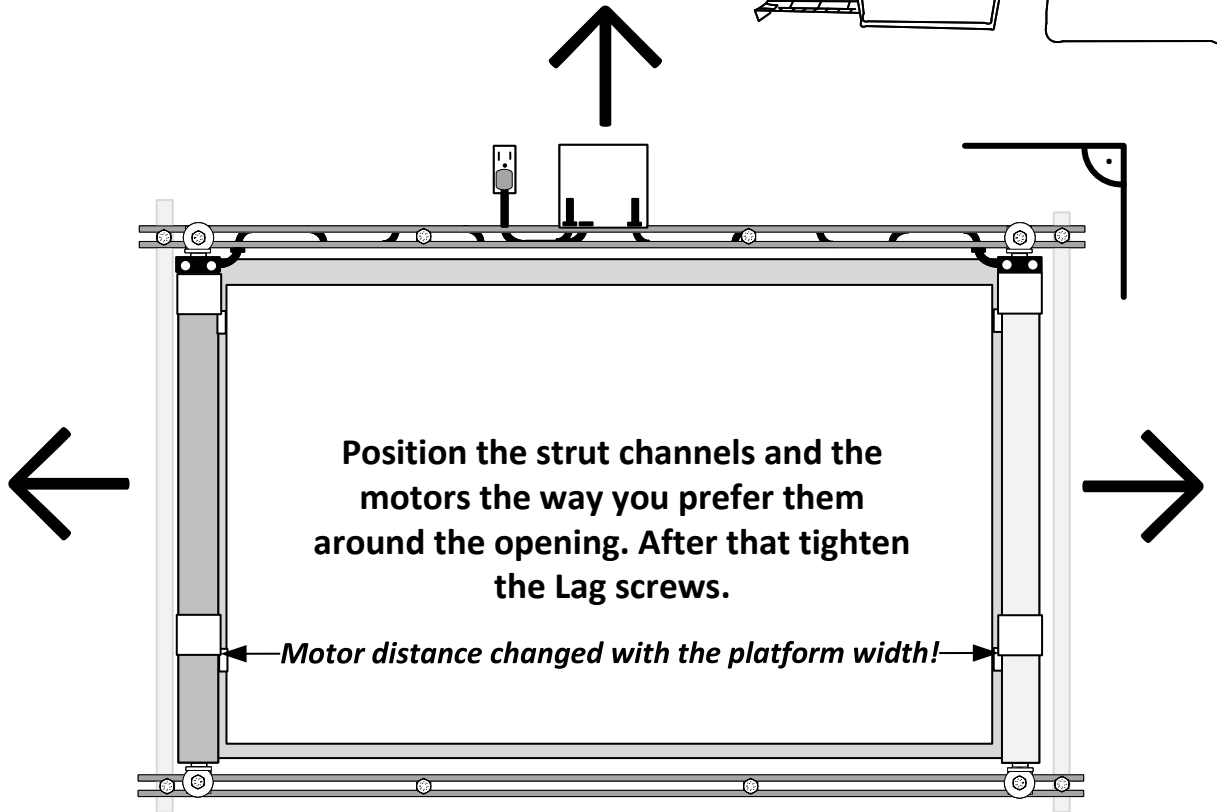
7/16"
11mm



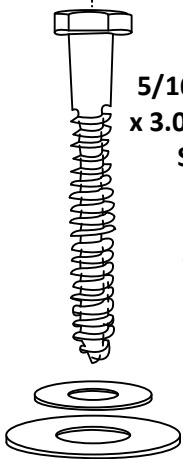
1/8" 3mm for pre-drill



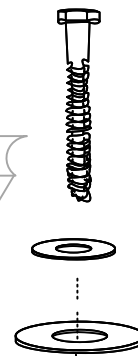
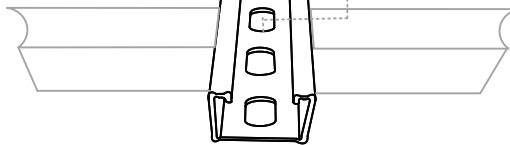
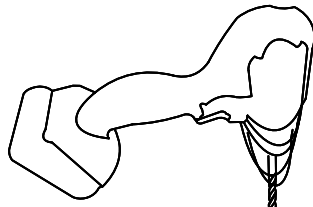
Motor distance = X + 3" (400 lbs.)



Strut channels
1x with side holes
(Controller side)
1x no side holes



8X



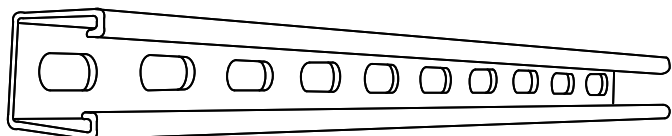
! Tighten screw until the washer no longer rotates. Then tighten screw another 10° in same direction.



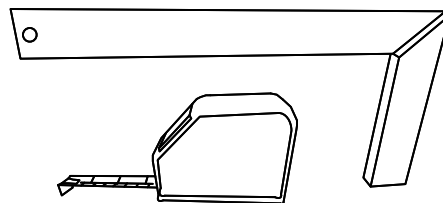
Variable

1

Strut Channels



2X



2X

Warning!

DO NOT use an Impact Driver to tighten the Lag screws!
Tighten screw until the washer no longer rotates.

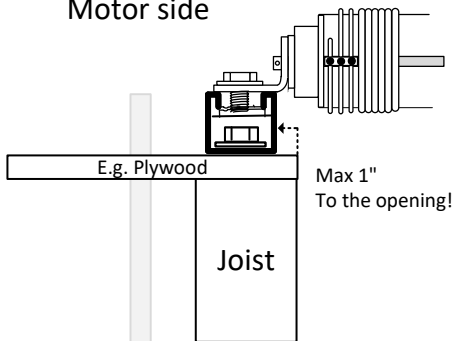
Then tighten screw another 10° in same direction.



1/8" / 3mm
(For pilot hole)



Motor side

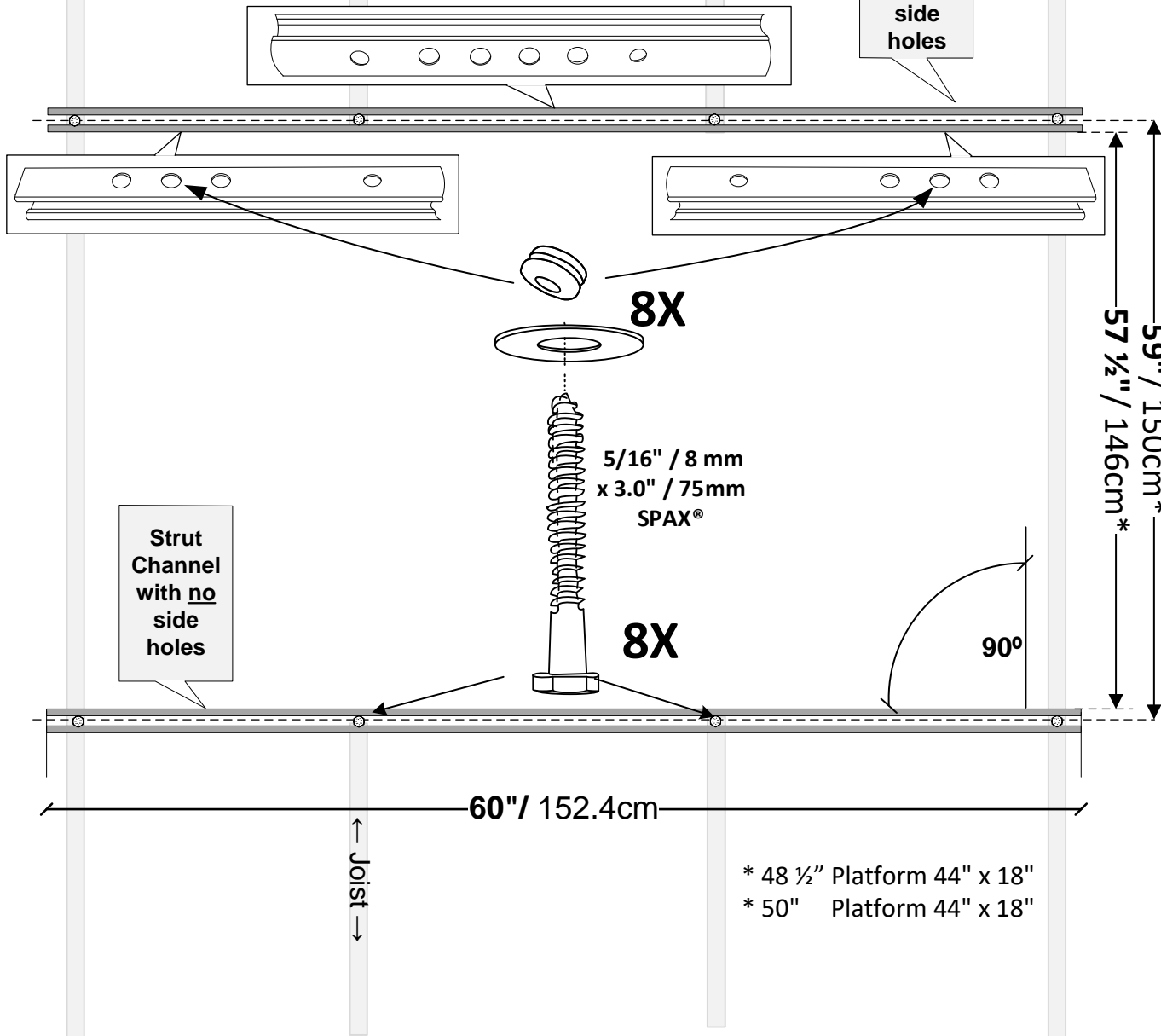


Outlet



Strut Channel (Controller side)

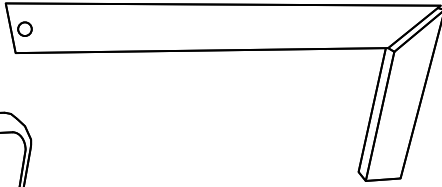
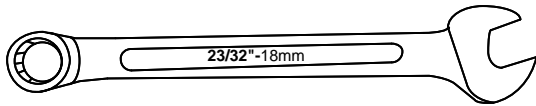
Strut Channel with side holes



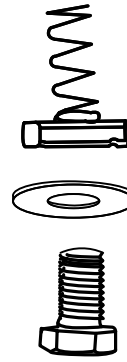
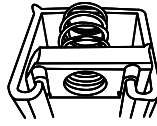
* 48 1/2" Platform 44" x 18"
* 50" Platform 44" x 18"

2

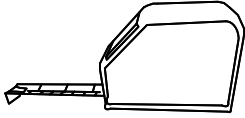
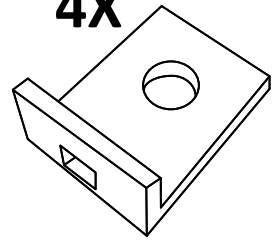
Motors



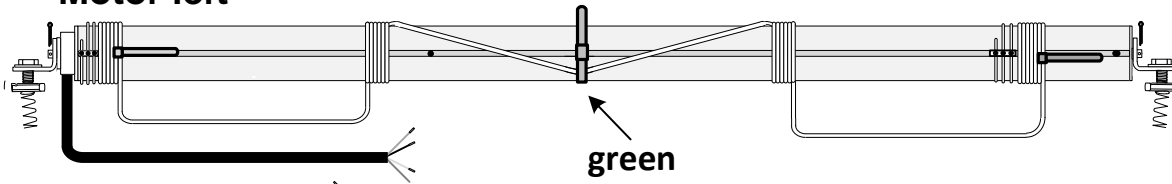
4X



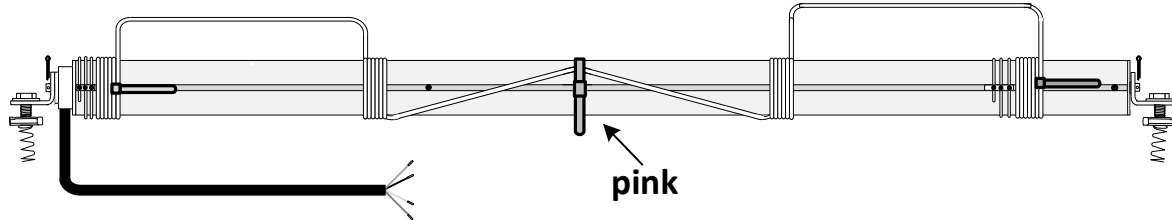
4X



Motor left



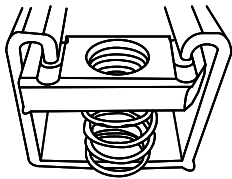
green



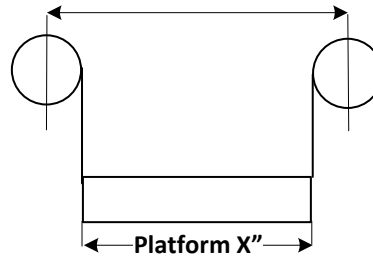
pink

The black cables that come out of the motors needs to come straight down towards floor.

4x

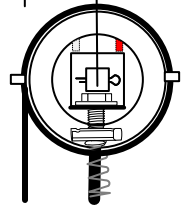


Motor distance = $X + 3$ " (400 lbs.)



Platform X"

400 lbs. 1.5"
600 lbs. 2"



Motor right

Motor left

60" / 152.4cm

Motor distance changed with the platform width!
(Platform width + 3" / 400lbs motors, + 4" / 600lbs motors)

Rail

Motor

Motor

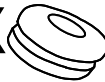
Green cable tie

Red cable tie

left

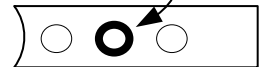
right

2X



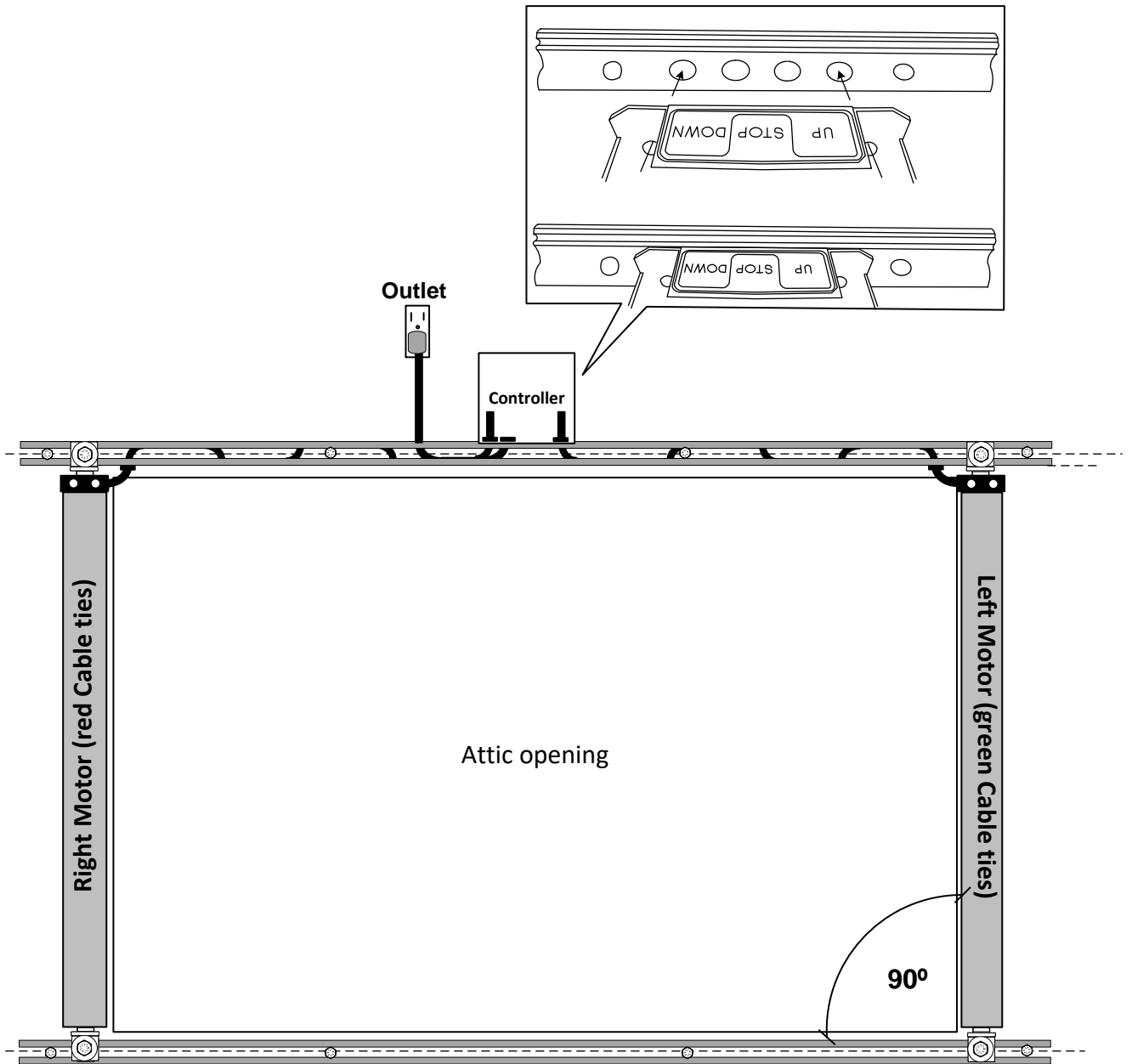
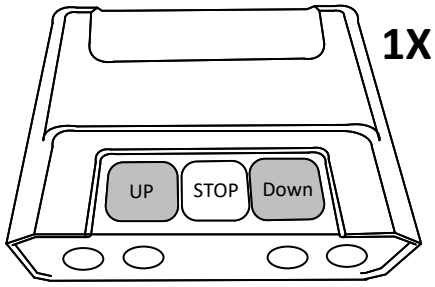
Controller

Outlet



3

Controller

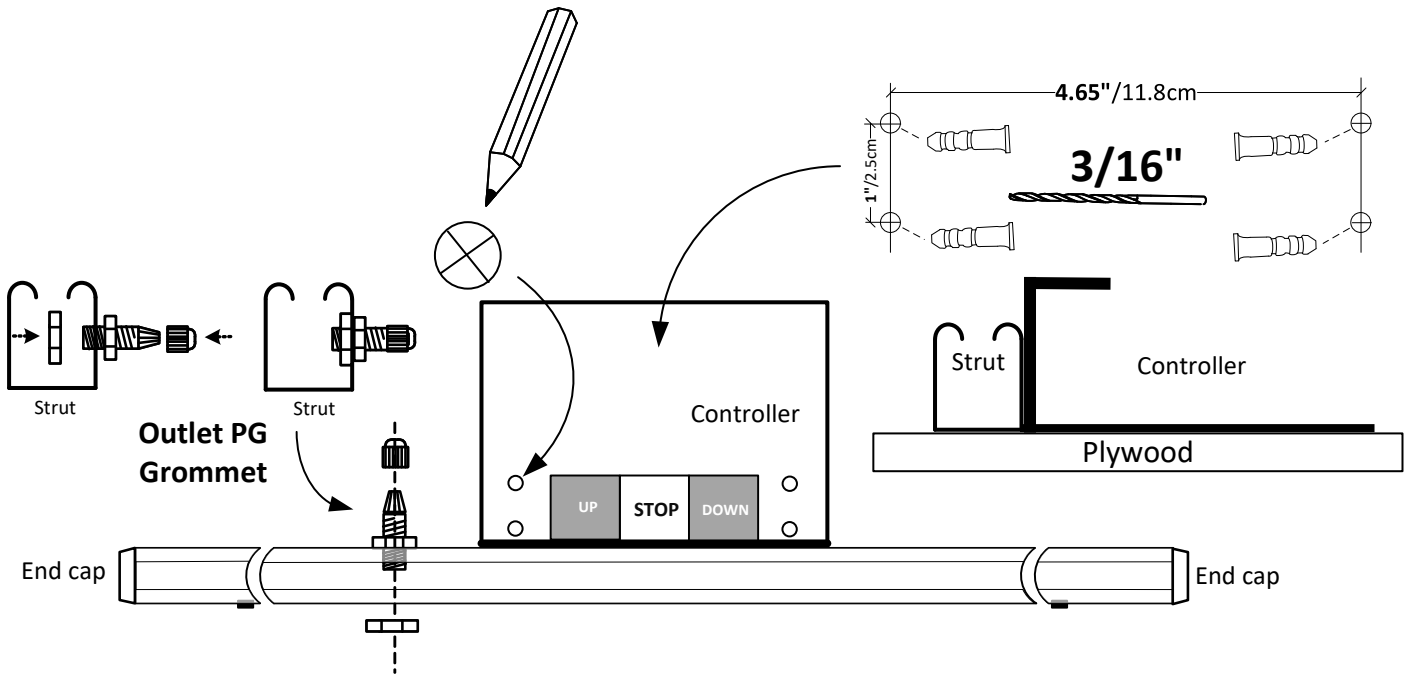
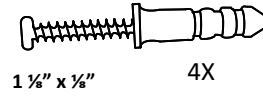
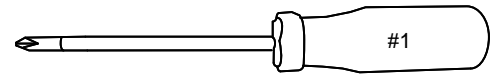


4

Controller

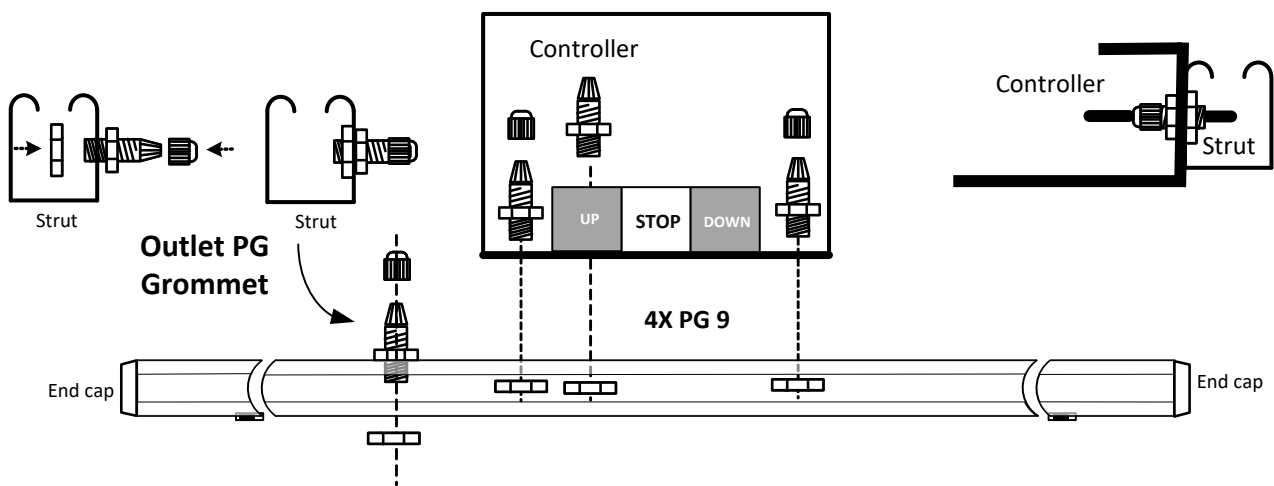
CONTROLLER MOUNTING OPTIONS

If Drywall/Concrete Ceiling:



- Use anchors for dry wall/concrete ceilings
- For outlet, always use PG grommets!

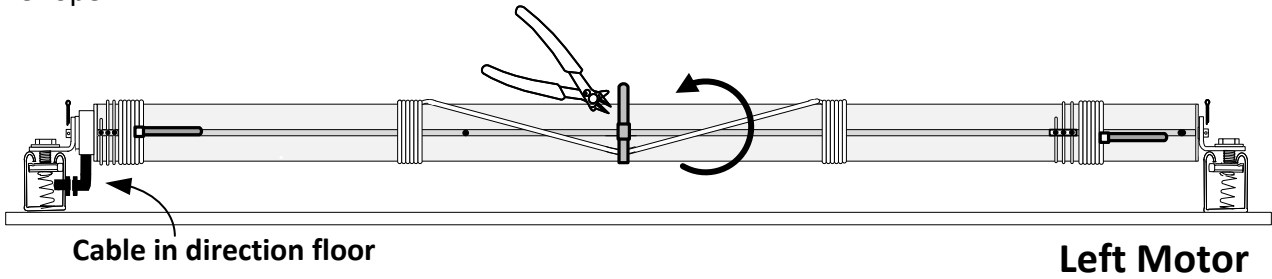
If NO Drywall/Concrete Ceiling (open ceiling):



- PG grommets: If you have only joists, not e.g. drywall.
- For outlet, always use PG grommets!

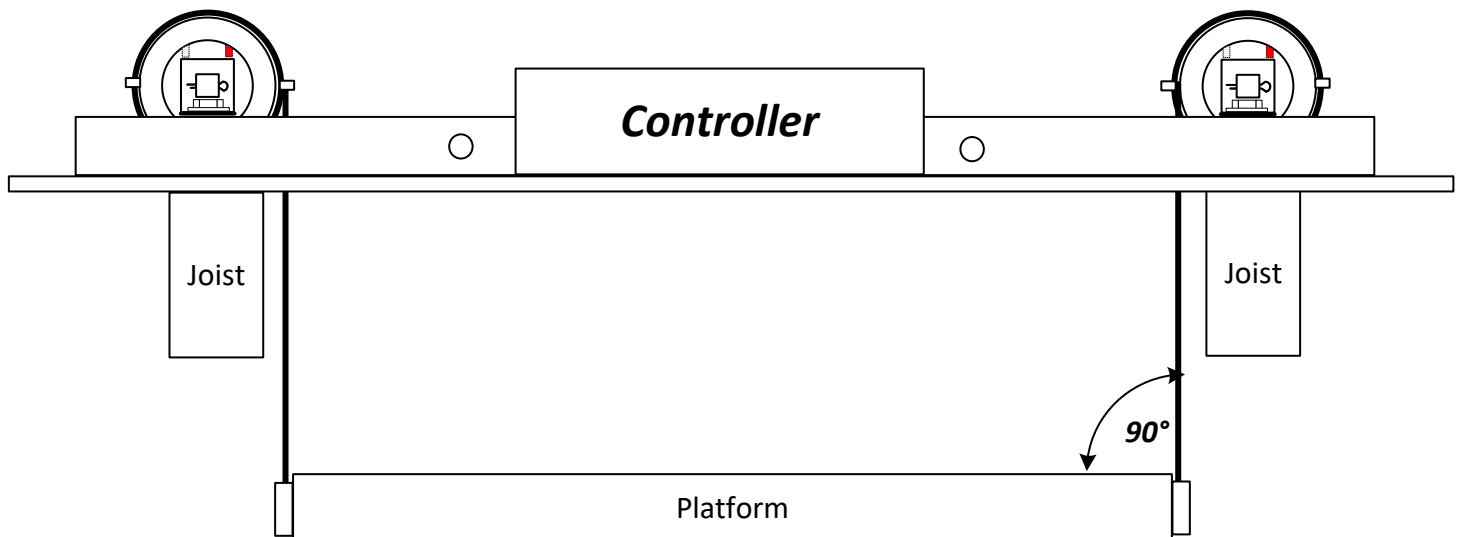
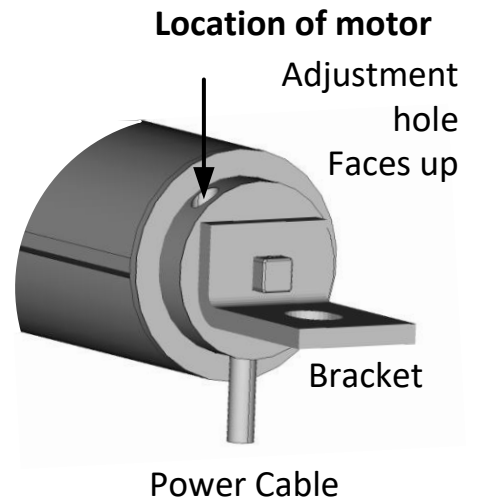
6

Wire rope



After cutting the middle cable tie, the wire rope must be unrolled from the tube until it stops due to the other remaining cable ties.

The black cables that come out of the motors needs to come straight down towards floor.

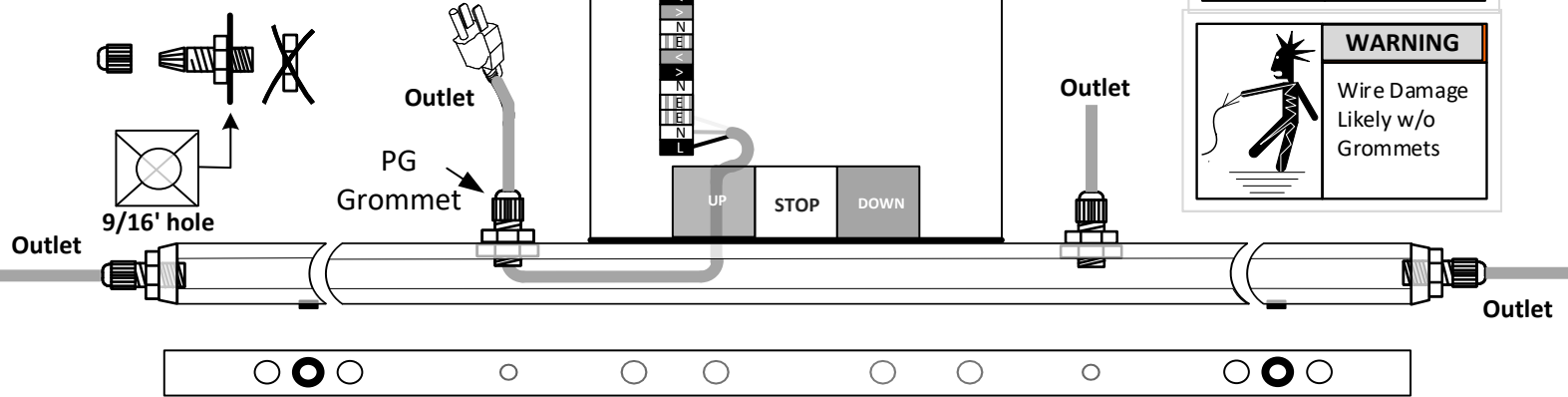


5

Wiring

Controller wiring

Several options are available to route the power cable to the nearest outlet.



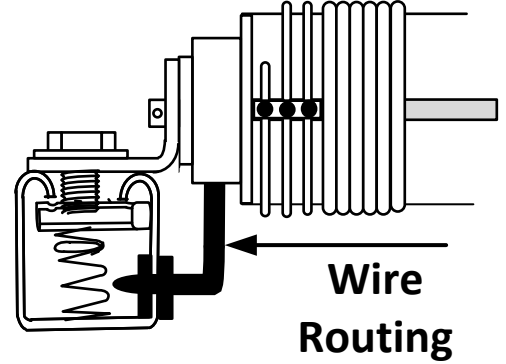
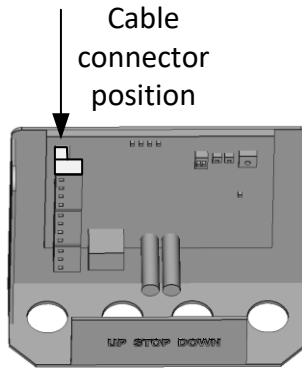
WARNING

Shock Hazard
Disconnect power before working on wiring

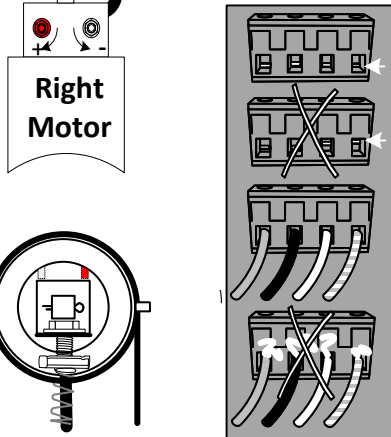
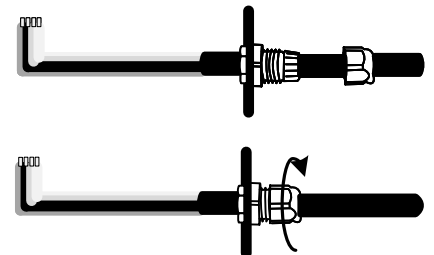
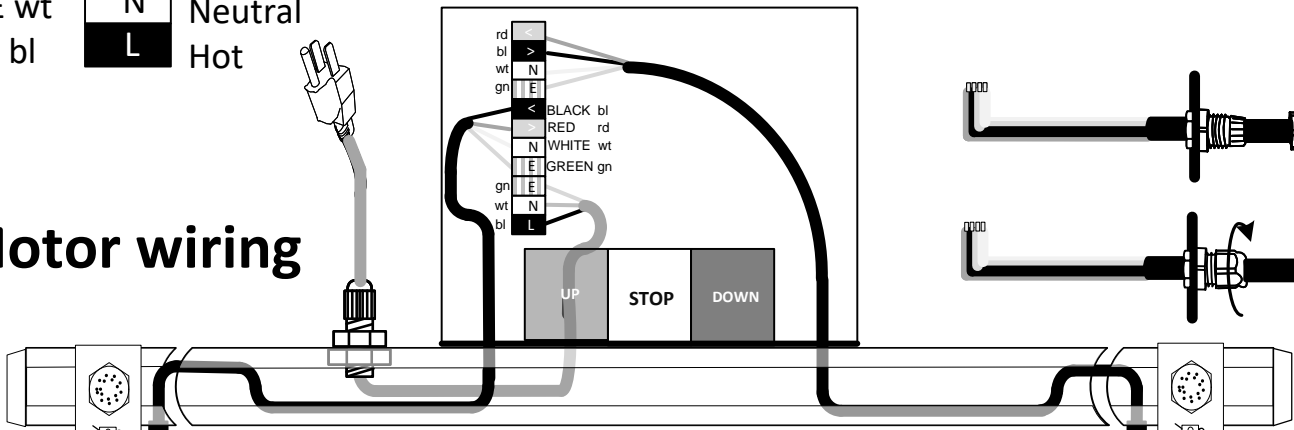
WARNING

Wire Damage
Likely w/o Grommets

| | | | |
|----------|---|---------|-------------|
| RED rd | < | Down | Left Motor |
| BLACK bl | > | UP | |
| WHITE wt | N | Neutral | Right Motor |
| GREEN gn | E | Earth | |
| BLACK bl | < | Down | Left Motor |
| RED rd | > | UP | |
| WHITE wt | N | Neutral | Right Motor |
| GREEN gn | E | Earth | |
| GREEN gn | E | Earth | Left Motor |
| WHITE wt | N | Neutral | |
| BLACK bl | L | Hot | Right Motor |

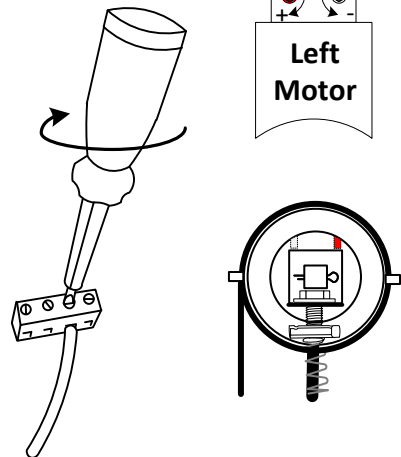


Motor wiring



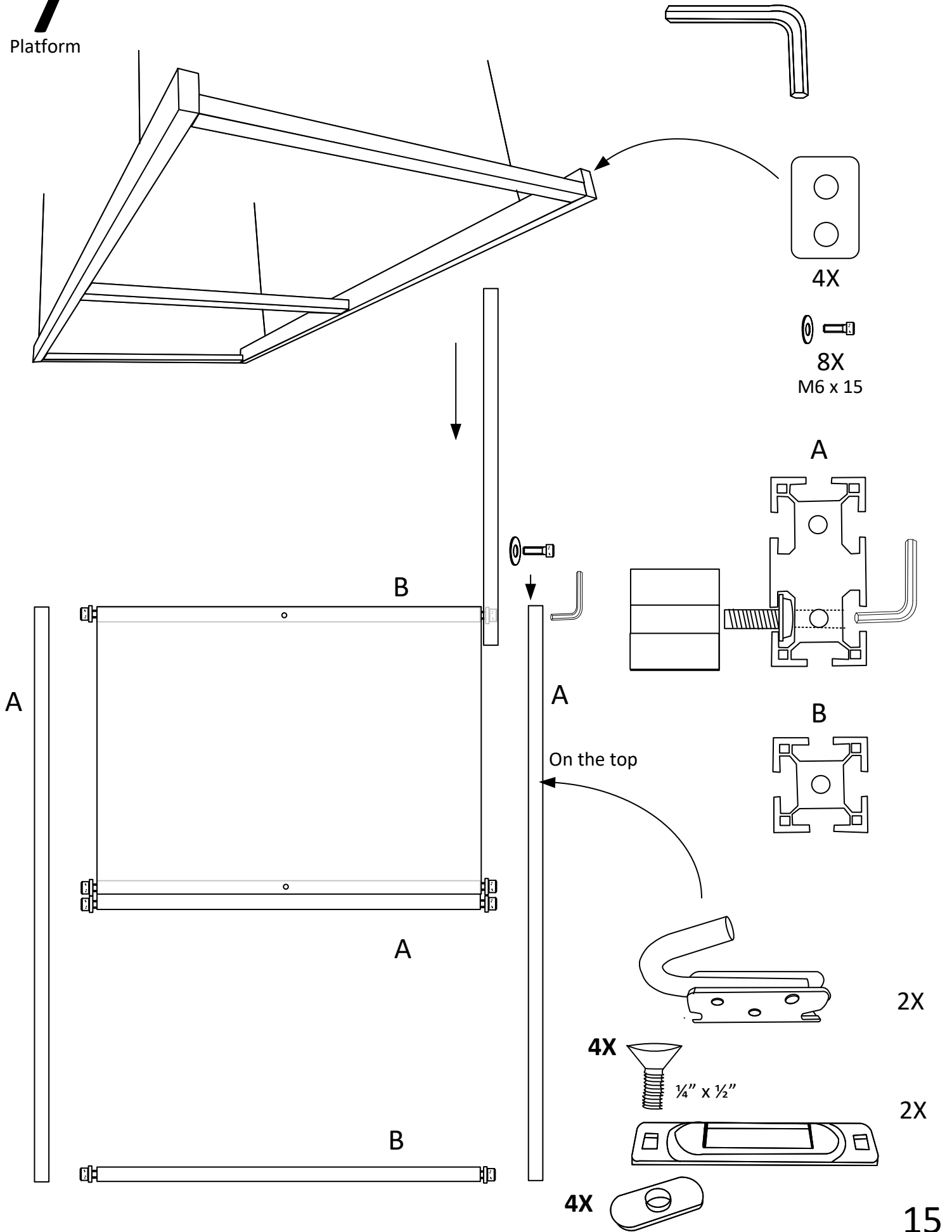
Before connecting to the outlet, make sure that all wires are tightly connected

Wires are connected by tightening binding screws on the top of the green motor connector blocks



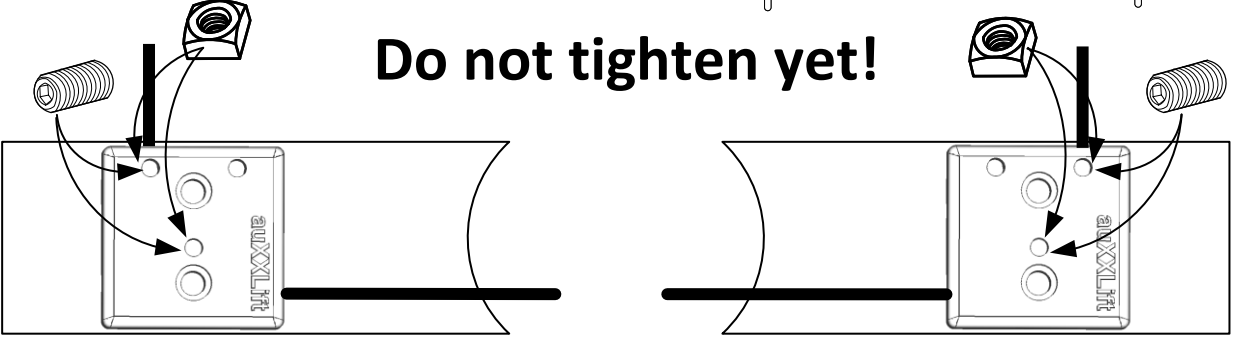
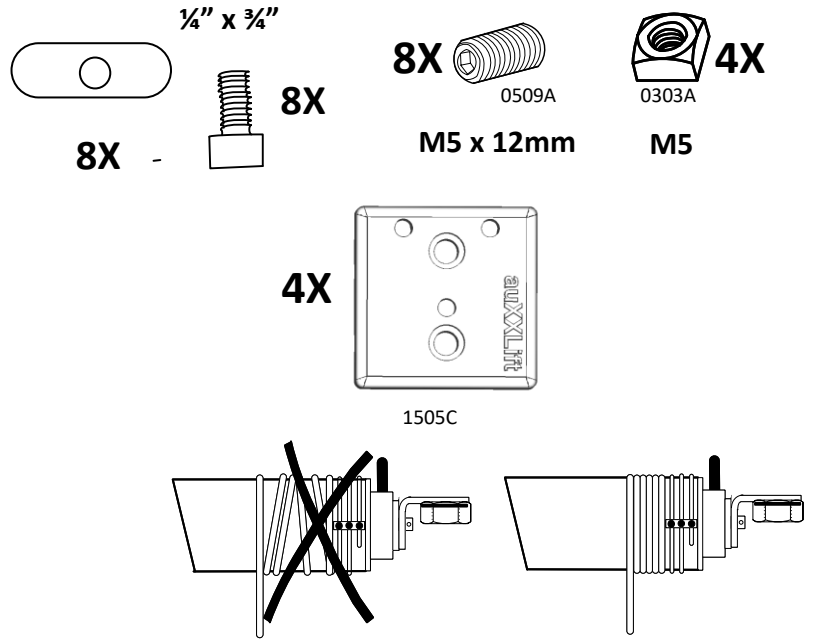
7

Platform

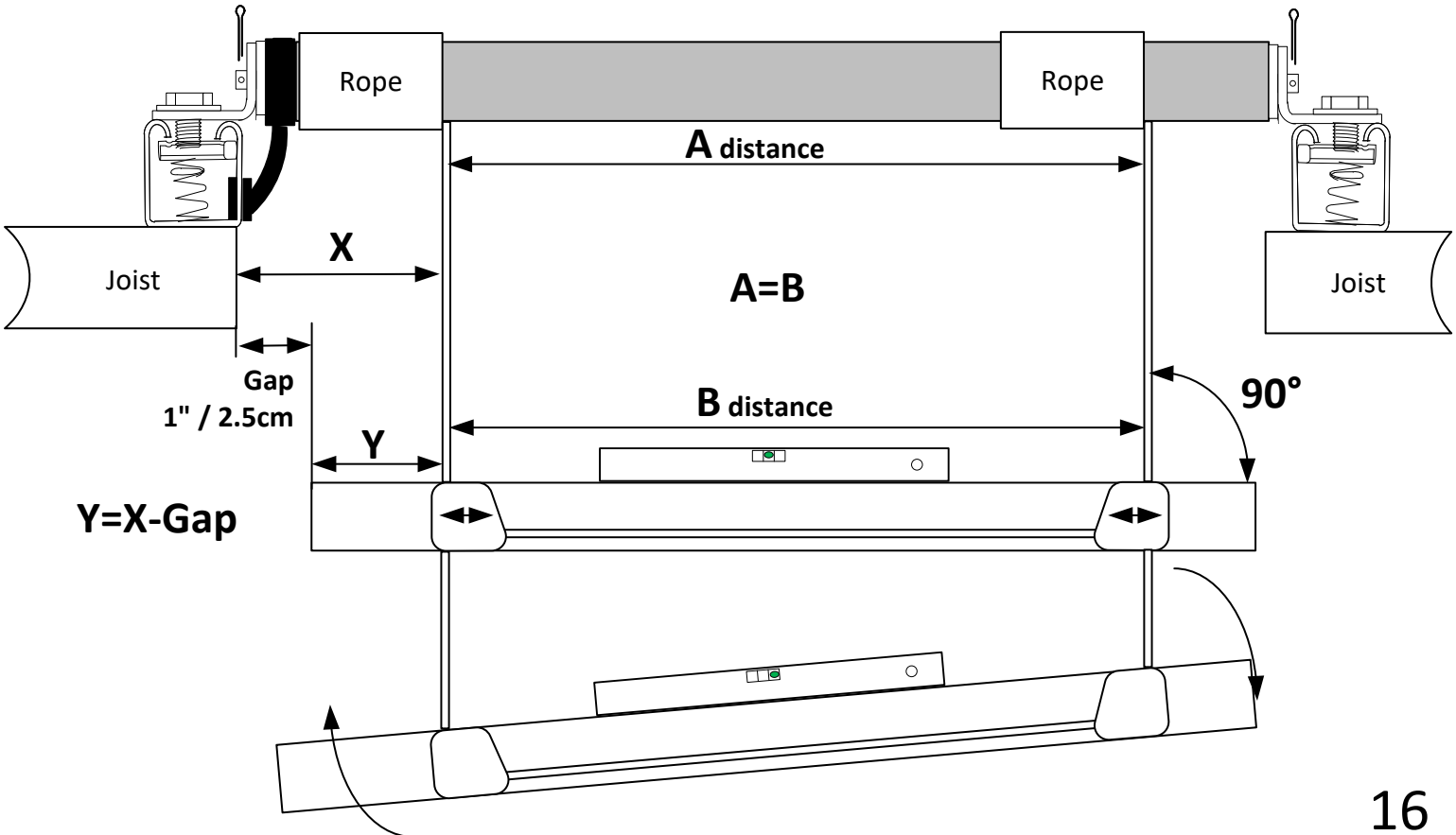


8

Rope holder

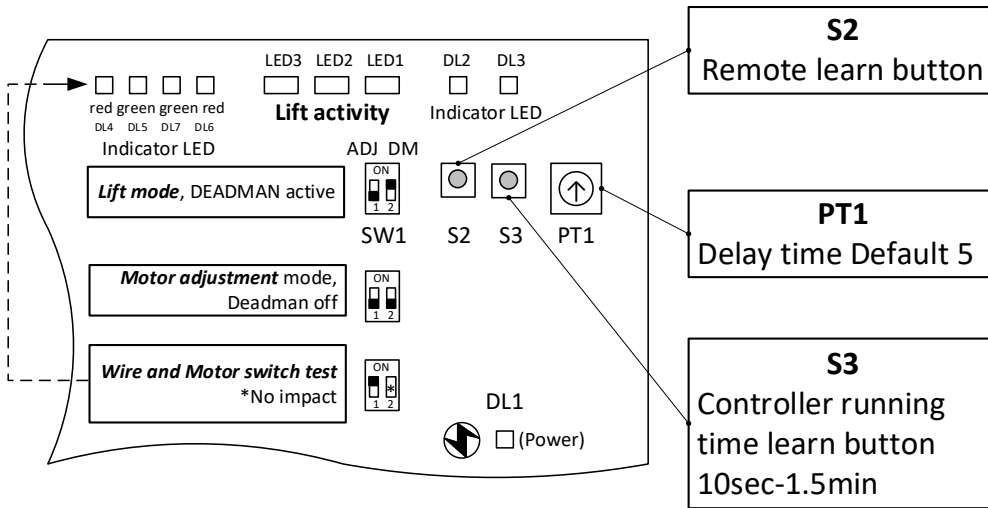


Important: Platform adjustment to the opening!





Motor Adjustment (leveling), Preparation

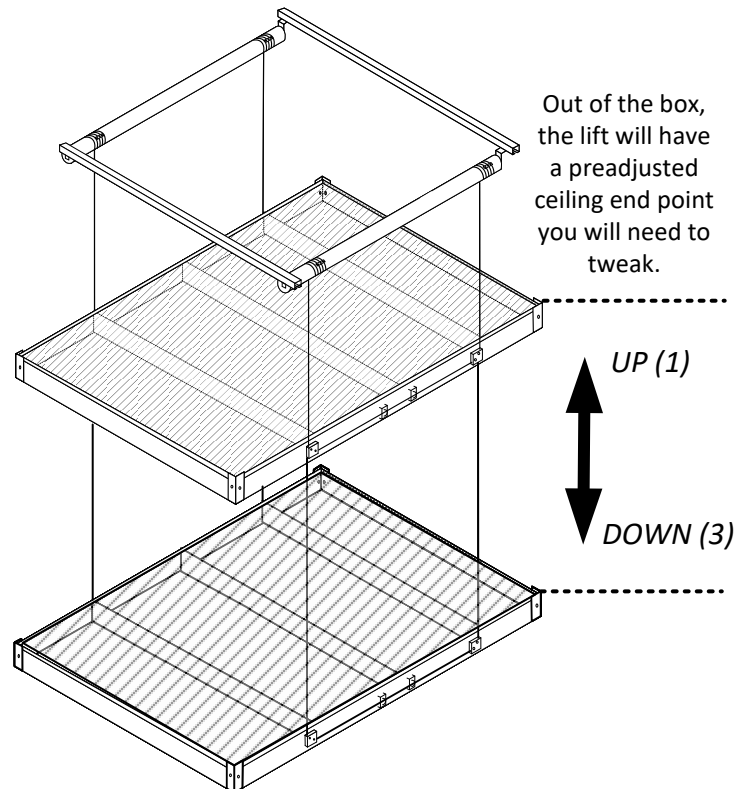
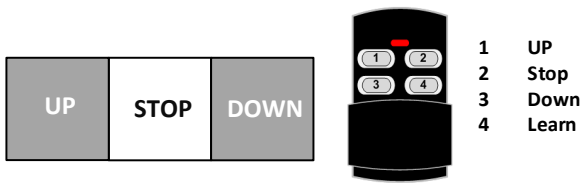


DeadMan off- press key (up/down) once and the lift runs. Press STOP 2 This function for adjustment only!

**Do not use PT1
S2 and S3 for
adjustment!**

Most important! All switches work the same way, even though their labeling is different. Before you start to turn the stop (motor limit) switches, please be sure that you are turning them in the right direction!

Controller Keys



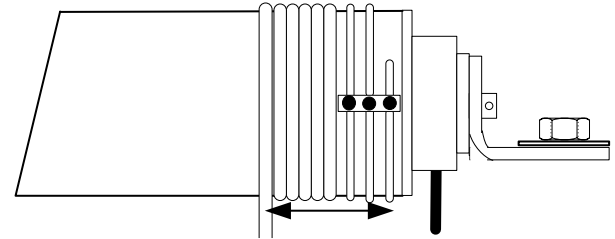


Motor Adjustment (leveling), Preparation

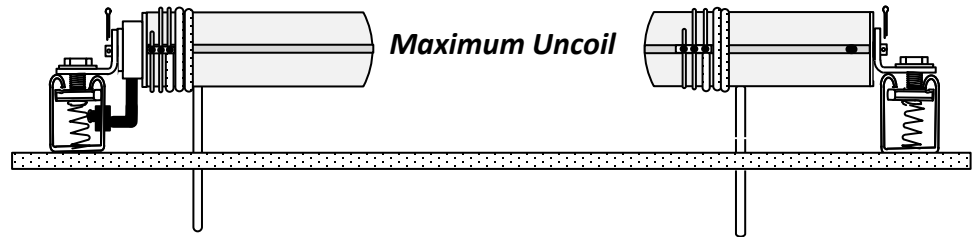
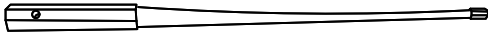
Technical information for 400 lbs lift

| | |
|-----------------------|-------------------------------|
| Max travel is | 15.4 feet/ 4.70m & storage |
| 1 tube rotation | 12 turns on the stop switches |
| 1 tube rotation | 9" / 22cm |
| 1 turn on stop switch | 3/4" / 2cm |
| Smallest movement | 1/16" / 1mm |
| Movement Rack 14'* | 4" / 10cm |
| Switch turns | 250 |
| Travel speed | 8'/min |

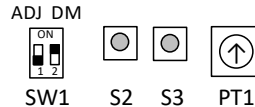
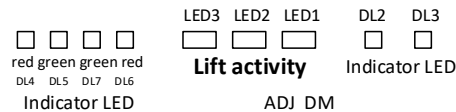
*Movement Rack



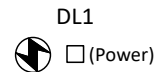
Only turn the switches by hand with the tool provided
Stop turning immediately if you feel a mechanical click in the switch when turning.



Adjustment is only possible with the **DeadMan switch OFF**, and after a motor limit has been reached or lift is stopped manually (white LED lights on controller are lit and stay on).



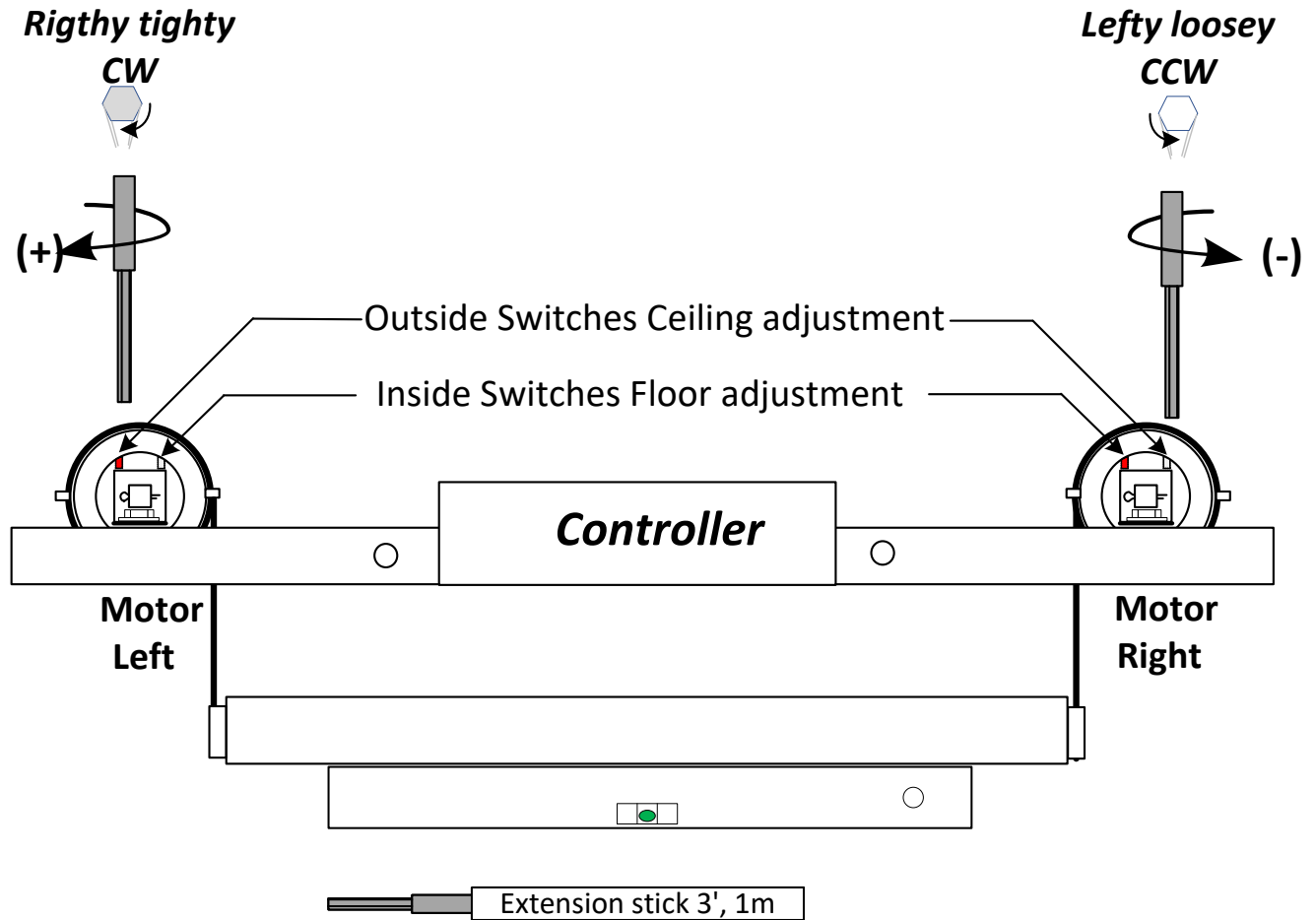
After adjustment you **MUST** switch the **DeadMan** back on. It's for your safety!



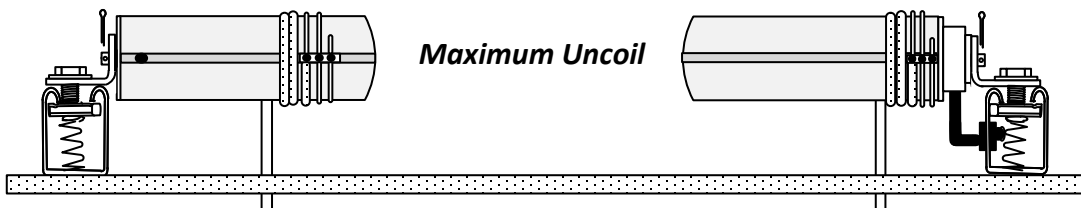
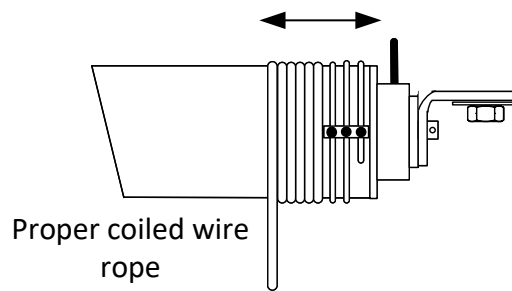
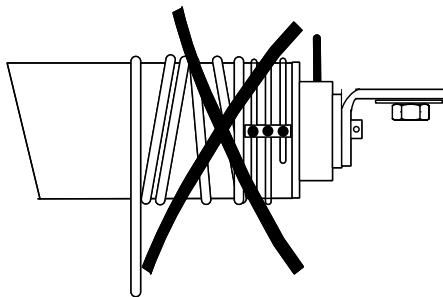
DeadMan Function: You use only the UP and DOWN buttons. You have to hold the button to make the lift move. When you release the button the equipment will stop immediately. If a key gets jammed you can stop the equipment with the stop button.

12

Adjustment hints



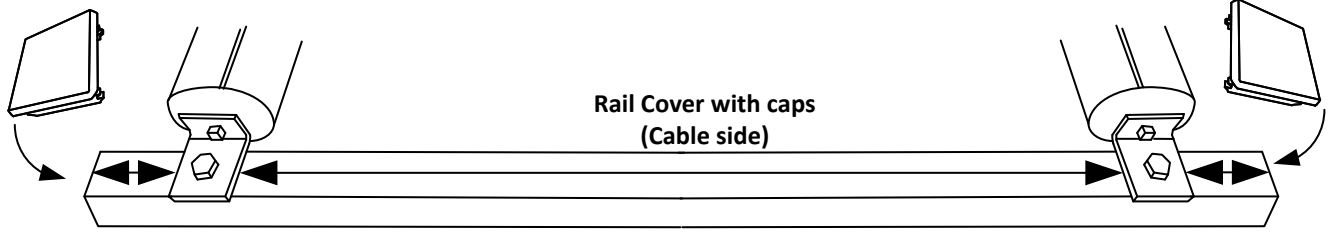
With an extension stick you can easy adjust the motors from the floor!



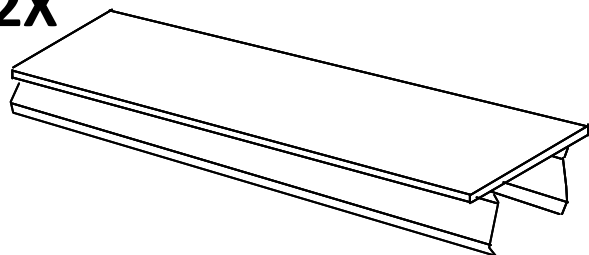
15

Strut Cover

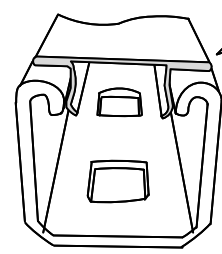
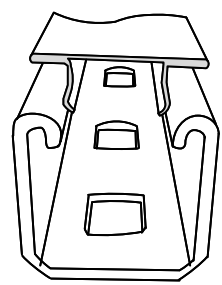
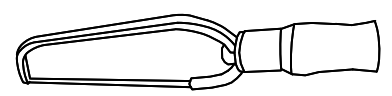
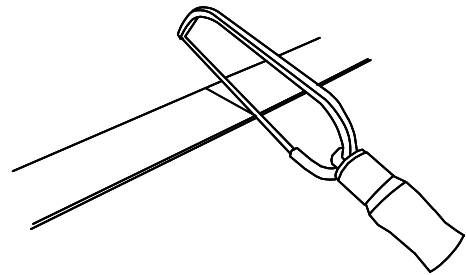
4X



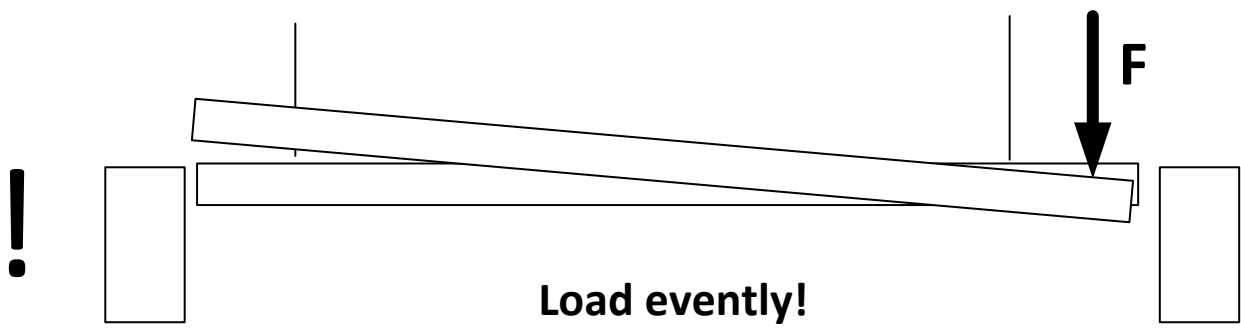
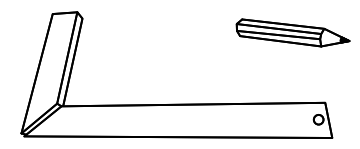
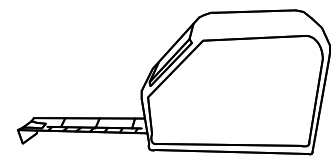
2X



5'/150cm



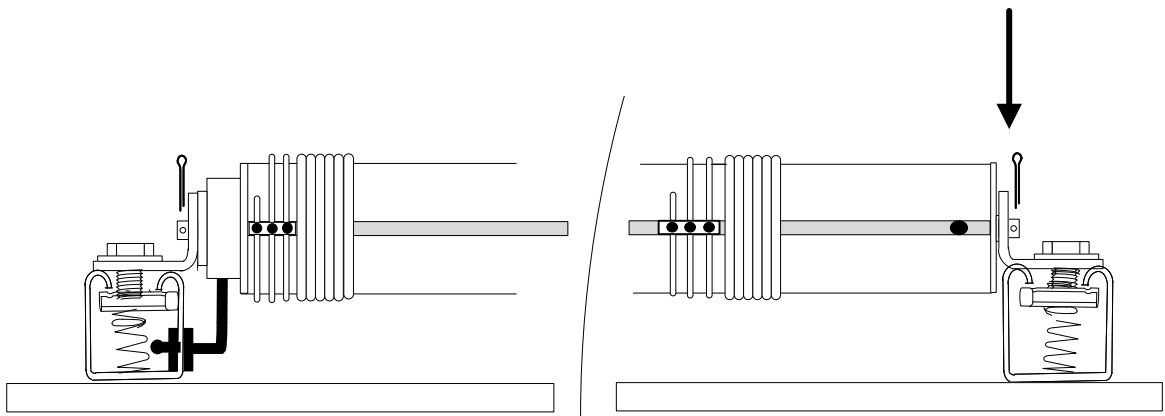
Click



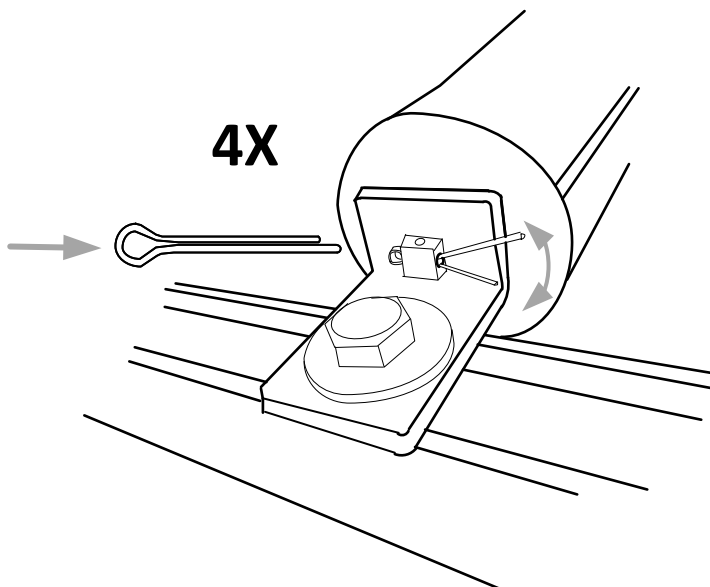
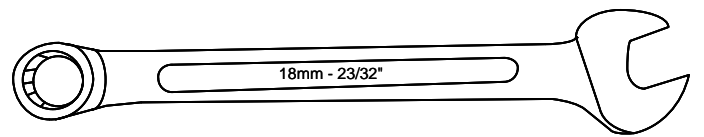
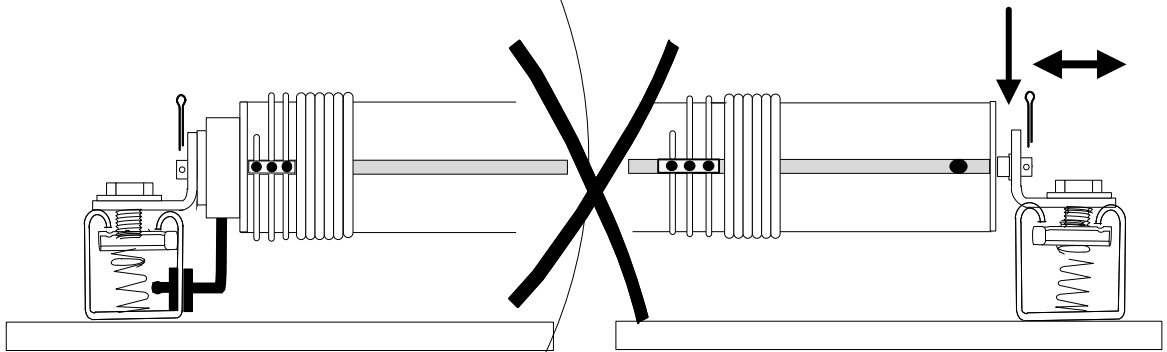
If you are done with the adjustment, please switch the DeadMan function back on
Important! The Lift has to run to the ceiling end points (stopped automatically) in order to be leveled properly.

Inspection

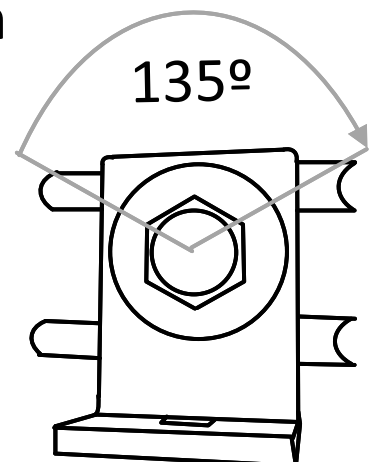
Inspect and tighten all screws, wire clips, grommets and cotter pins. Make an alignment mark on each part that might be able to shift over time (like the motor mounts) using a Sharpie pen. Inspect all items, especially movement on the alignment marks, once a year.



Gap not more than $1/16$ "/1mm



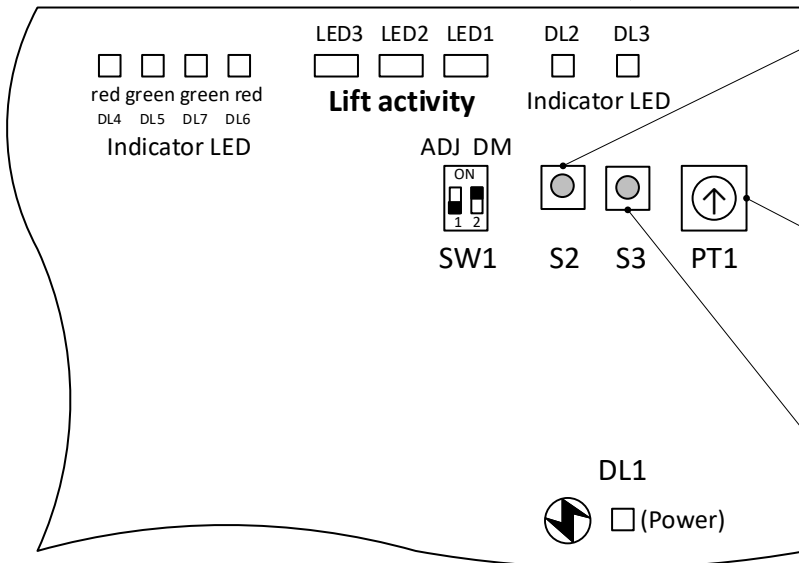
tighten





Running Time Preadjusted
for 1.5 min

DL3



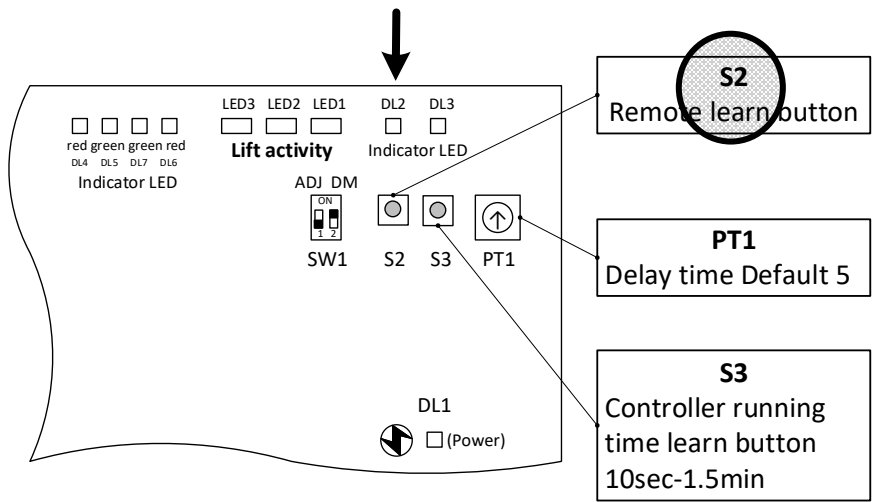
S2
Remote learn button

PT1
Delay time Default 5

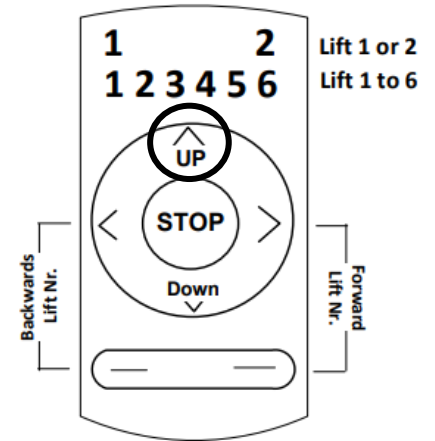
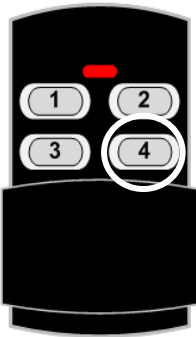
S3
Controller running
time learn button
10sec-1.5min

| Switch on Controller | Indicator |
|---|--|
| Switch on the Controller, press power switch to the left | LED DL1 is lit |
| Programming the running time | Indicator |
| Press S3 run time button | LED DL3 starts to flash after 3 sec. |
| Hold S3 for 1:30min (max running time) | LED DL3 flashed and stopped release key |
| (You can program time between 10s and 1:30min) release key | e.g press S3, LED start to flash, hold for 30s, Running time is 30s now |

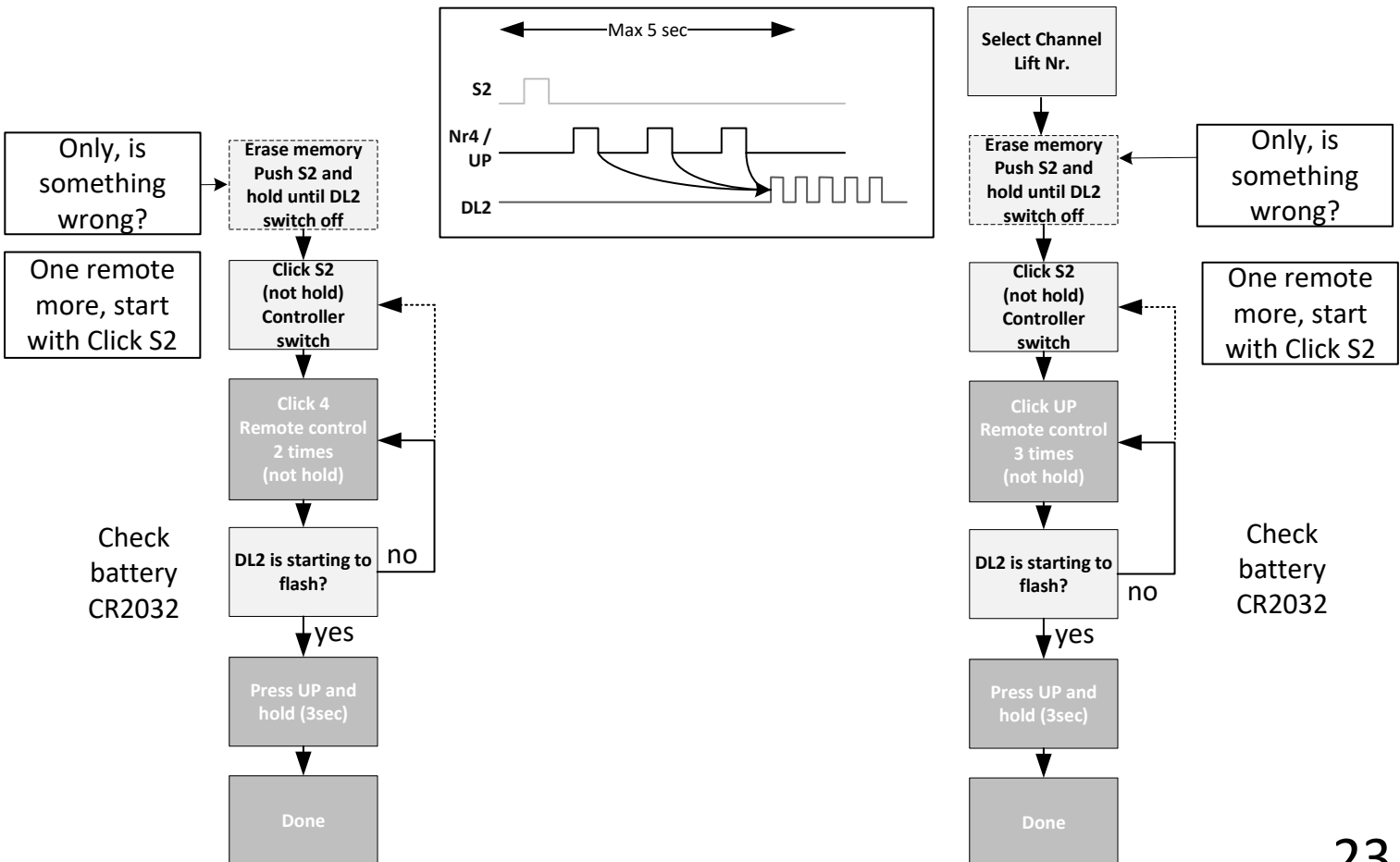
| Problems | Check |
|-------------------------------------|---|
| After switch on, LED DL1 is not lit | Is the plug connected to the outlet? Is the Outlet on a switch (and turned off)? Check the outlet works with an appliance. Check the wire connection. Disconnect the Controller from the outlet and check the fuses. |



- 1 UP
- 2 Stop
- 3 Down
- 4 Learn

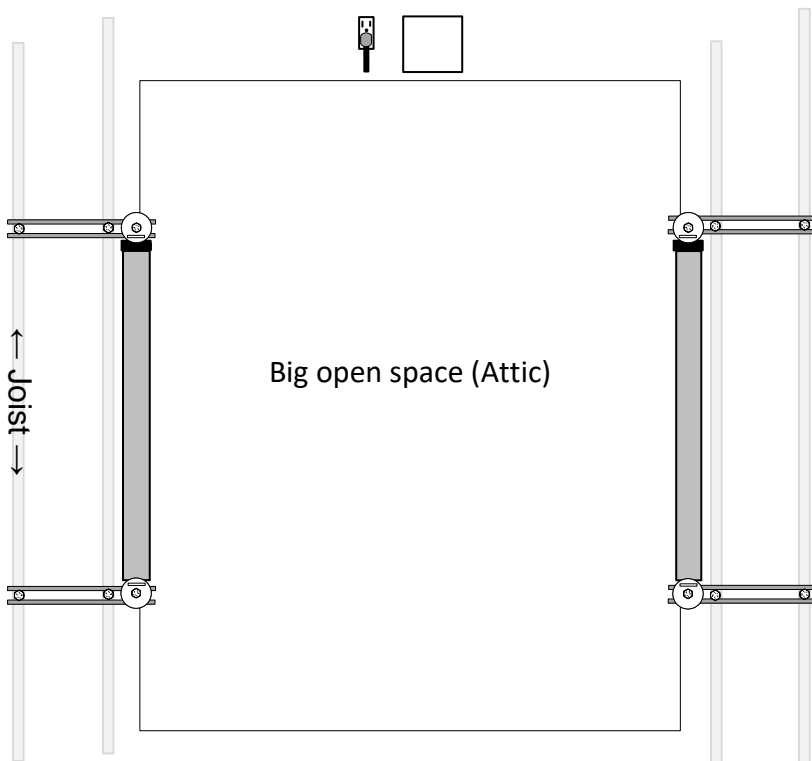
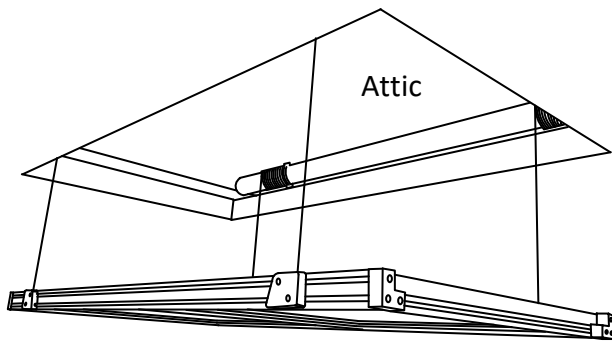
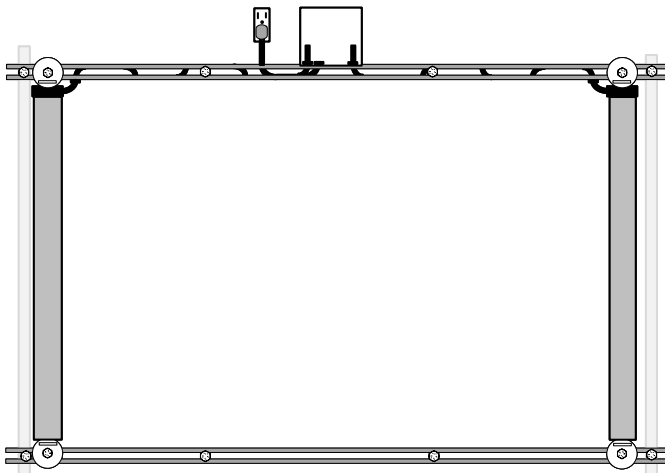


One Channel Remotes are Pre-set





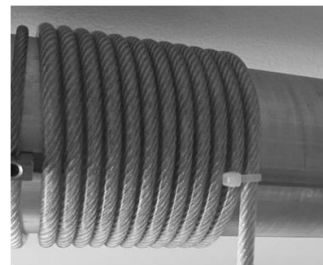
Options



Projects in which the wire rope lose tension



Wire rope wound up



Maximum unwound
Cable tie tightened around the last two turns



Even without tension the cable wraps are neatly side by side and no overlapping.