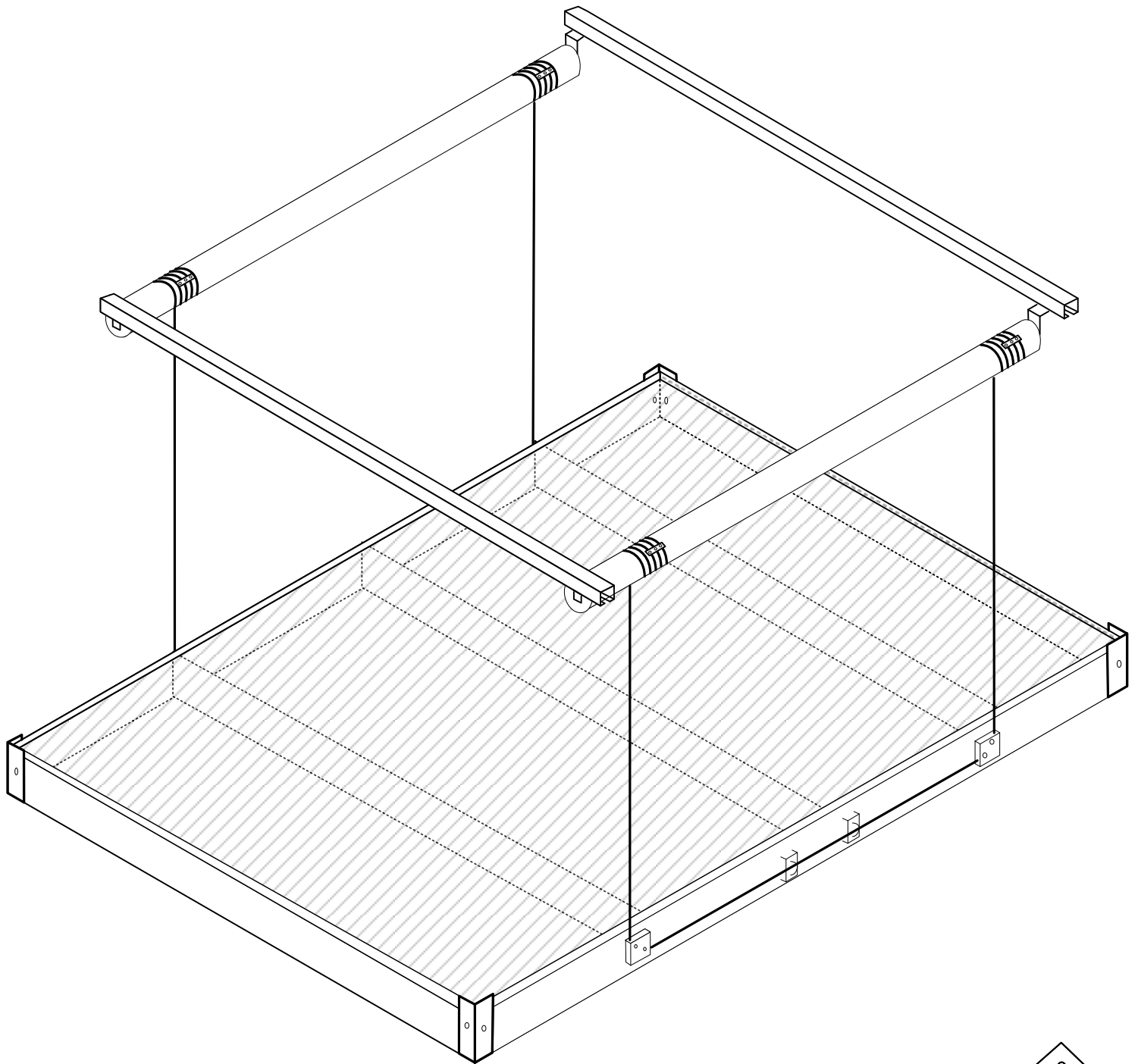


# Auxxlift 2400 and 2600

## Auxxlift 1800

adjustment  
(New Motor Head)



All rights reserved  
US Patent  
Release 07/2023/SW



Design and Quality  
AUXXLIFT of the USA

## Important information

The equipment is well-constructed and tested to safety

All parts will fit together

The motors are pre-adjusted for an easier adjustment

If one or more parts are altered we will void the warranty

*The equipment is tested to the UL requirement for lifting cranes*

Never cut the Wire rope

Never move the cable clamps on the tubes in a different position

After the install check all the screws and tightness

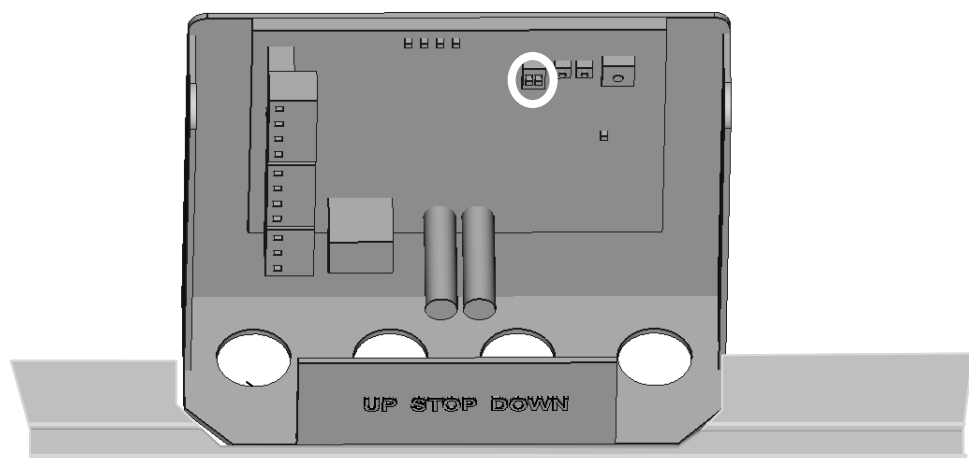
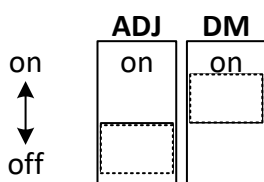
Don't change any material

Never drill additional holes in any of the parts

Before you switch on the controller, check the wiring

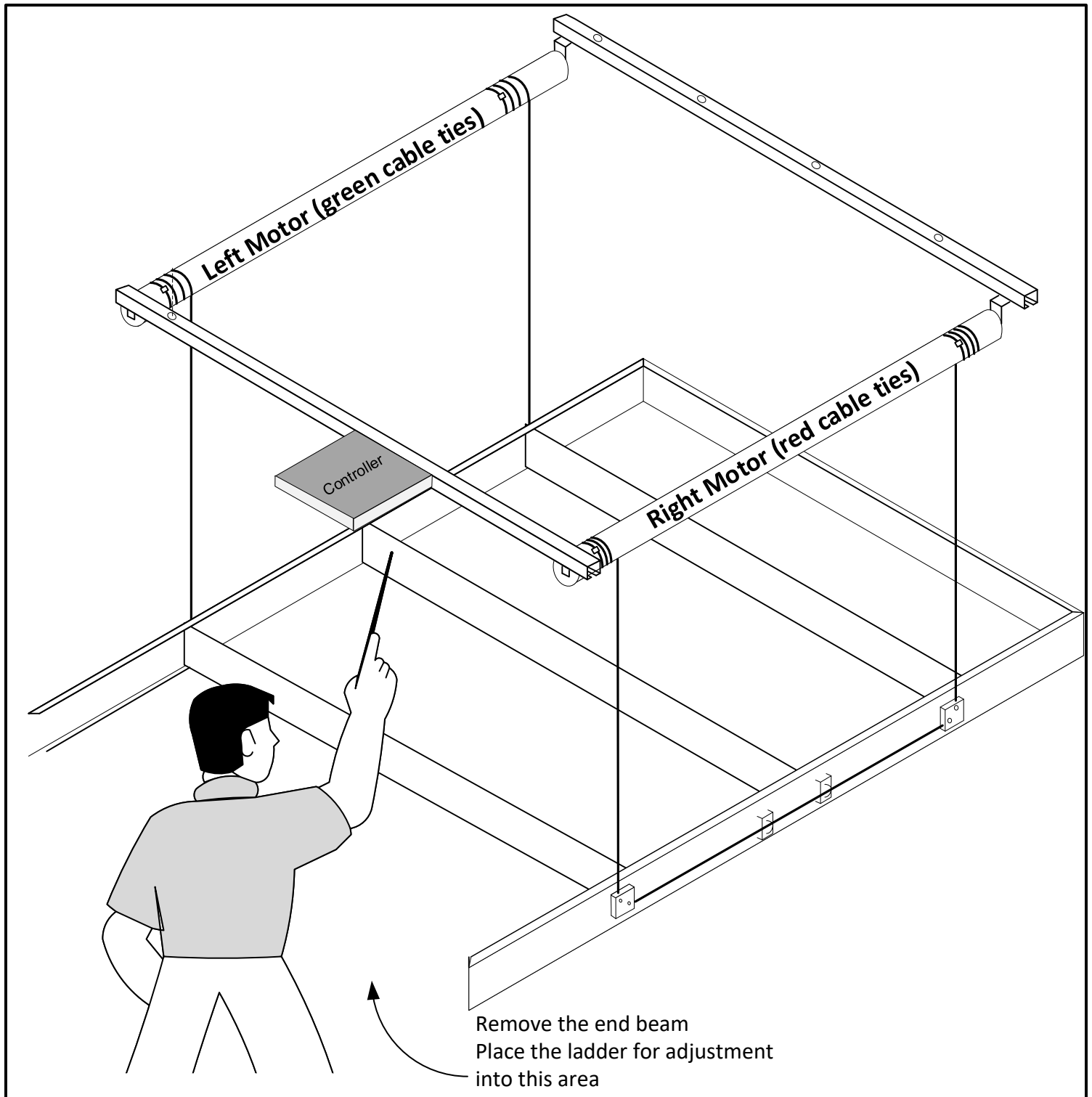
If everything is working perfectly please switch on the DEADMAN (DM).

**It is for your Safety!**



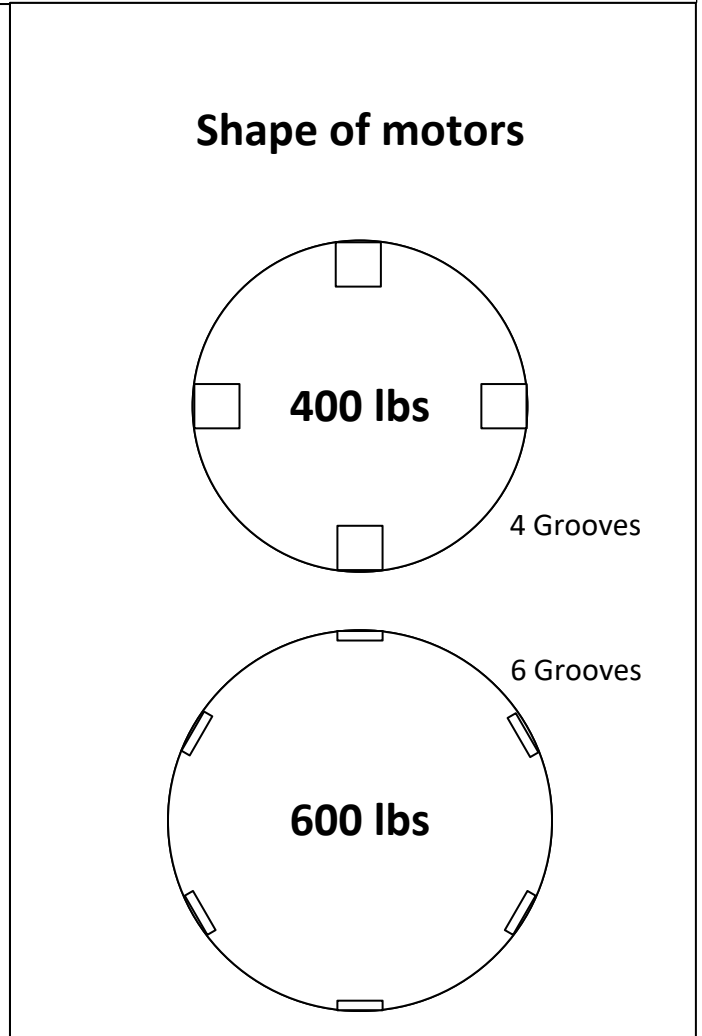
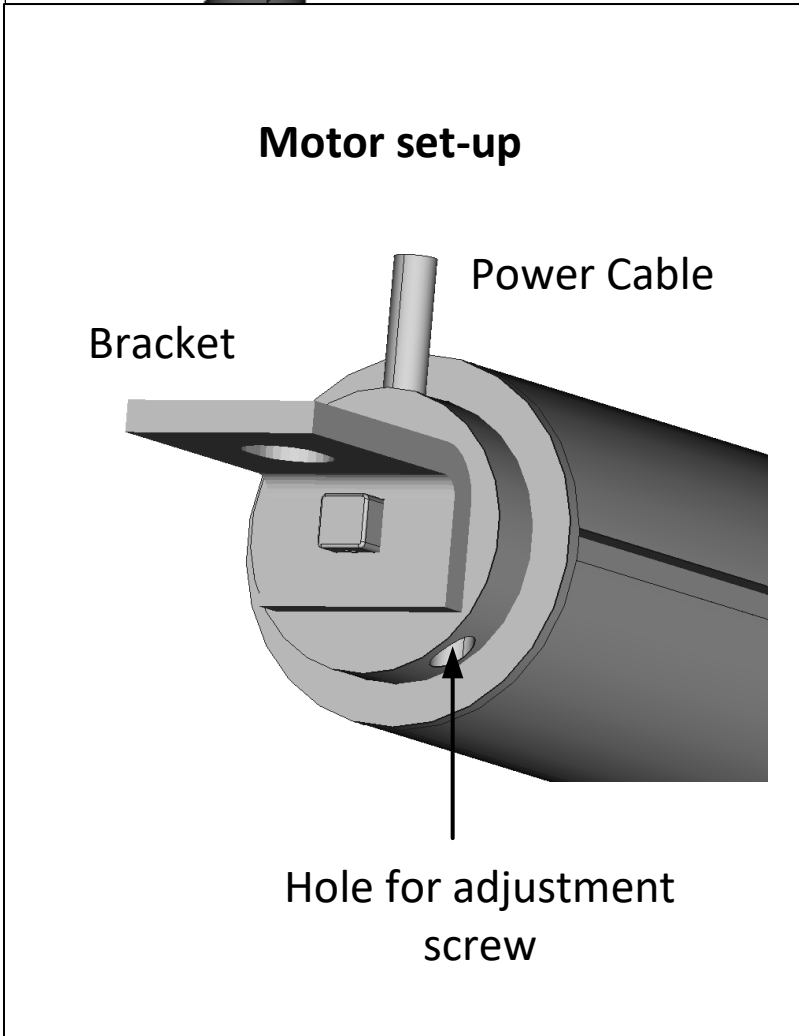
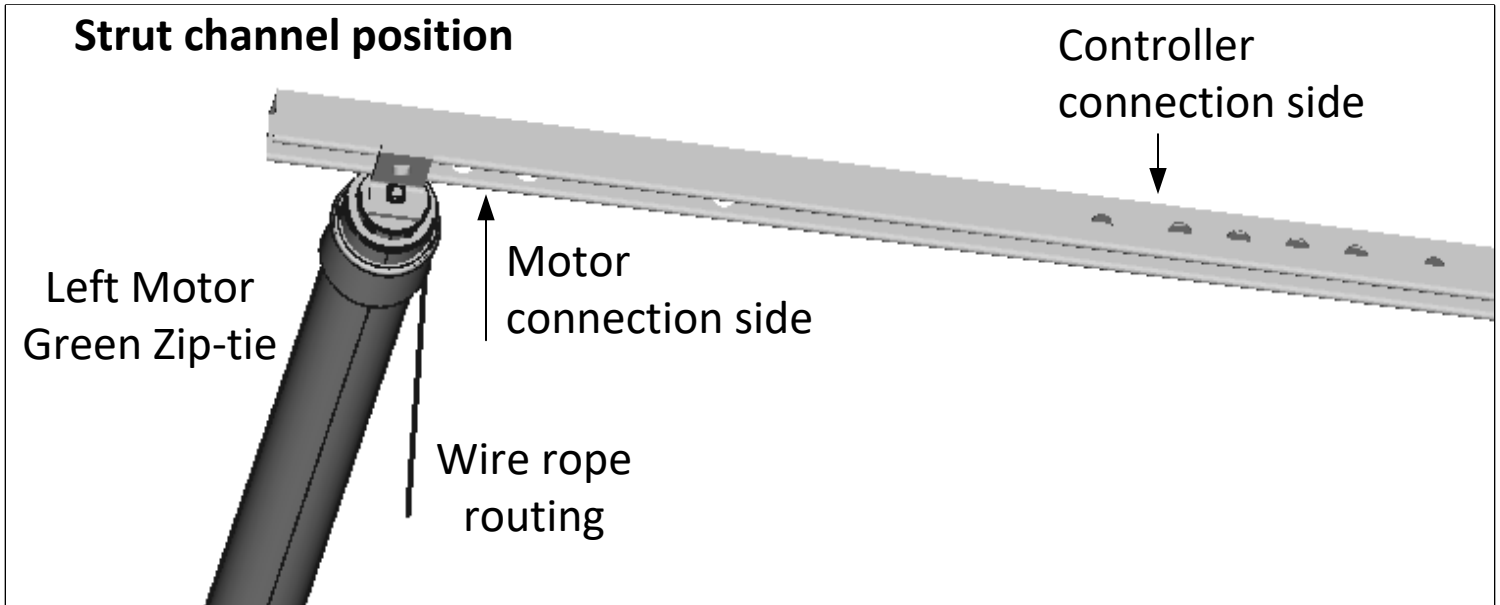
# I. Adjustment (ADJ.) General

- Prepare the adjustment.
- Check your install
- You want to stand underneath the controller to adjust the settings
- For easier adjustment, remove the end beam.



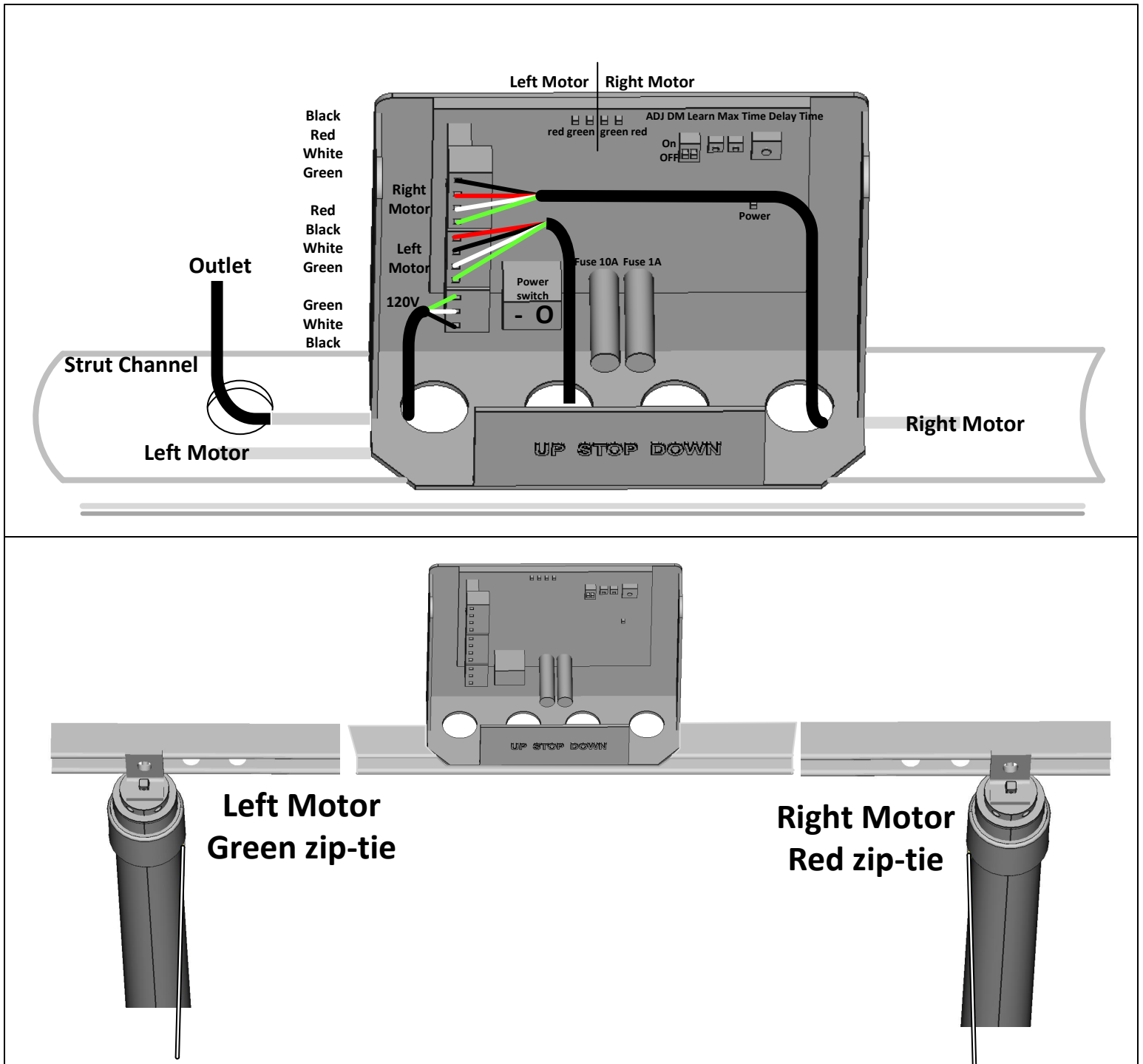
## II. Adjustment (Adj.) General

- Check the location of the strut channel in relation to the motor
- Wire rope falling inward



### III. Adjustment, checking your installation

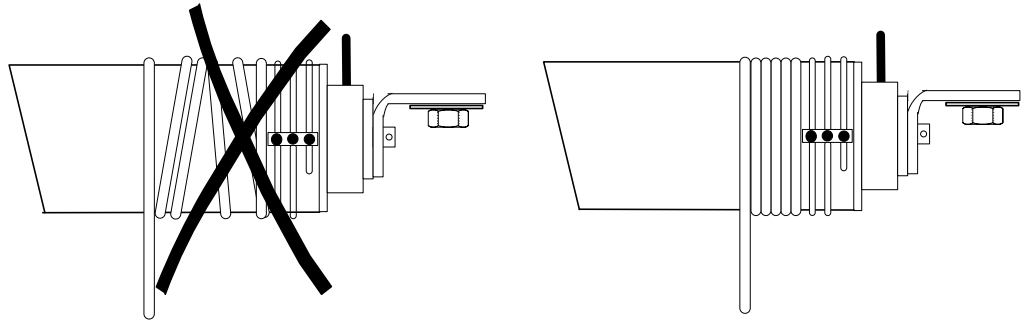
- Controller position
- Wiring
- Electrical Wire routing
- Motor position (left and right) in relation to the control module
- Wire Rope position
- Power cord routing



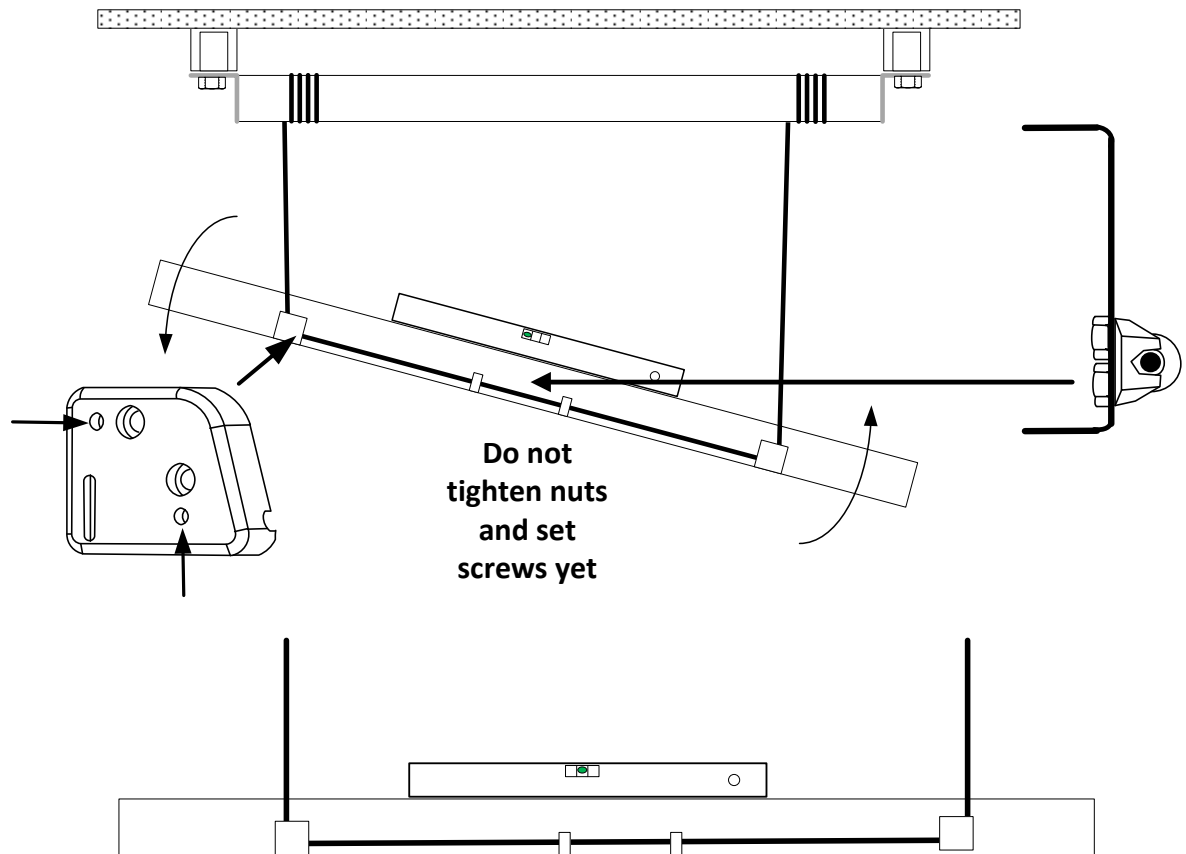
## IV. Adjustment in Three steps

- Make sure the wire rope wraps are nicely and evenly wrapped around the motor tubes
- No gaps, loops, overlays and tight
- Level the long beam on both sides with a level
- Don't tighten the U-Bolts or the set screws yet.
- Motor adjustment

### Step 1



### Step 2

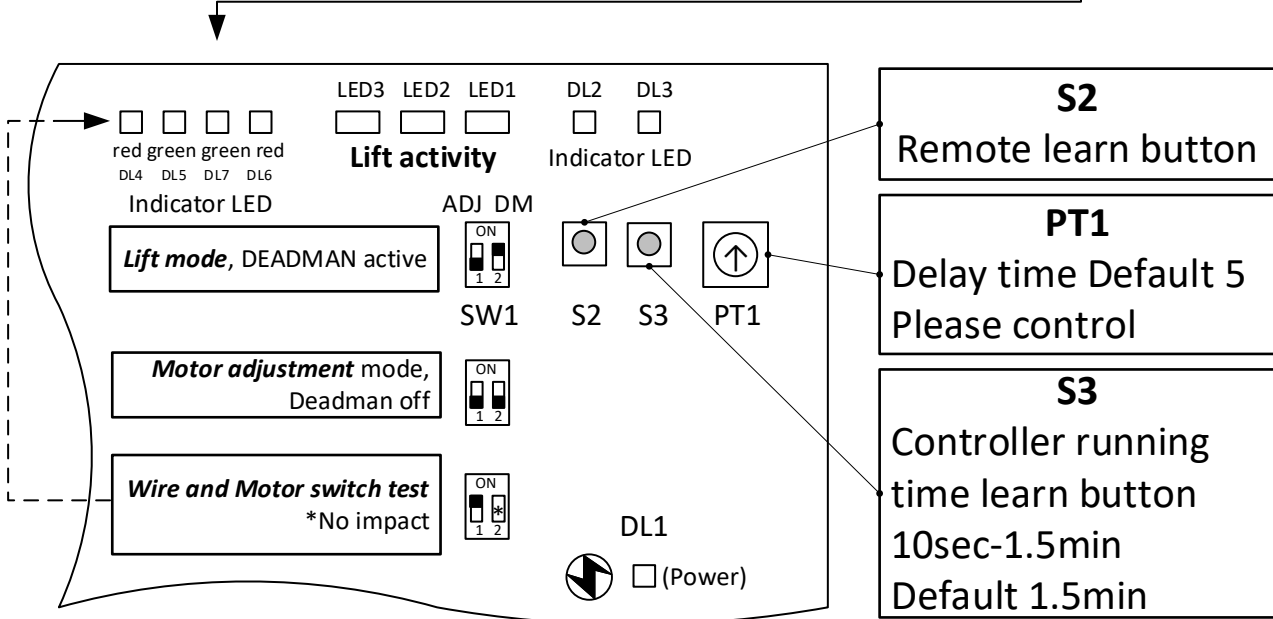


### Step 3

Motor adjustment

# V. Adjustment, Controller overview

- **Don't** use S2, S3, PT1 for the Adjustment!
- During the adjustment the DeadMan (DM) is OFF!
- ADJ- Mode, indicating electrical wiring and status of motors (four LED's)
- Overheat advice
- Lowest point adjustment.

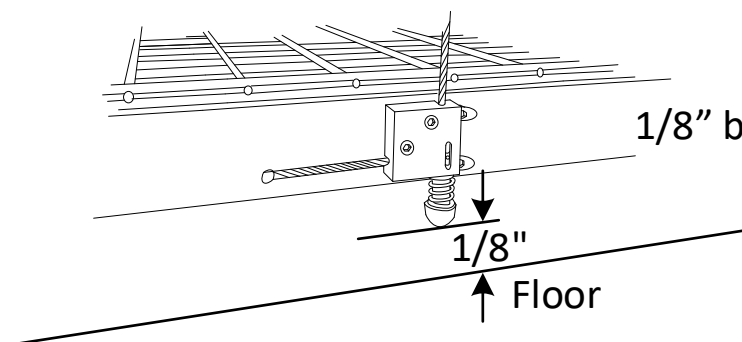


## Overheat advice

It can happen that during the adjustment the motors overheated  
 The adjustment in this moment isn't possible. Wait for the motors to cool off. It takes 10-15 minutes. **Stop adjustment!**

**You can see if it is overheated**

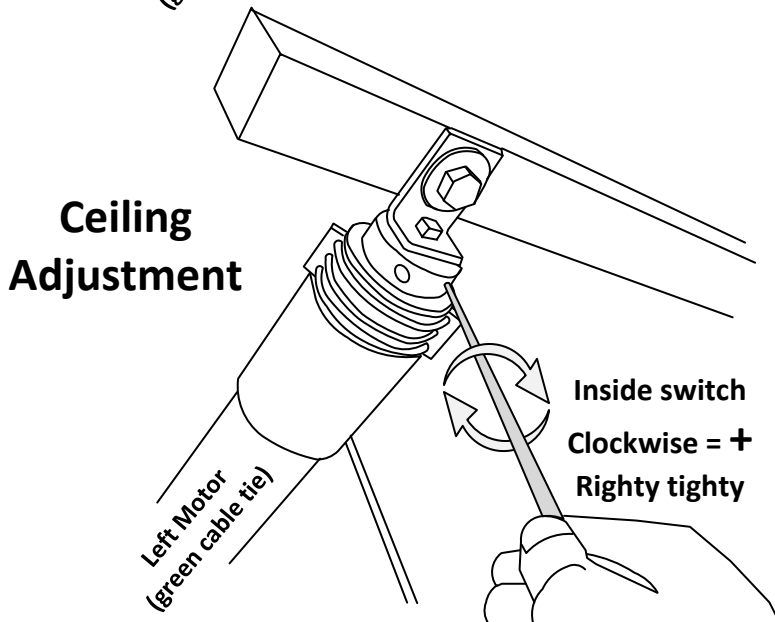
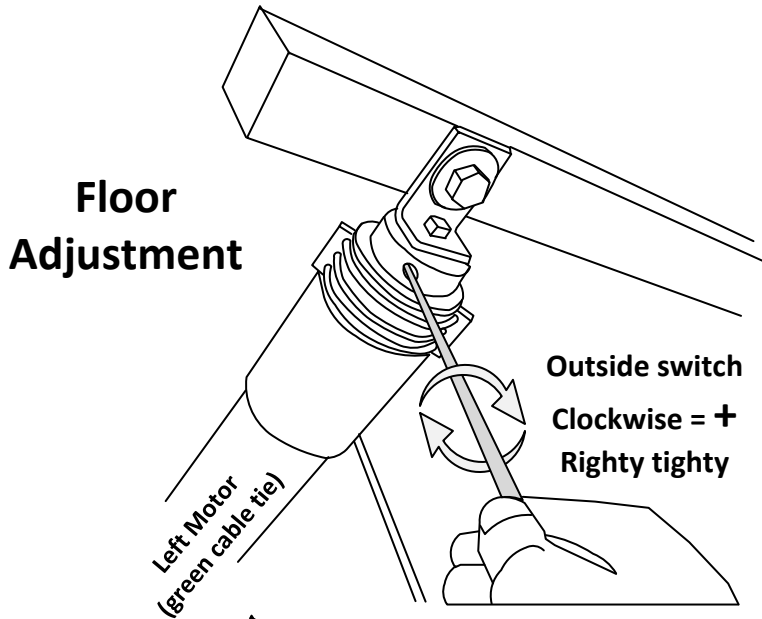
**Switch ADJ on** E.g. two LEDs are off on one side (red and green) Overheating is still active. Wait until the LED switches back on. **Switch ADJ off**



Stop floor adjustment  
 1/8" before the legs touch the floor!

# VI. Adjustment switches

- Adjustment switches are Inside / Outside
- The location of Floor and Ceiling adjustment
- View is always in the direction of the ceiling



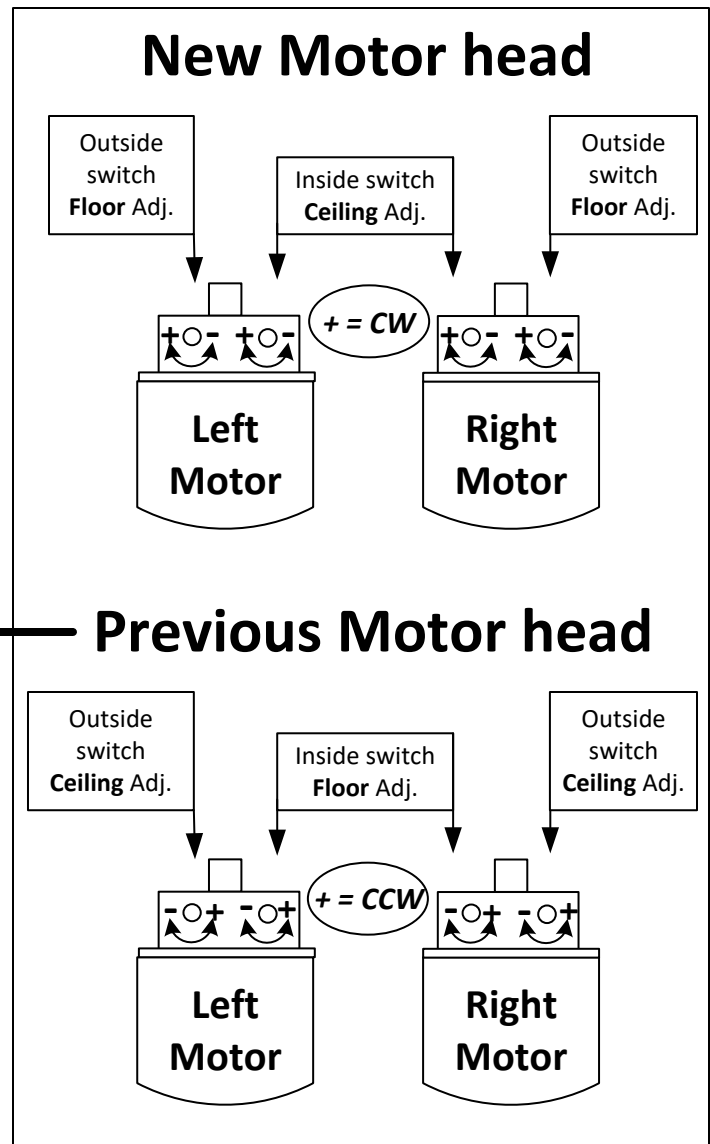
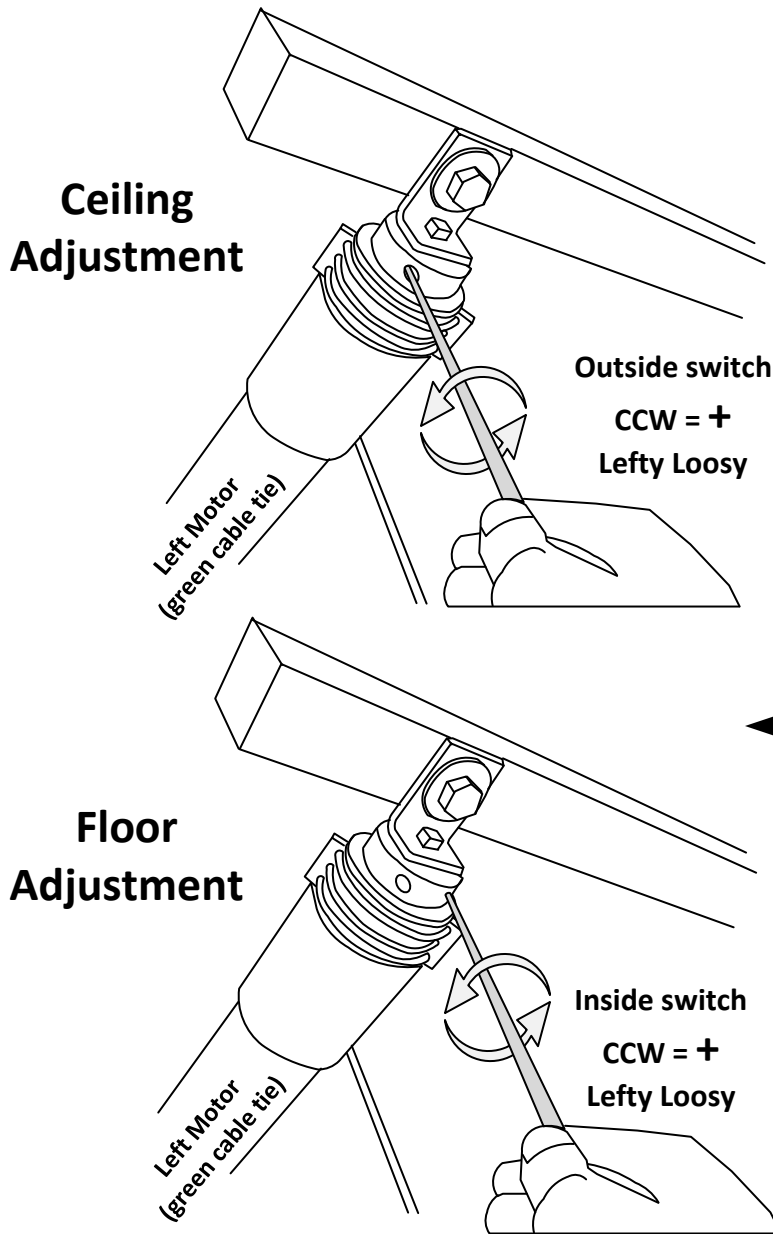
“ + ” = extend the movement, bring the platform endpoints closer to the ceiling or floor

“ - ” = reduce the movement, bring the platform more away from the ceiling or floor



# VII Adjustment switches for previous motors

- Adjustment switches, Inside / Outside
- Location of the Floor and Ceiling adjustment
- View always in direction ceiling
- This instruction shows only the newer motors.



“ + ” = extend the movement, bring the platform closer to the ceiling or floor

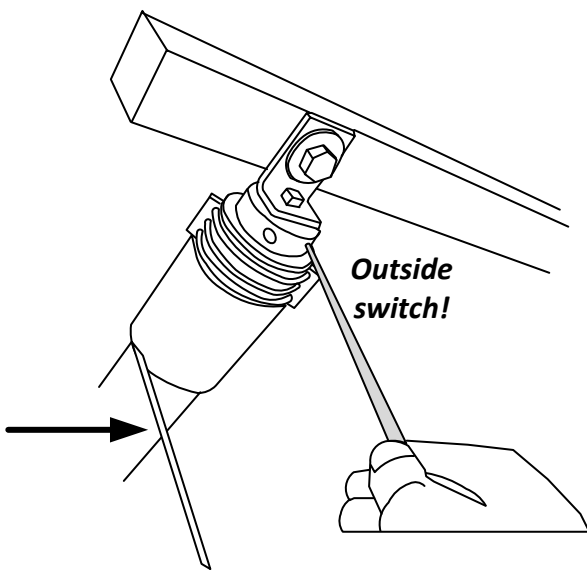
“ - ” = reduce the movement, bring the platform further away from the ceiling or floor

# VIII. Adjustment

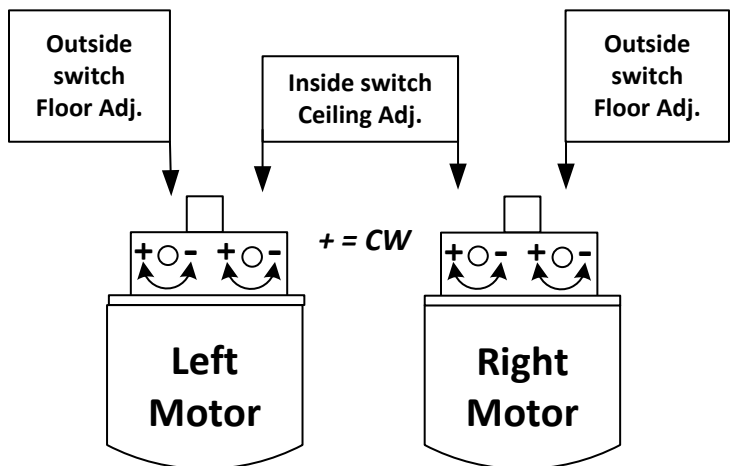
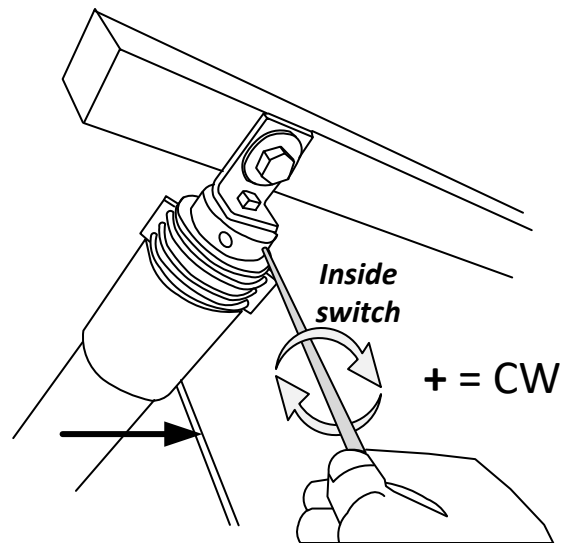
- Control the motor position
- All views in direction ceiling
- Location of the adjustment switch
- Direction for the adjusting

Wrong!

Right Motor on the left side



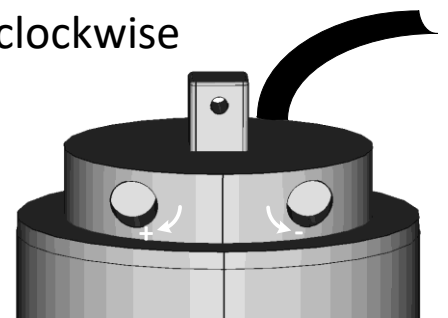
Correct!



All Switches are working in the same direction!

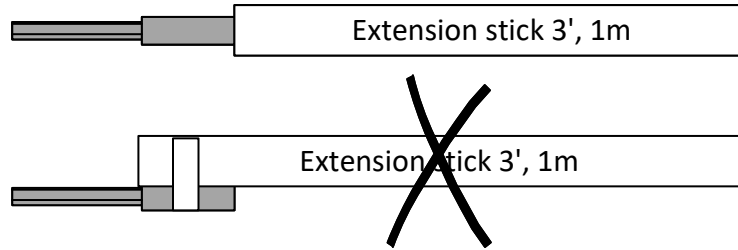
+ = Clockwise

- = Counter-clockwise



# IX. Adjustment

- Extension stick, not included
- Clicking during turning the switches
- Unwrapping and gap advice



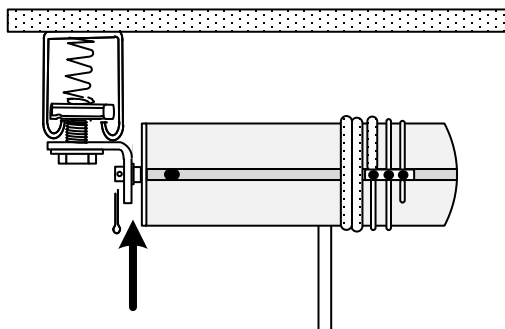
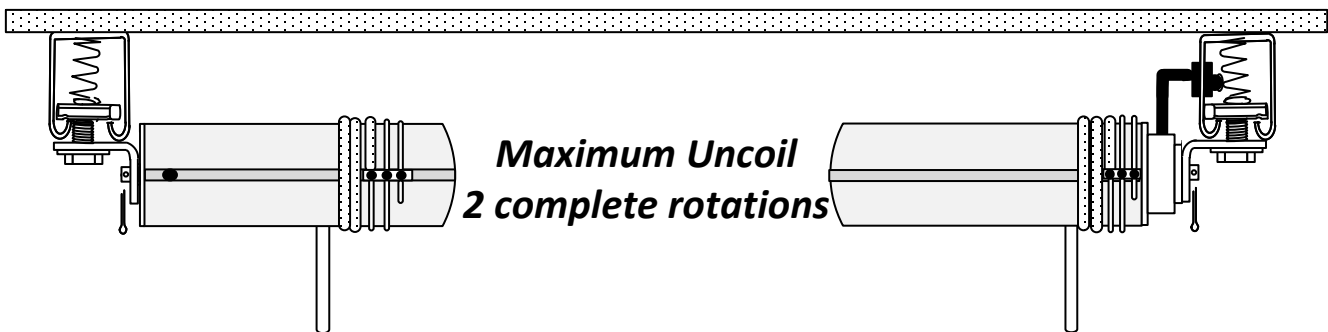
With an extension stick you can easy adjust the motors from the floor!  
Never use a **drill** for the adjustment!

*If you feel or hear a mechanical clicking or the turning of the screw is showing resistance, stop immediately turning in this direction!*

**Fix the problem:**

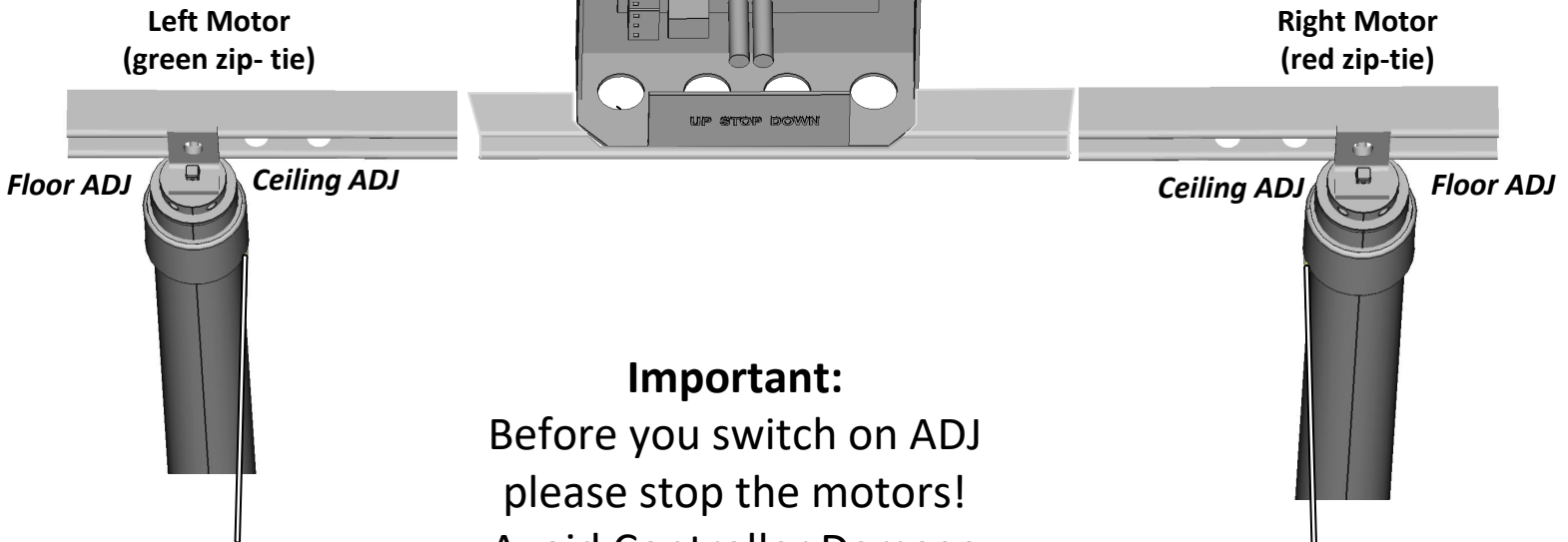
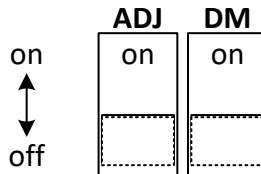
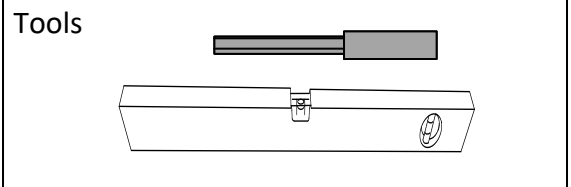
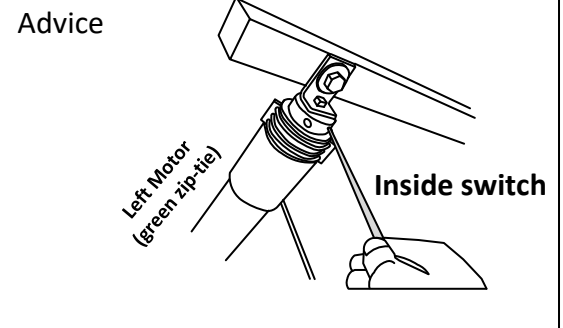
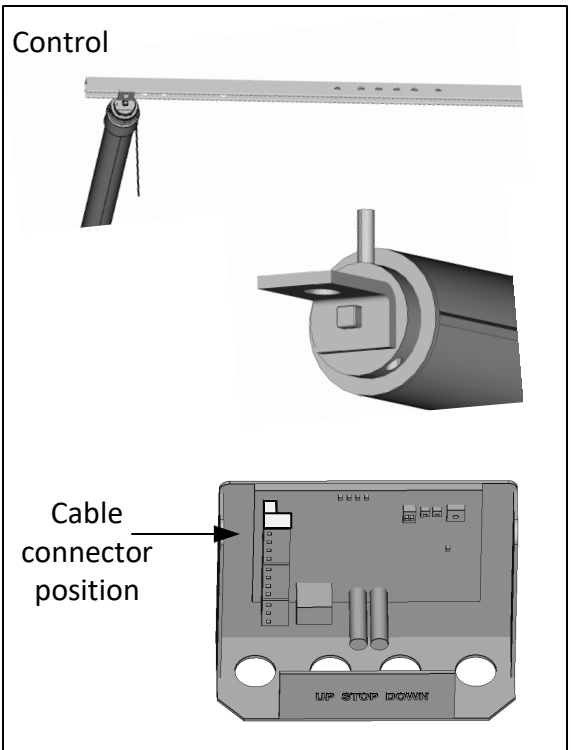
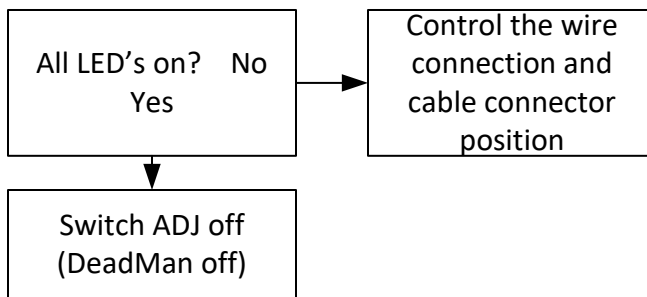
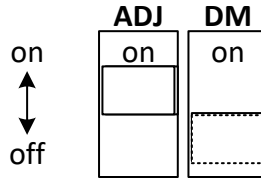
**Turn in direction + (plus=Clockwise), control the Motor wiring**  
Still the problem, please contact the service

## Unwrapping and Gap



# Adjustment Step 1

- Control the lift assembly
- All views is in direction Ceiling
- Switch on ADJ

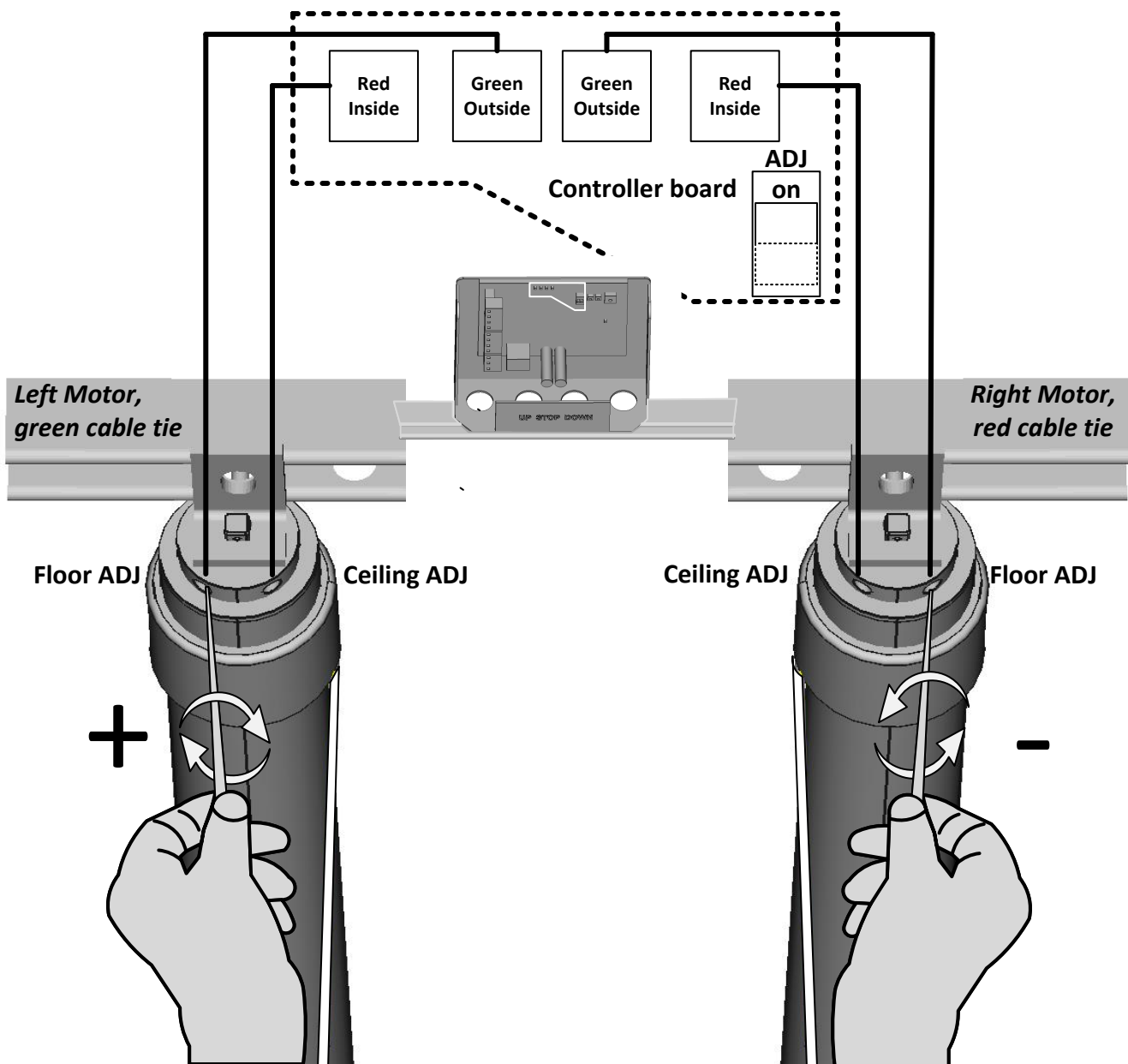


**Important:**  
 Before you switch on ADJ  
 please stop the motors!  
 Avoid Controller Damage

## Adjustment Step 2

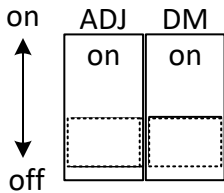
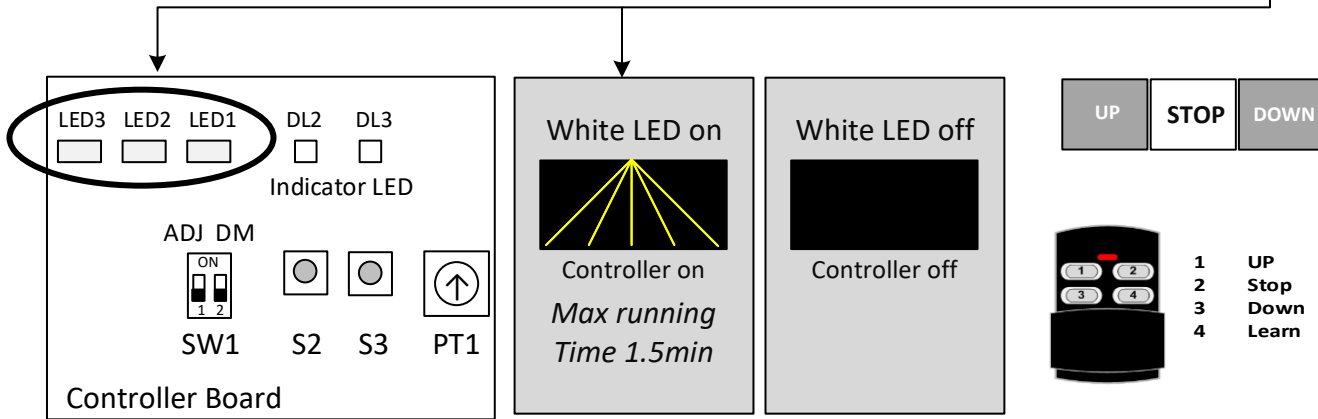
- Adjustment switches, Inside- and Outside Switches
- Position for Floor and Ceiling adjustment
- Indicator LED's (Floor, Ceiling- ADJ on)
- View always in direction ceiling

Motor switch and wiring. Check the indicator LEDs  
**ADJ=On, Motors are *not* running!**  
Each LED indicated the Motor switch and the motor wiring!



# Adjustment Step 3

- Adjustment only possible when white LEDs are on
- Turn in direction + / Clockwise/ Righty tighty
- Don't turn in direction - / Counter-clockwise / lefty loosy

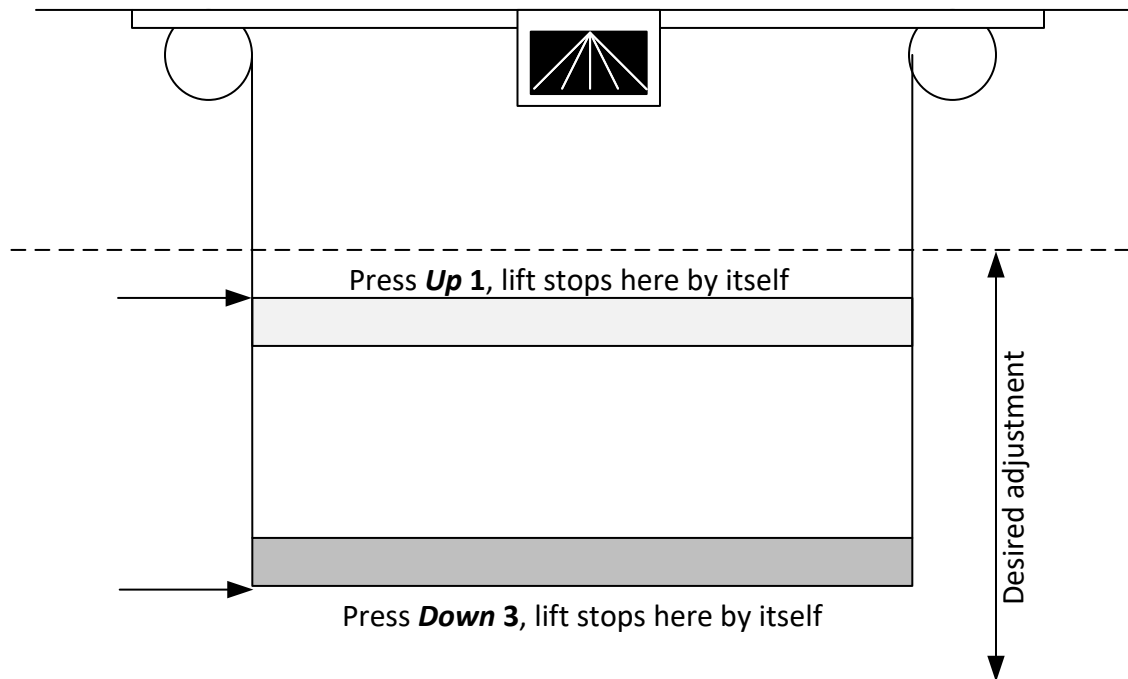


Red DIP- Switch on the controller board

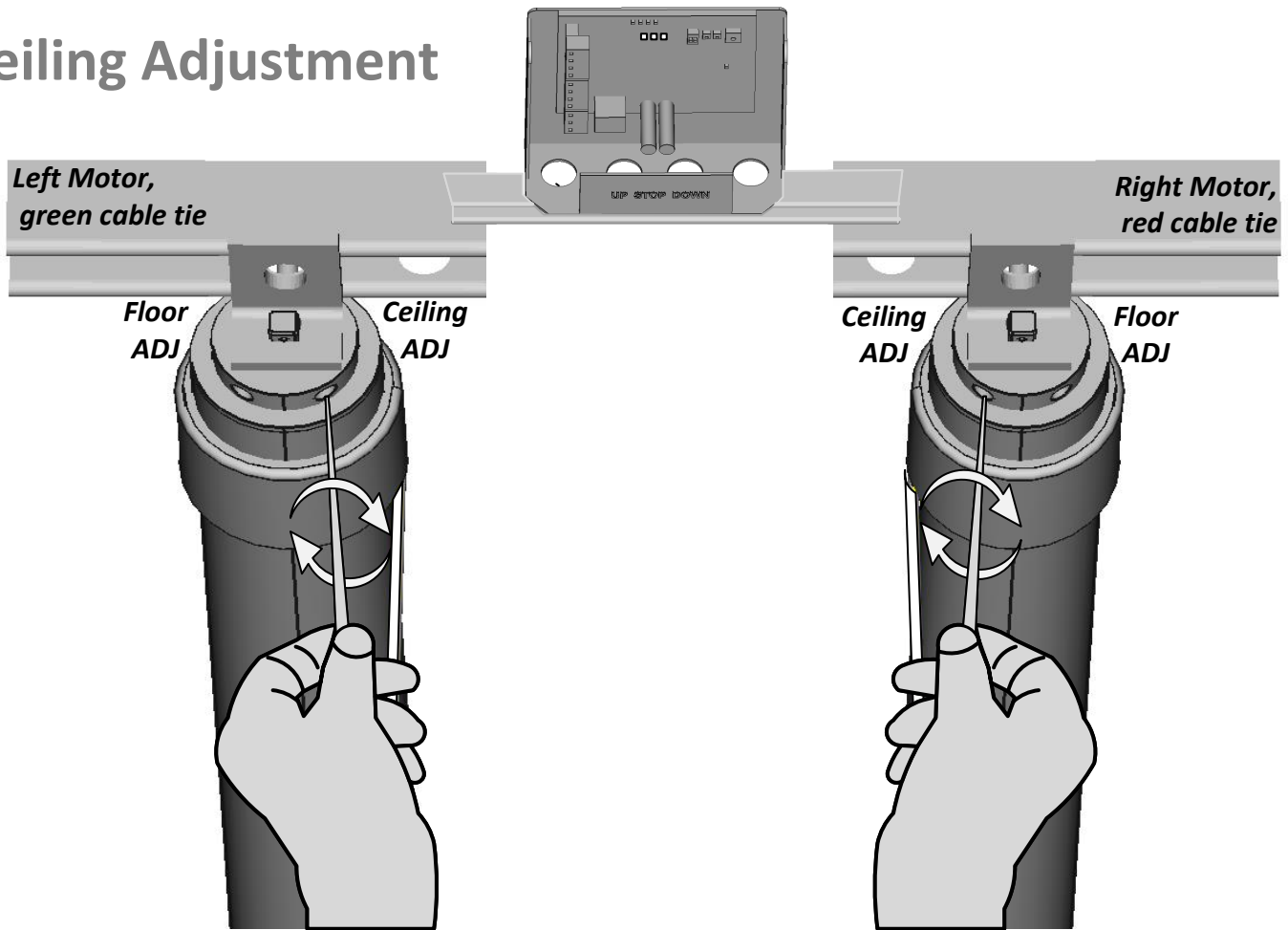
**During the adjustment  
ADJ (Adjustment)=off  
DM (DeadMan)=off**



Adjustment



# Ceiling Adjustment



Push **UP** and let the motors run until motor stops by themselves at your desired height or before?  
 (NO, open Basic setting)  
 Yes!  
 White LED's on?



yes ↓

Turn Inside switches (+)  
 a minimum of 3 turns  
 Is the motor turning?

No: **You are turning in the wrong direction.**

Bring both motors to the desired height and level

no →

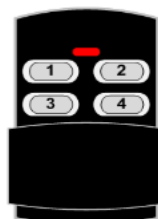
←

## Are the white LEDs off?

### Activate the Controller

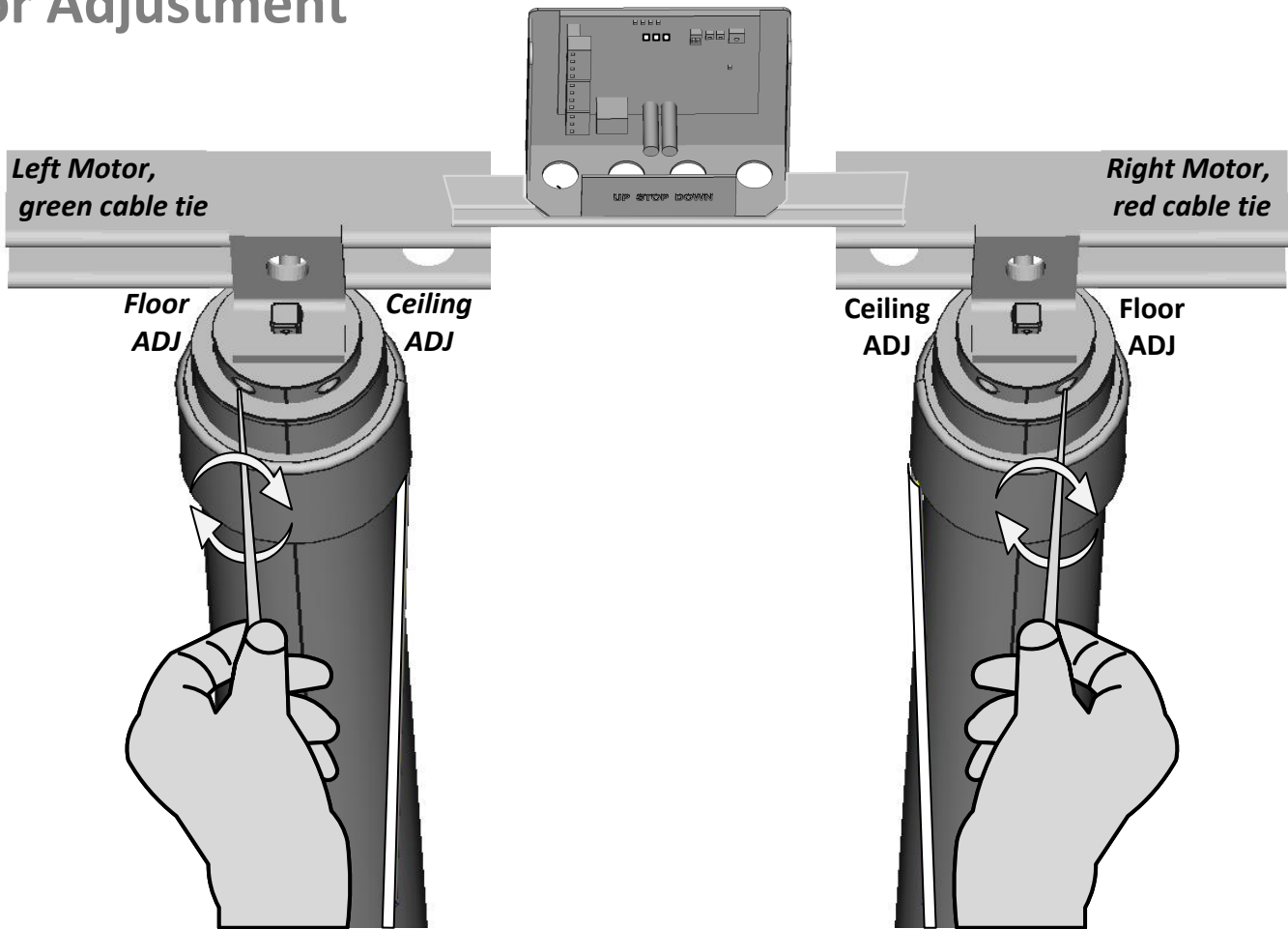
	Button
Press <b>Down</b>	3
Let it run 2"	
Press <b>Stop</b>	2
Press <b>UP</b>	1
Let lift run until	
Lift stops by itself	

(max Controller running time 1.5min!)



- 1 UP
- 2 Stop
- 3 Down
- 4 Learn

# Floor Adjustment



Push Button **DOWN** and let the motors run.  
 Do the motors stop at their desired height or  
 before by themselves?  
 (NO, Lock Basic setting)  
 Yes!  
 White LED's on?



yes

Turn outside switches **(+)**  
 a minimum of 3 turns  
 Is the motor turning?

No, **you are turning in the wrong direction.**

Bring both motors to the desired height  
 and level, stop **1/8"** before legs touch the  
 floor!

**Are the white LED off?**

Activated the Controller

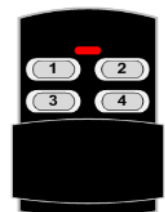
Button

Press **Up** 1  
 Let it run 2"

Press **Stop** 2

Press **Down** 3  
 Let lift run until  
 Lift stops by itself

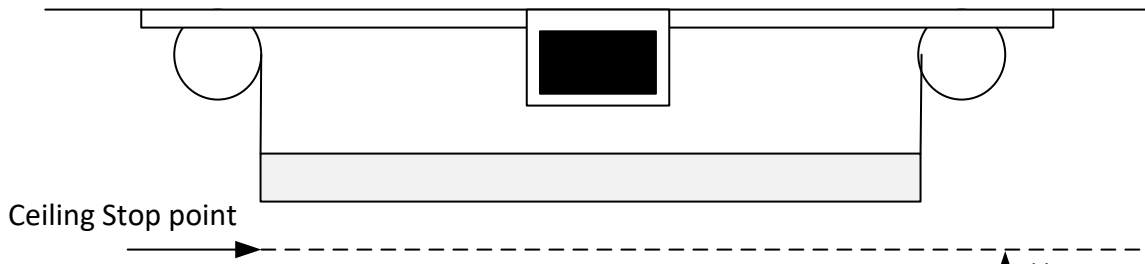
(max Controller running  
 time 1.5min!)



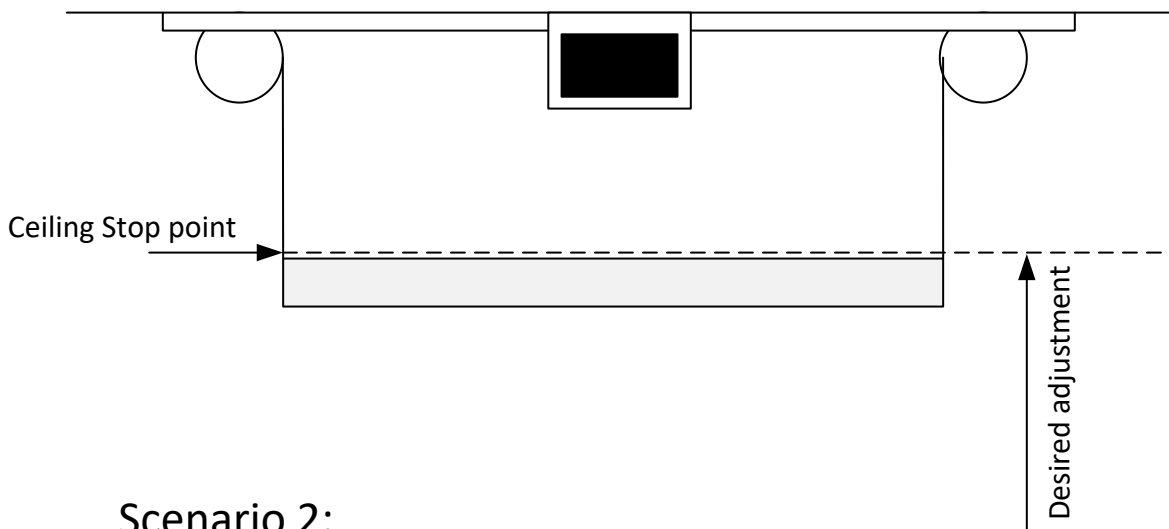
- 1 UP
- 2 Stop
- 3 Down
- 4 Learn



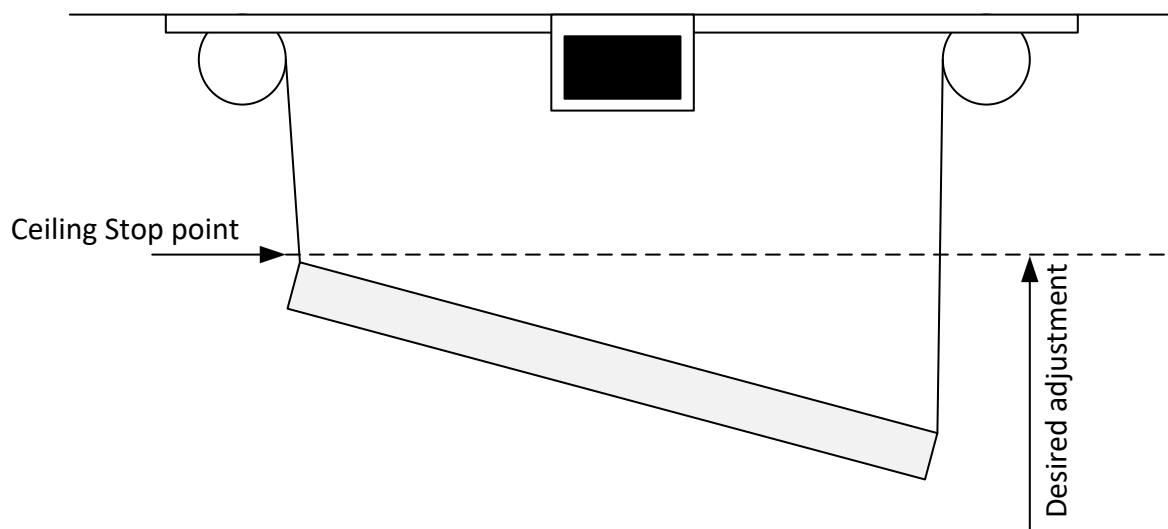
# Troubleshooting: Ceiling Adjustment is too high



Scenario 1:  
Platform is  
even

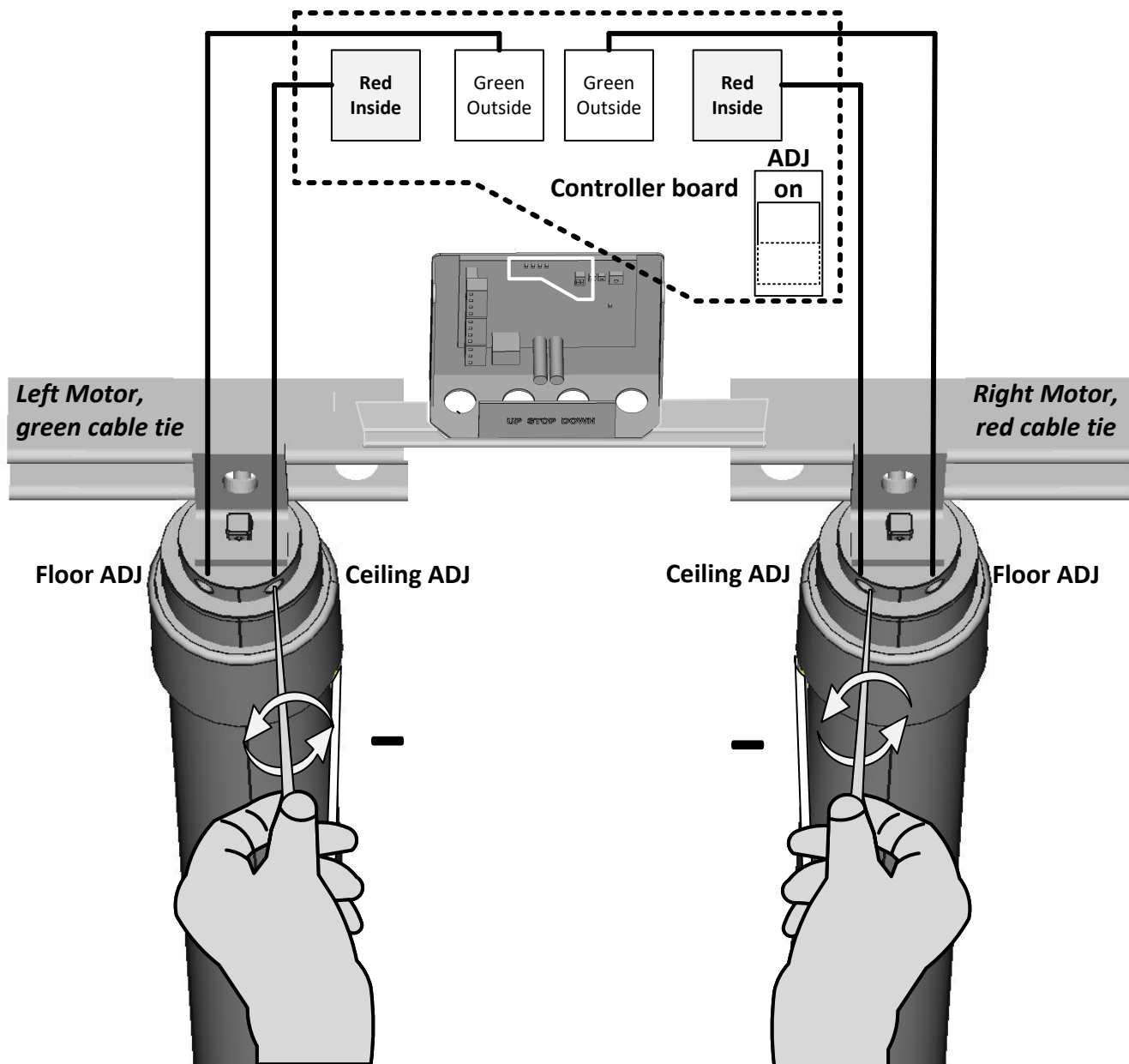


Scenario 2:  
Platform is uneven

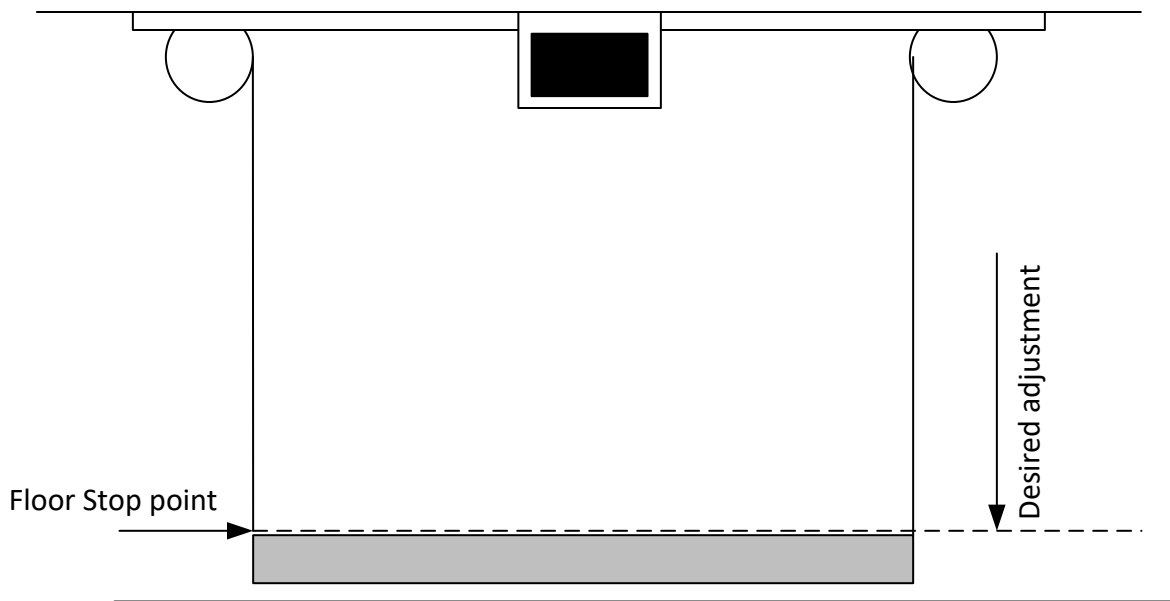
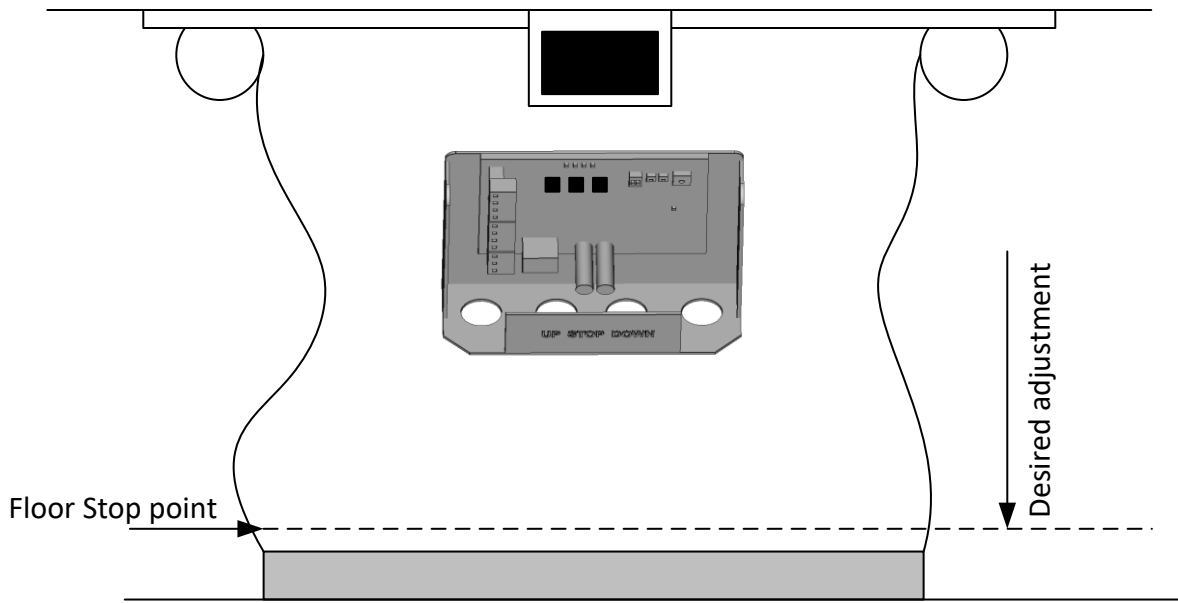


## Scenario Top limit is too high

- Push down and bring the platform to your desired height- stop
- If the platform is not leveled bring the higher side of the platform to you desired height.
- **Switch on ADJ**
- Turn the inside switch in direction – (minus) until the red LED switches off.
- Turn the same switch in direction + and switch the LED back on and stop here
- Follow these instructions with the other motor in the same way
- **Switch off ADJ**
- Push the down button and let it run for 2"- stop and push up and let it run until the motor stops by itself.
- Go to ceiling adjustment and follow the instruction

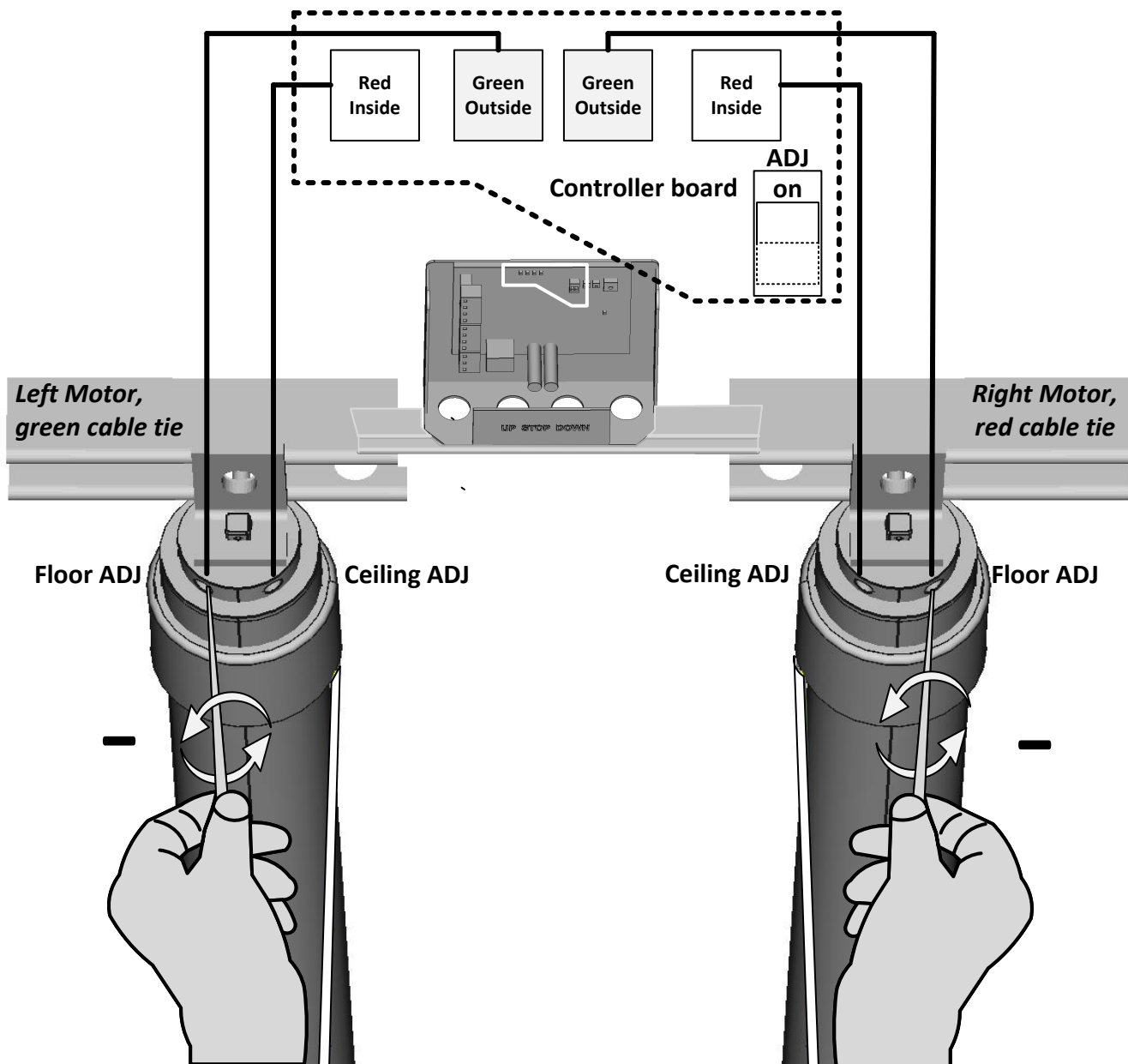


# Troubleshoot Floor Adjustment ( Platform is too low)



## Adjustment: too low

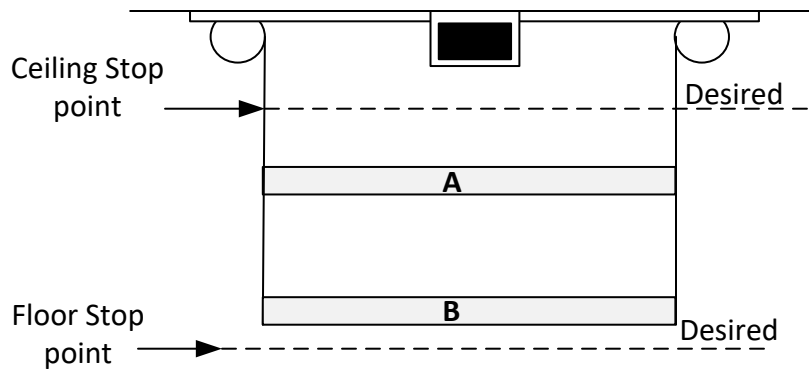
- Push up and let the platform run until you have tension back on the rope- stop
- **Switch on ADJ**
- Turn the outside switch in direction – (minus) until the green LED switches off
- Turn the same switch in direction + and switch the LED back on and stop
- Do this for the other motor in the same way.
- **Switch off ADJ**
- Push up for 2" - stop and push the DOWN button and let it run until the motor stops by itself.
- Go to floor adjustment and follow the instruction



# Troubleshooting: Lift stopped, clicking

Reason:

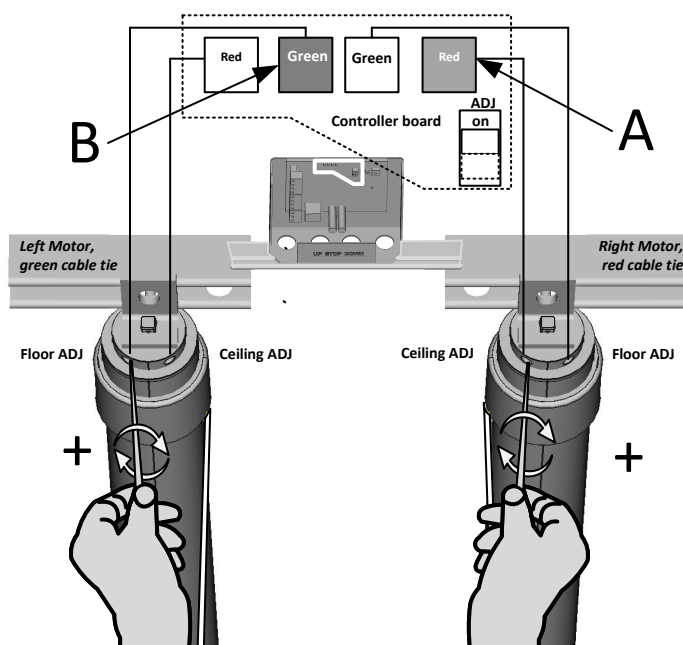
1. Cable on the green Controller connector is loose or not connected.
2. One or more Motor adjustment switches open.
3. Motor is overheated



- If lift stopped in position A
- **Switch on ADJ**
- E.g. right red LED is off
- Turn Inside switch of the right motor in direction + until the red LED switch back on
- **Switch off ADJ**
- If lift stopped in position B
- **Switch on ADJ**
- E.g. left green LED is off
- Turn outside switch of the left motor in direction + until the red LED switch back on
- **Switch off ADJ**
- All four LED's on the motors will run!

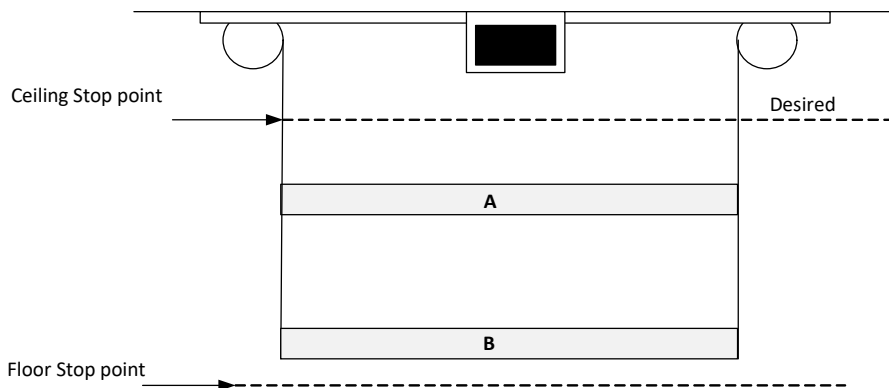
For motor switches and wiring. Check LEDs **ADJ=On**, Motors are **not** running!  
Each LED indicates one of the Motor switches are off, the motor wiring is bad or

## Motor overheating



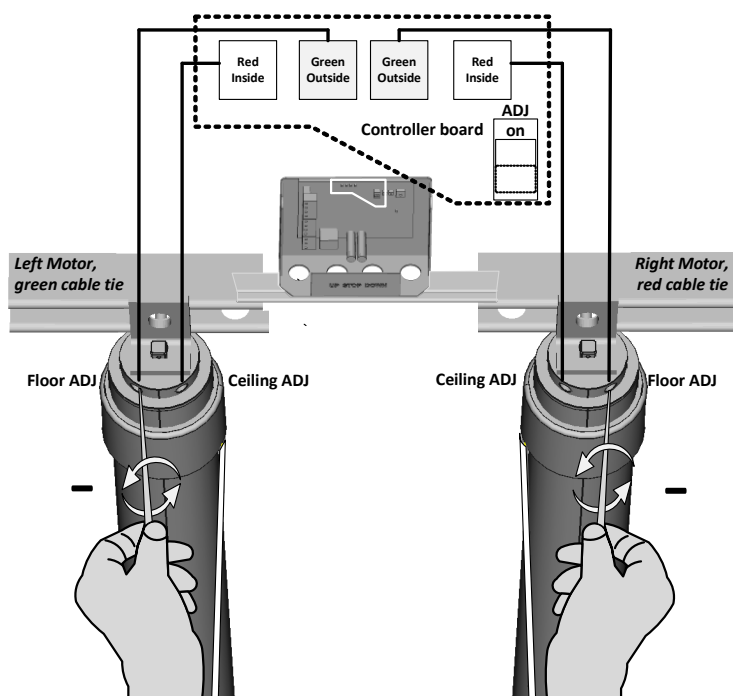
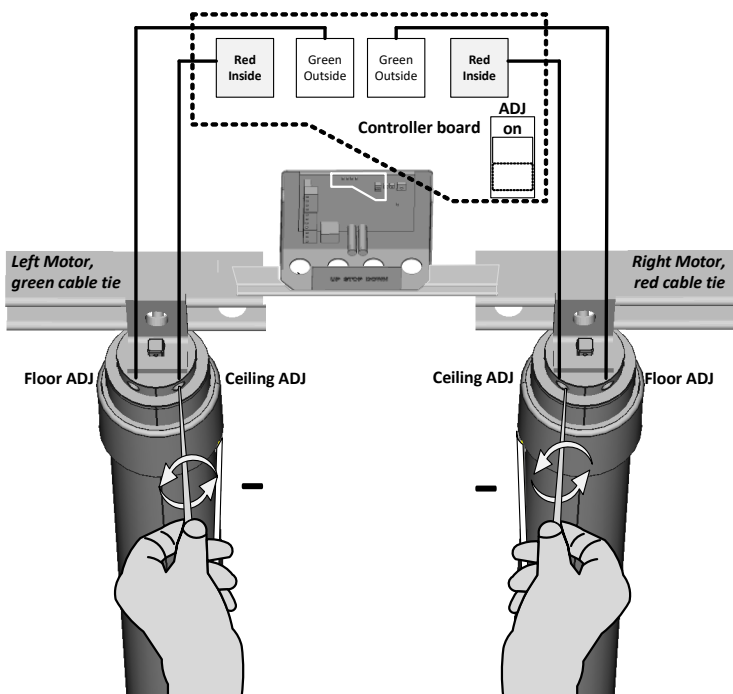
Note  
E.g. red and green LED on  
the left side off  
Motor overheated!  
Wait for 15- 20 min

# Basic setting motor switches



## ***Basic setting is in each position possible***

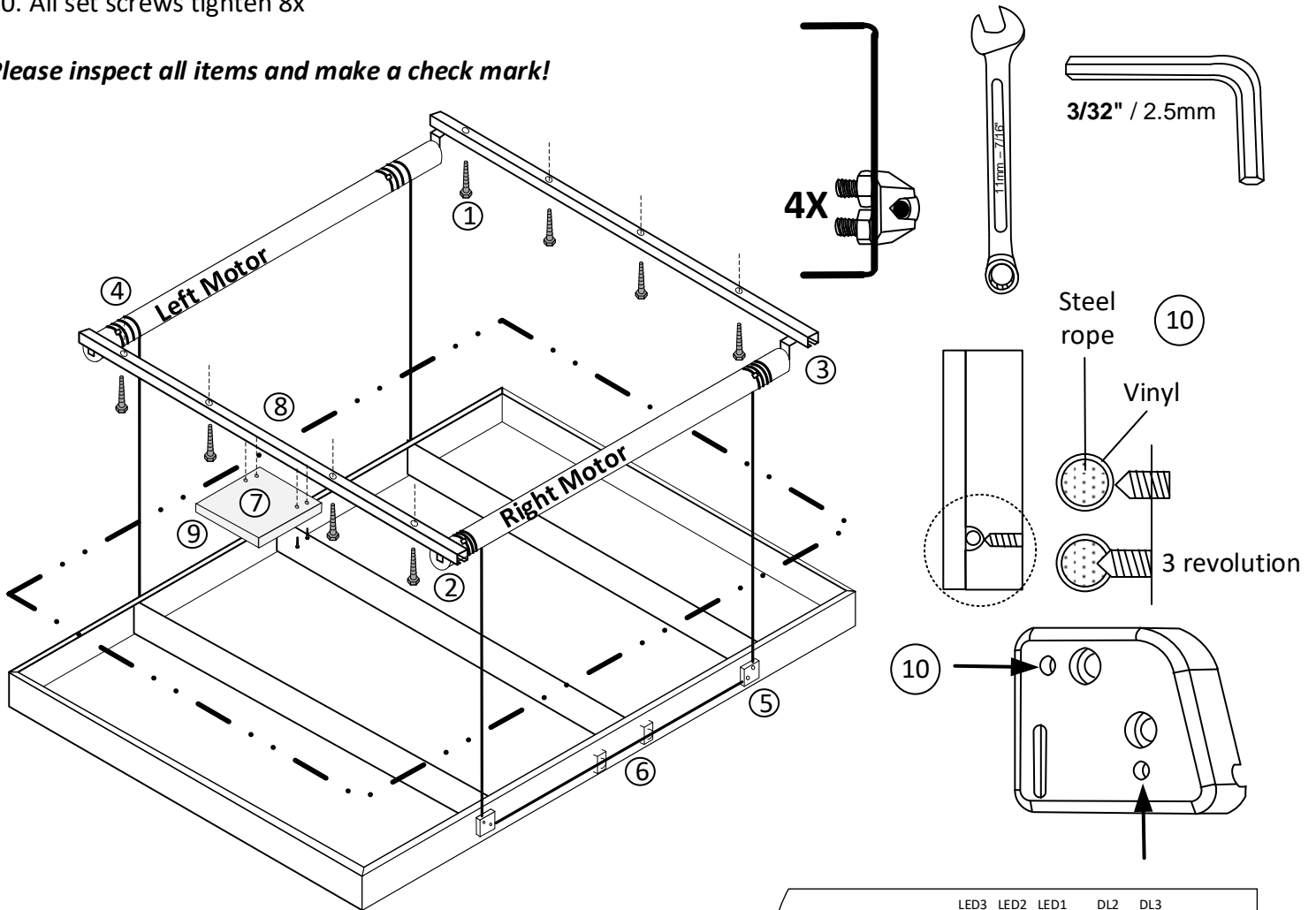
- **CEILING adjustment A**
- Stop the motors at your desired height toward the ceiling.
- Switch on ADJ
- Turn the inside switches in direction –
- If the red LED switches off, stop turning
- Turn the same Switch in direction + until the red LED switch back on. Stop turning.
- Do it on the other motor in the same way.
- From now on, in this position the lift will stop by itself.
- Switch off ADJ
- Push Button DOWN and let it run 3", stop, push Button UP and let it run until the platform stops by itself.
- Start with the **Ceiling** adjustment.
  
- **FLOOR adjustment B (refer to illustration)**
- Bring the platform to the floor
- Stop the motors 1 ft. above the floor
- Switch on ADJ
- Turn the outside switches in direction –
- Once the green LED switches off, stop turning
- Turn the same Switch in direction + until the LED switches back on. Stop turning.
- Do the same on the other motors
- From now on, the lift will stop in this position
- Switch off ADJ and
- Push UP and let it run 3", STOP, push DOWN and let it run until the platform stops by itself.
- Start with the **Floor** adjustment.
- Remember: Set the floor adjustment 1/8" so that the legs don't hit the floor.



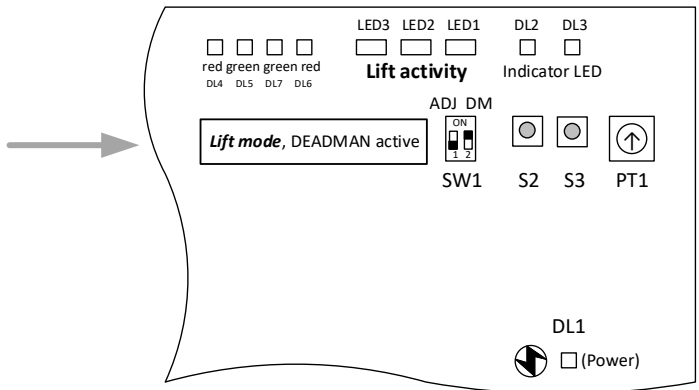
**Check list (after installing, and than ones the year!**

1. Lag screws tighten 8X
2. Cotter Pins installed and curved up 4X
3. 12mm Bracket screws tighten 4X
4. All set screws tighten 24X
5. All 6mm screws tighten 28X
6. Wire clips tighten 8X
7. E-Wire in the right order installed 11X
8. E-Wire is not laying on sharp corners
9. Controller is switch on
10. All set screws tighten 8x

**Please inspect all items and make a check mark!**

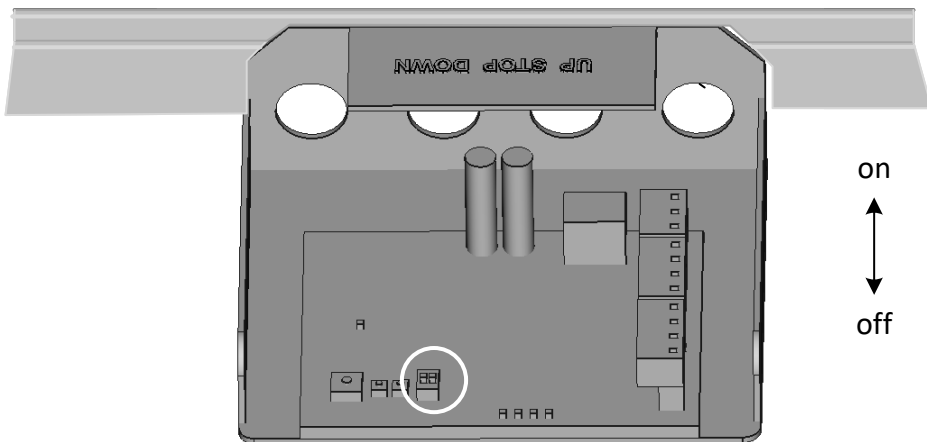


**After adjustment you MUST switch back on the other position!  
(DeadMan = ON)  
It's for your safety!**

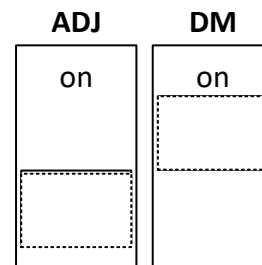


**Important! The Lift has to run to the ceiling end points (stopped automatically) in order to be leveled properly.**

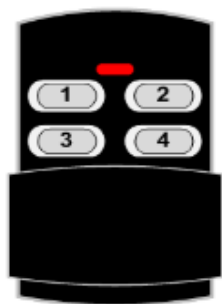
# After the install, Please switch on the **DEADMAN** function



on  
↕  
off



Deadman function



- 1 **UP**
- 2 **Stop**
- 3 **Down**
- 4 **Learn**

### DEADMAN function is for your safety

You push the button 1 / ↑ (UP) or 3 / ↓ (DOWN) and hold it. The lift stopped immediately when you release the button at the remote control or the controller.

You don't need to press the STOP button (2)

It is not working?

Please switch DEADMAN off and back on.

Is something in the way or in the surrounding area?

The lift will stop immediately when you release the button at the remote or controller.

Please hold the button in direction Ceiling until both motors stop by themselves.

Automatic leveling of the platform.

During the motor adjustment is DEADMAN off  
1 (UP), 3 (DOWN), 2 (STOP)

