

# AUXXLIFT

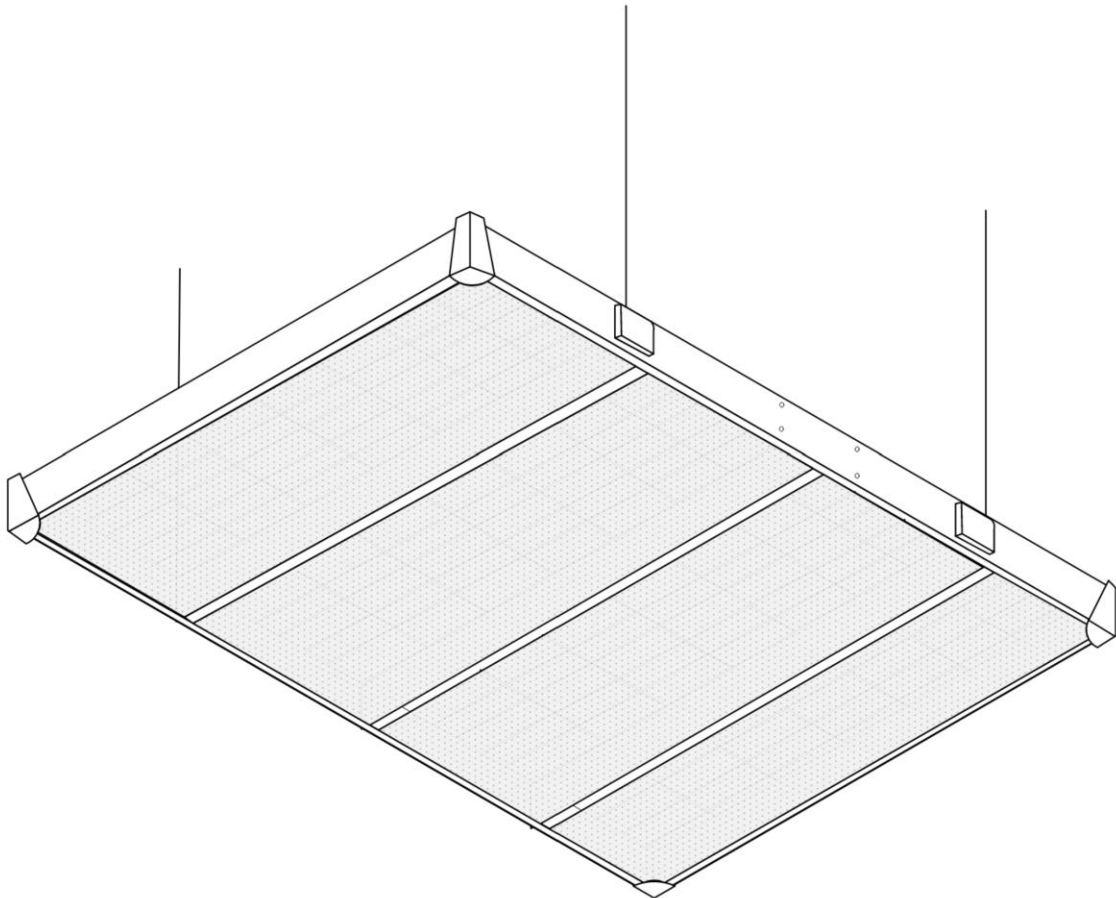
## Auxx Cover

### Installation Guide

*Design and Quality — AUXXLIFT of the USA*

All Rights Reserved • US Patent

Release 04/2026/SW — Revised Edition



**i Need Help?**

Visit [www.auxx-lift.com/installation-help](http://www.auxx-lift.com/installation-help) for installation videos.

Help phone: PT 9 AM – 5 PM, Mon-Sat, at 1-888-915-5797

[www.auxx-lift.com](http://www.auxx-lift.com)

# Table of Contents

---

|  |    |
|--|----|
| Table of Contents .....  | 2  |
| 1. Before You Start .....  | 3  |
| 1.1 Pre-Installation Checklist .....                               | 3  |
| 1.2 Important Rules .....  | 3  |
| 2. Recommended Tools .....   | 4  |
| 2.1 Required Tools .....   | 4  |
| 2.2 Required Materials (Not Included) .....                        | 4  |
| 2.3 Nice to Have .....   | 5  |
| 3. Parts List .....  | 5  |
| 3.1 Cover Sheets .....   | 5  |
| 4. Planning Your Installation .....                                | 5  |
| 4.1 Compatible Models .....  | 5  |
| 4.2 Do's and Don'ts .....  | 6  |
| 5. Step 1: Prepare the Platform .....                              | 7  |
| 5.1 Lower the Platform .....                                       | 7  |
| 5.2 Secure the Wire Ropes .....                                    | 7  |
| 5.3 Remove the Wire Mesh and Side Beam .....                       | 8  |
| 6. Step 2: Position the Cover Sheets .....                         | 10 |
| 6.1 Identify Each Cover .....                                      | 10 |
| 6.2 Dry-Fit All Four Covers .....                                  | 10 |
| 7. Step 3: Install Painters Tape and Reassemble the Platform ..... | 10 |
| 7.1 Install Painter's Tape .....                                   | 10 |
| 7.2 Remove Wire Rope Ties .....                                    | 11 |
| 7.3 Reattach the Side Beam .....                                   | 11 |
| 8. Step 4: Apply Caulk and Bond Covers .....                       | 11 |
| 8.1 Level and Support the Covers .....                             | 11 |
| 8.2 Prepare the Surfaces and Apply Caulk .....                     | 12 |
| 9. Step 5: Cure Period and Remove Support .....                    | 13 |
| 9.1 Curing Period .....  | 13 |
| 10. Inspection Checklist .....                                     | 14 |
| 11. Troubleshooting .....  | 14 |

# 1. Before You Start

## **⚠ READ COMPLETELY BEFORE BEGINNING**

Read through all instructions before starting the installation.

Follow the instructions carefully and in order. If you feel uncomfortable handling the installation, please ask a handyman or work with a contractor.

## 1.1 Pre-Installation Checklist

1. Have you read through the entire instructions?
2. Do you have all the recommended tools and materials?
3. Is your Auxxlift platform already fully installed, wired, and tested?
4. Have you lowered the platform to a comfortable working height?

## 1.2 Important Rules

- Do not use an impact driver.
- Clean the work area before you start.
- Wear safety glasses at all times.
- Keep the work area clear of obstructions.
- **Allow minimum 2 days for caulk to dry before using the lift.**
- Support the cover sheets with a 2x4 during the full caulk drying period.

## **i Need Help?**

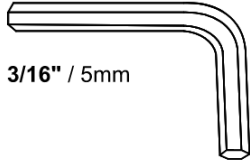
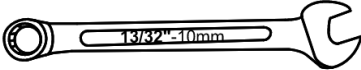
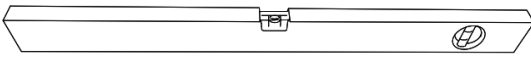

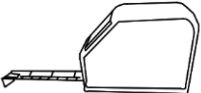


Visit [www.auxx-lift.com/installation-help](http://www.auxx-lift.com/installation-help) for installation videos.

Help phone: PT 9 AM – 5 PM at 1-888-915-5797

[www.auxx-lift.com](http://www.auxx-lift.com)

## 2. Recommended Tools

### 2.1 Required Tools

| Tool                                  | Image  | Purpose                                   |
|---------------------------------------|--|---|
| Allen key (hex wrench) - 3/16" (5 mm) | <br>3/16" / 5mm   | Platform assembly and beam screws         |
| Wrench – 13/32" (10 mm)               | <br>13/32" - 10mm | Beam fasteners                            |
| Level (48" or longer)                 |                  | Leveling cover sheets during caulk drying |
| Safety glasses                        |                   | Eye protection (required!)                |
| Tape measure                          |                   | Measuring cover positions and clearances  |
| Pencil                                |                 | Marking positions on beams                |
| Square                                |                 | Checking cover alignment                  |

### 2.2 Required Materials (Not Included)

| Material                  | Specification             | Purpose   |
|---------------------------|---------------------------|---|
| Silicone or acrylic caulk | Clear or white, paintable | Bonding cover sheets to support beams                 |
| Painter's tape            | Standard width            | Masking beams during caulk application                |
| 2x4 lumber stud           | 8 ft / 2.4 m long (2x)    | Supporting cover sheets during caulk drying           |
| Cardboard strips / shims  | —                         | Fine-leveling the cover sheets under the support stud |
| Cable ties or tape        | —                         | Securing wire ropes before platform disassembly       |

### 2.3 Nice to Have

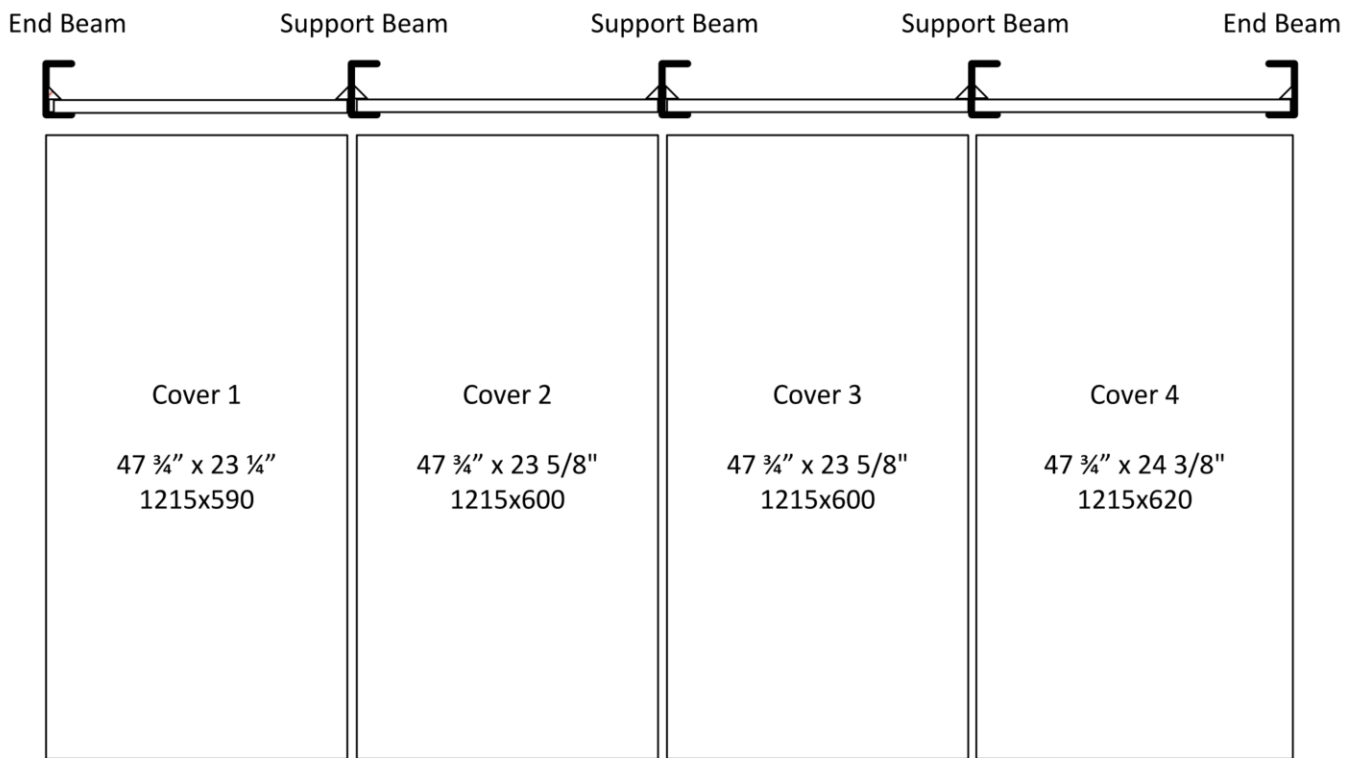
| Tool                   | Purpose                                     |
|------------------------|---|
| Caulk gun              | For controlled silicone/acrylic application |
| Headlamp               | For working underneath the platform         |
| Clamps (2x)            | Additional support during caulk drying      |
| Putty knife / spreader | Smoothing caulk bead                        |

## 3. Parts List

Verify all parts are included before beginning installation.

### 3.1 Cover Sheets

The AUXX Cover kit includes four polycarbonate cover sheets sized to fit the Auxxlift platform. Each cover is pre-cut to the dimensions below. **Covers 1 and 4 are the end panels (slightly different width)**; Covers 2 and 3 are the inner panels.



## 4. Planning Your Installation

### 4.1 Compatible Models

| Auxxlift Model       | Platform Size | Compatible           |
|----------------------|---------------|----------------------|
| Auxxlift 2400 / 2600 | 4' x 8'       | ✓ Yes — standard fit |

## 4.2 Do's and Don'ts

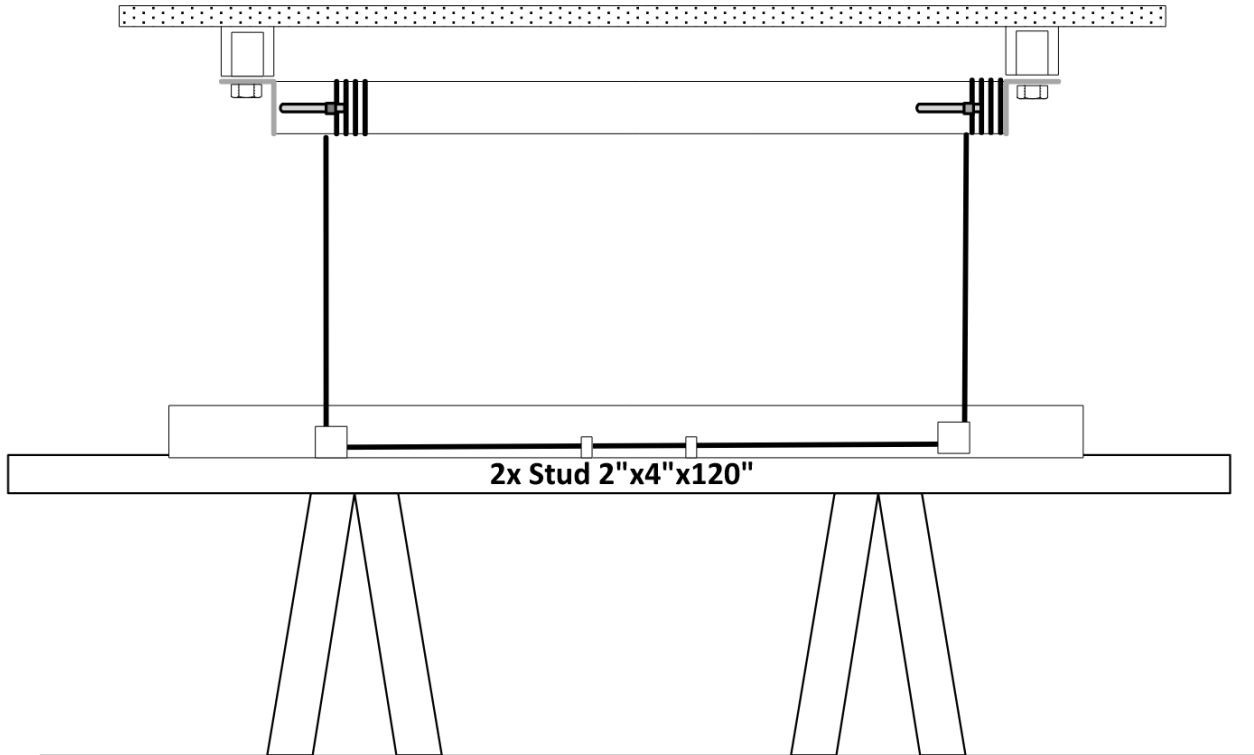
| Do  | Don't   |
|---|---|
| Use clear or white silicone / acrylic caulk only          | Use polyurethane or construction adhesive                   |
| Support covers with a 2x4 for the full 2-day cure         | Load the platform before caulk is fully cured (min. 2 days) |
| Remove painter's tape carefully while caulk is still wet  | Leave tape on after caulk starts to skin over               |
| Seal all open edges with tape or caulk after installation | Leave gaps open — animals may nest inside the cover sheets  |
| Lower platform to worktable height before starting        | Work with platform at ceiling height                        |
| Re-secure all screws and wire ropes after reassembly      | Operate lift without checking all fasteners                 |

## 5. Step 1: Prepare the Platform

Before installing the cover sheets, the platform must be lowered, stripped of its wire mesh, and partially disassembled to allow the cover sheets to be positioned correctly.

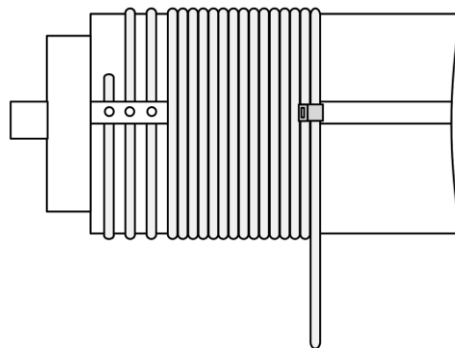
### 5.1 Lower the Platform

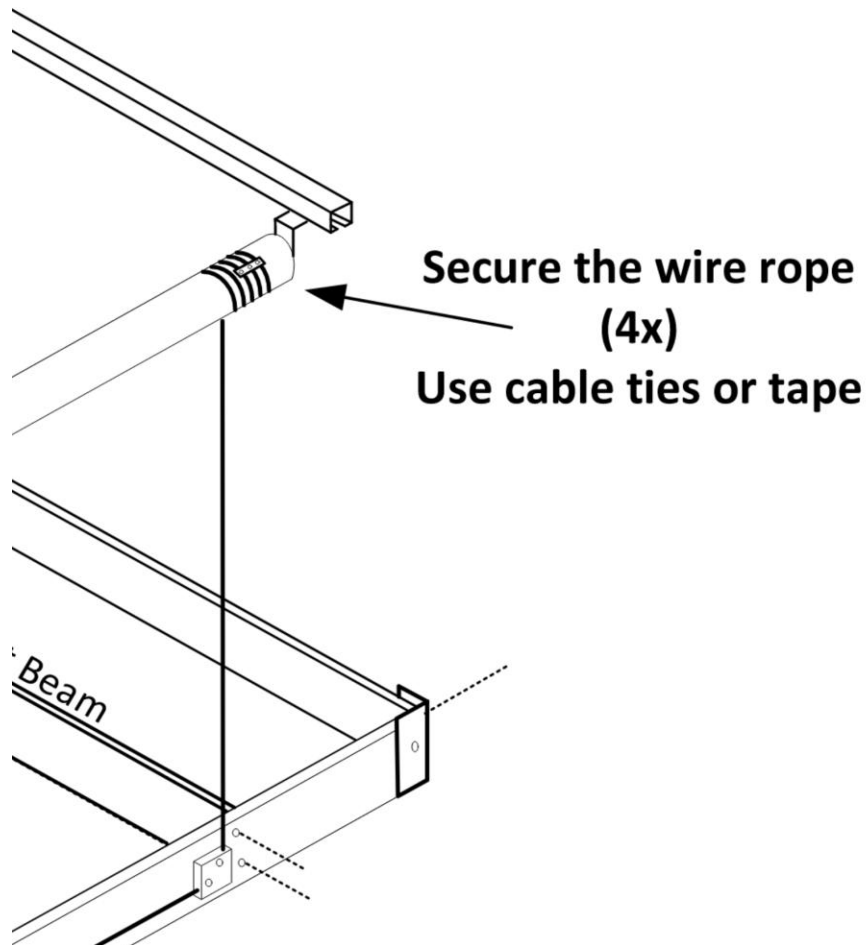
1. Using the remote control, lower the Auxlift platform down to your worktable or sawhorse height (approximately 36–40" / 90–100 cm from the floor). Support on 2x4 studs (2x4x120" sawhorse-style) so you can work underneath comfortably.
2. Power off the Auxlift controller.



### 5.2 Secure the Wire Ropes

1. Before removing any fasteners, secure the four wire ropes so they cannot uncoil. Use cable ties or tape at each motor end as shown in the diagram below.
2. The rope must remain neatly coiled — always leave a minimum of 2 coils on each motor.



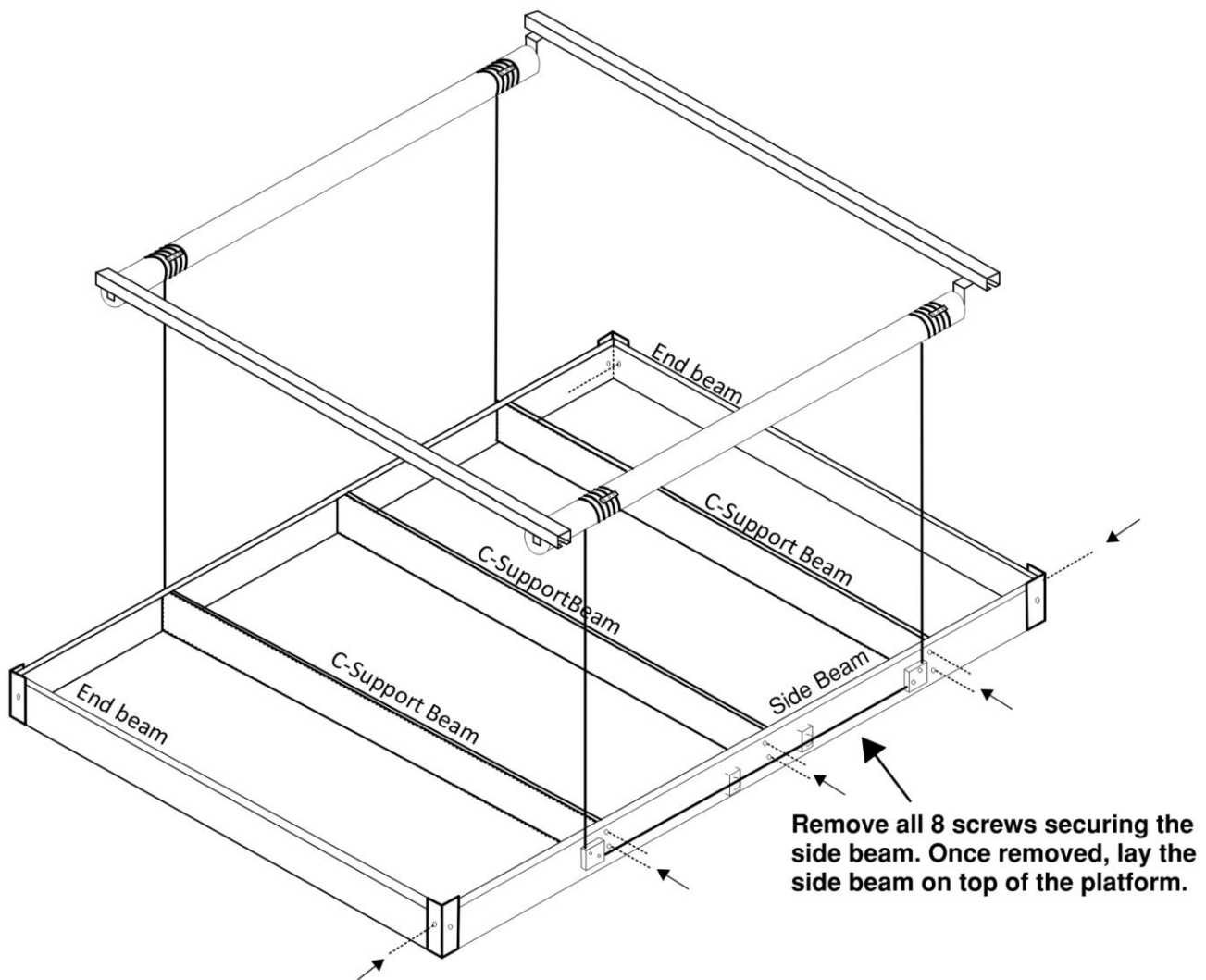


#### **⚠ WIRE ROPE SAFETY**

Never cut the wire rope. Secure all four ropes with cable ties or tape before disassembling the platform. Even without tension, the cable wraps must be neatly side by side with no overlapping.

### **5.3 Remove the Wire Mesh and Side Beam**

1. Remove the wire mesh panels from the platform frame. Set them aside in a safe location.
2. Remove all 8 screws securing one of the side beams to the support beams and corner brackets. Keep the screws!
3. Carefully lay the side beam on top of the platform rack (not on the floor) so they are out of the way during cover installation.

**i Note**

Do not remove the support beams, end beams, or corner brackets. Only the side beams and wire mesh are removed. The cover sheets attach to the support beams.

## 6. Step 2: Position the Cover Sheets

The four cover sheets are placed from the bottom, resting against the support beams and end beams of the platform frame. They are held in place by the caulk bond.

### 6.1 Identify Each Cover

Refer to the dimensions table in Section 3.1. Place each cover in the correct bay:

| Bay (from bottom view)   | Cover   | Width          |
|--------------------------|---------|----------------|
| Outer end — left         | Cover 1 | 23 ¼" / 590 mm |
| Inner — second from left | Cover 2 | 23 ⅝" / 600 mm |
| Inner — third from left  | Cover 3 | 23 ⅝" / 600 mm |
| Outer end — right        | Cover 4 | 24 ⅜" / 620 mm |

### 6.2 Dry-Fit All Four Covers

1. Working from underneath the platform, dry-fit all four covers in their correct bays before applying any caulk. Each cover should rest flush against the support beam on one long edge.
2. Check that the cover sits flat and level against the beam.
3. Verify there are no large gaps at any edge. The cover should span the full bay without overlapping the adjacent cover.

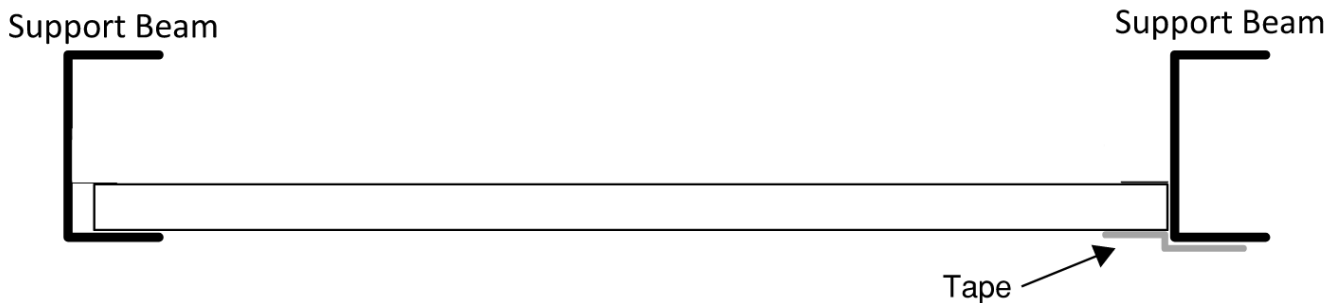
**⚠ IMPORTANT**

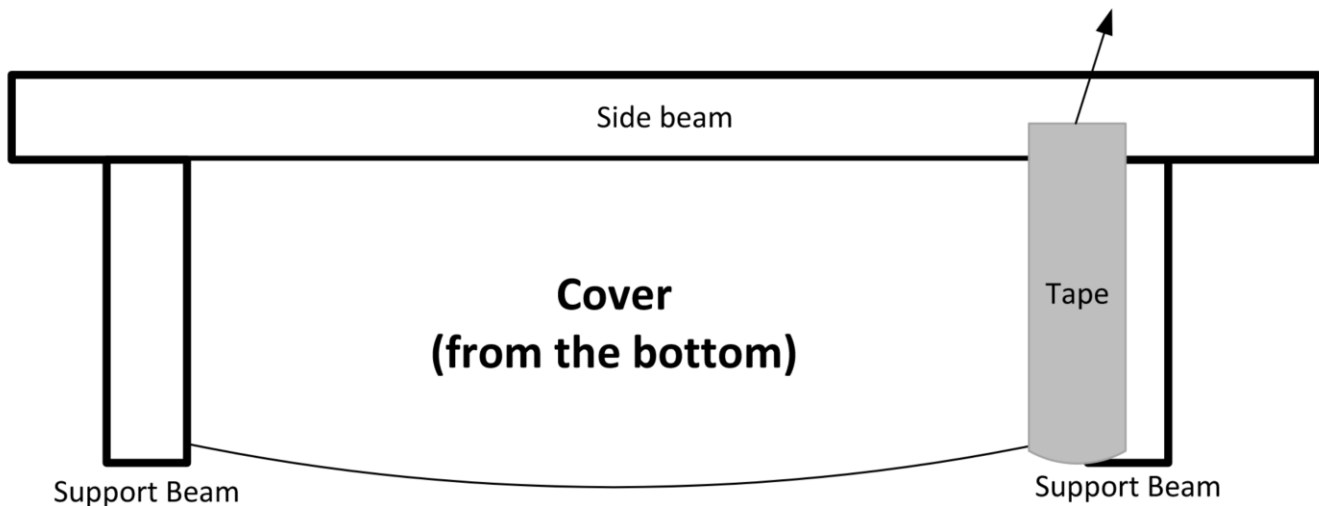
Do NOT apply caulk until you have dry-fitted all four covers and confirmed they are correctly positioned and level. Caulk cannot be repositioned once applied.

## 7. Step 3: Install Painters Tape and Reassemble the Platform

### 7.1 Install Painter's Tape

1. Apply painter's tape along both edges of each support beam at the points of contact with the cover sheet. This will hold the cover securely in place during installation. See reference images below.





## 7.2 Remove Wire Rope Ties

1. Cut and remove all cable ties or tape securing the wire ropes.
2. Check that the wire rope wraps on each motor are still neatly side by side with no overlapping. If any rope has uncoiled, re-coil before proceeding.

## 7.3 Reattach the Side Beam

1. Position the side beam back into the corner brackets on both sides of the platform frame.
2. Reinsert all 8 screws (4 per side) and hand-tighten first.
3. Using the appropriate Allen key or wrench, fully tighten all 8 screws. Check alignment is square before final tightening.

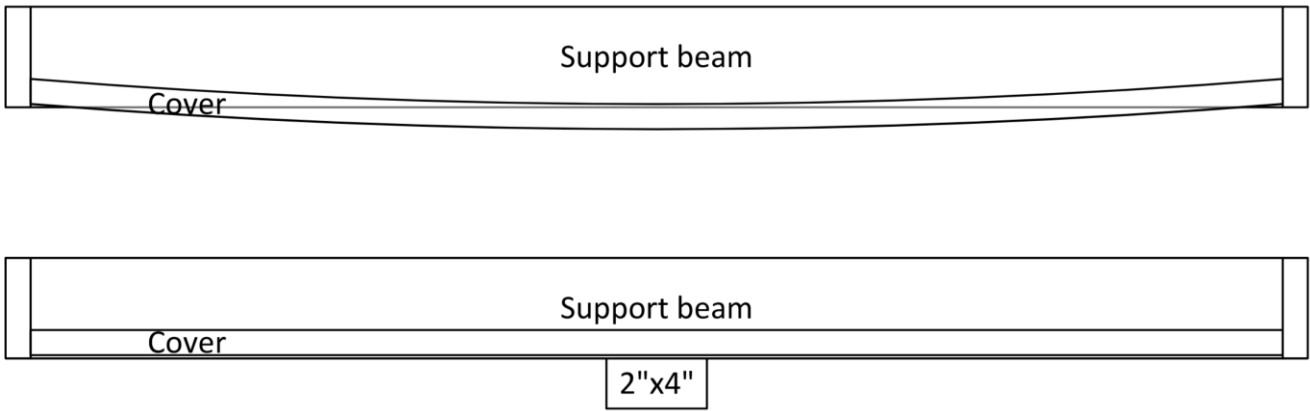
# 8. Step 4: Apply Caulk and Bond Covers

### **⚠ CAULK DRYING TIME**

Allow a minimum of 2 days (48 hours) for the caulk to fully cure before using the platform. Do not load the platform or operate the lift during this period.

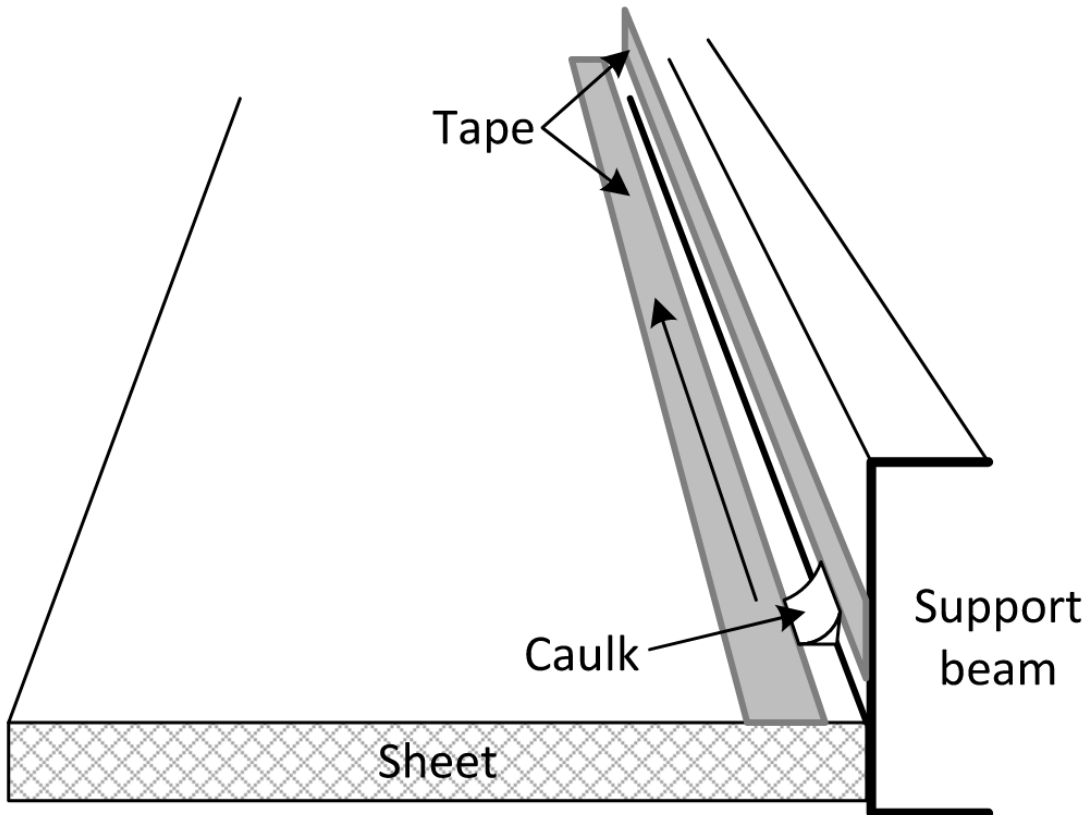
## 8.1 Level and Support the Covers

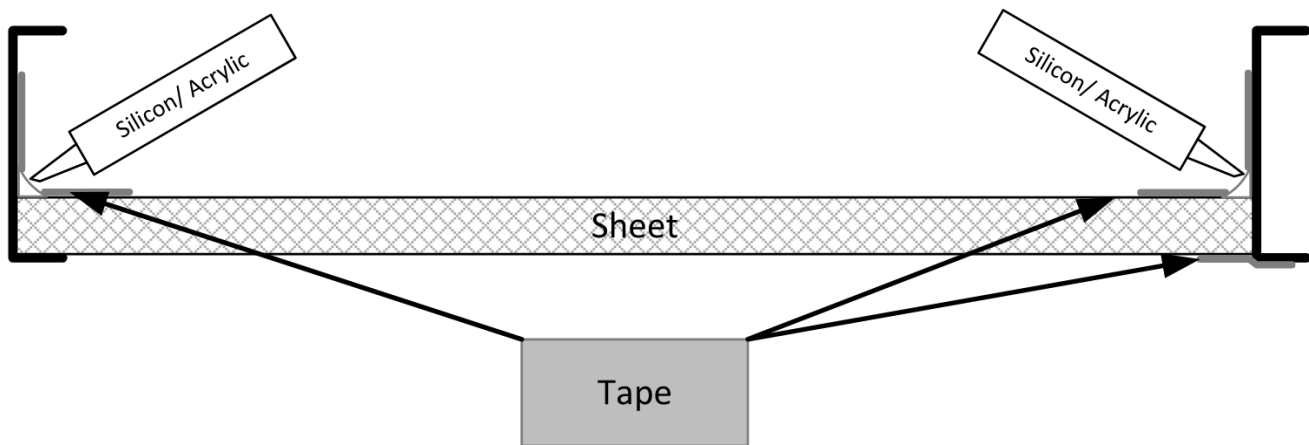
1. Before applying the caulk, clamp an 8-foot 2x4 stud horizontally across the middle of the end beams, pressing lightly against the cover sheets from below to hold them level.
2. Check that all four covers are perfectly level using a level. Insert cardboard sleeves between the 2x4 stud and each cover as needed to fine-tune the level.



### 8.2 Prepare the Surfaces and Apply Caulk

1. Apply painter's tape on the top of the cover as shown below.
2. Clean the contact area of each cover sheet with a dry cloth to remove dust.
3. Working one cover at a time, apply a continuous bead of clear or white silicone or acrylic caulk along the full contact edge of the support beam.
4. Use a putty knife or damp finger to smooth the caulk bead and ensure full contact between cover and beam.
5. Remove the painter's tape carefully while the caulk is still wet. Pull the tape at a 45° angle away from the caulk line for a clean edge.





### **i** Caulk Application Tip

For best results, watch a video on working with silicone caulk before starting. Apply a thin, consistent bead and press the cover firmly and evenly. Avoid air pockets. Visit: [www.youtube.com](http://www.youtube.com) — search "how to work with silicone caulk".

### **⚠ SUPPORT REQUIRED**

The 2x4 support stud must remain in place for the full 2-day curing period. Do not remove it early. The caulk material requires approximately 2 days to fully cure.

## 9. Step 5: Cure Period and Remove Support

After applying the caulk, the platform must remain stationary and supported for the full cure period.

### 9.1 Curing Period

1. Leave the 2x4 support stud in place for the full 2 days. Do not operate the lift.
2. After 48 hours, carefully remove the 2x4 support stud from beneath the platform.
3. Inspect all four caulk joints. The bond should be firm, with no gaps or soft spots. If any section has not cured, wait an additional 24 hours before proceeding.

## 10. Inspection Checklist

Complete this checklist after installation and once per year thereafter. Mark alignment marks on parts that might shift over time using a permanent marker.

| # | Item  | Qty | Done                     |
|---|---|-----|--------------------------|
| 1 | All 4 caulk joints fully cured (min. 2 days)          | —   | <input type="checkbox"/> |
| 2 | All 4 cover sheets bonded firmly — no gaps or lifting | 4x  | <input type="checkbox"/> |
| 3 | All cover sheets level and flush with beams           | 4x  | <input type="checkbox"/> |
| 4 | Side beams reattached with all 8 screws tightened     | 8x  | <input type="checkbox"/> |
| 5 | Wire rope ties or tape removed from all 4 ropes       | 4x  | <input type="checkbox"/> |
| 6 | Wire rope wraps neatly side by side, no overlap       | —   | <input type="checkbox"/> |
| 7 | All open edges and gaps sealed with tape or caulk     | —   | <input type="checkbox"/> |
| 8 | 2x4 support stud removed from beneath the platform    | 2x  | <input type="checkbox"/> |
| 9 | Platform raises and lowers smoothly after reassembly  | —   | <input type="checkbox"/> |

## 11. Troubleshooting

| Problem  | Check / Solution  |
|--|---|
| Cover sheet is not level after caulk cured             | Re-apply a fresh bead of caulk to the low edge and re-support with the 2x4 stud. Allow a further 48 hours to cure.      |
| Cover sheet lifts or peels at one edge                 | The caulk did not bond fully. Clean the contact surface, apply a fresh bead, and clamp the cover firmly for 48 hours.   |
| Gap between adjacent covers                            | Fill with a thin bead of clear silicone. Smooth with a wet finger and allow to cure.                                    |
| Animals or insects entering cover space                | Seal all open edges immediately with painter's tape or clear silicone caulk.  |
| Platform vibrates or sounds different after reassembly | Check that all 8 side beam screws are fully tightened. Verify wire rope wraps are neat and no ties remain on the ropes. |
| Caulk discoloured or cracked after 12 months           | Lightly sand the affected joint, clean the surface, and re-apply a fresh bead of matching clear or white silicone.      |