

AUXXLIFT

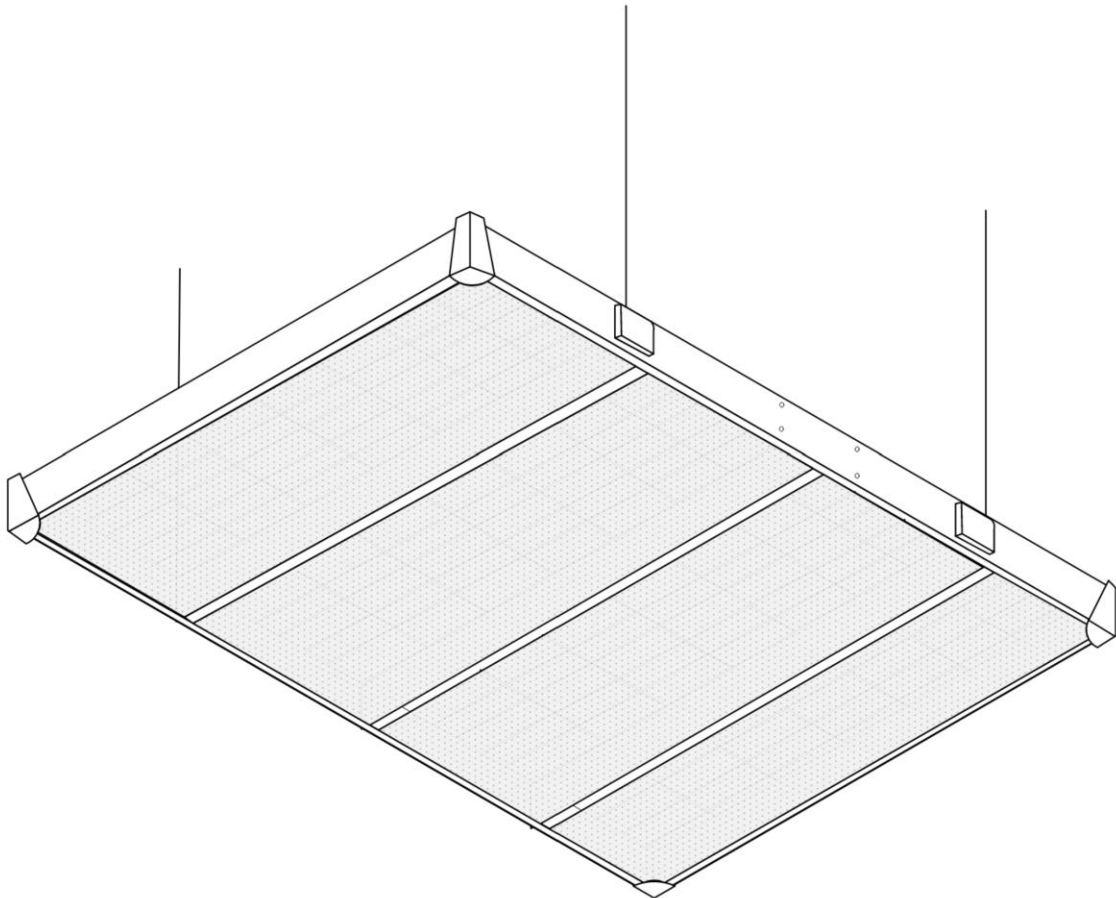
Auxx Cover

Installation Guide

Design and Quality — AUXXLIFT of the USA

All Rights Reserved • US Patent

Release 06/2026/SW — Revised Edition



i Need Help?

Visit www.auxx-lift.com/installation-help for installation videos.

Help phone: PT 9 AM – 5 PM, Mon-Sat, at 1-888-915-5797

www.auxx-lift.com

Table of Contents

| | |
|---|----|
| Table of Contents | 2 |
| 1. Before You Start | 3 |
| 1.1 Pre-Installation Checklist | 3 |
| 1.2 Important Rules | 3 |
| 2. Recommended Tools | 4 |
| 2.1 Required Tools | 4 |
| 2.2 Required Materials (Not Included) | 4 |
| 2.3 Nice to Have | 4 |
| 3. Parts List | 5 |
| 3.1 Cover Sheets | 5 |
| 3.2 Hardware | 5 |
| 4. Planning Your Installation | 6 |
| 4.1 Compatible Models | 6 |
| 5. Step 1: Prepare the Platform | 6 |
| 5.1 Lower the Platform | 6 |
| 5.2 Secure the Wire Ropes | 7 |
| 5.3 Remove the Wire Mesh and Side Beam | 8 |
| 6. Step 2: Position the Cover Sheets | 9 |
| 6.1 Identify Each Cover | 9 |
| 6.2 Insert All Four Covers | 9 |
| 7. Step 3: Re-Install Side Beam and Wire Mesh | 10 |
| 7.1 Reattach Side Beam | 10 |
| 7.2 Re-install Wire Mesh | 10 |
| 8. Step 4: Install Cover Holders | 10 |
| 8.1 Attach Double Sided Tape | 10 |
| 8.2 Glue Covers to the Holders | 11 |
| 9. Inspection Checklist | 12 |

1. Before You Start

⚠ READ COMPLETELY BEFORE BEGINNING

Read through all instructions before starting the installation.

Follow the instructions carefully and in order. If you feel uncomfortable handling the installation, please ask a handyman or work with a contractor.

1.1 Pre-Installation Checklist

1. Have you read through the entire instructions?
2. Do you have all the recommended tools and materials?
3. Is your Auxxlift platform already fully installed, wired, and tested?
4. Have you lowered the platform to a comfortable working height?

1.2 Important Rules

- Do not use an impact driver.
- Clean the work area before you start.
- Wear safety glasses at all times.
- Wear gloves when handling super glue.
- Keep the work area clear of obstructions.

i Need Help?

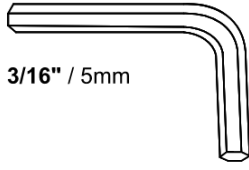
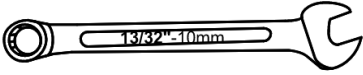
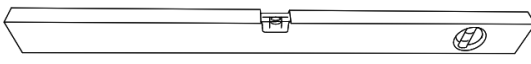




Visit www.auxx-lift.com/installation-help for installation videos.

Help phone: PT 9 AM – 5 PM at 1-888-915-5797

www.auxx-lift.com

2. Recommended Tools

2.1 Required Tools

| Tool | Image | Purpose |
|---------------------------------------|--|--|
| Allen key (hex wrench) - 3/16" (5 mm) |  3/16" / 5mm | Platform assembly and beam screws |
| Wrench – 13/32" (10 mm) |  | Beam fasteners |
| Level (48" or longer) |  | Leveling cover sheets during caulk drying |
| Safety glasses |  | Eye protection (required!) |
| Tape measure |  | Measuring cover positions and clearances |
| Pencil |  | Marking positions on beams |
| Square |  | Checking cover alignment |
| Gloves | | Required when handling super glue. (See Section 8.2 safety warning.) |

2.2 Required Materials (Not Included)

| Material | Specification | Purpose |
|--------------------|------------------------|---|
| 2x4 lumber stud | 8 ft / 2.4 m long (2x) | Supporting the Auxx Lift |
| Cable ties or tape | — | Securing wire ropes before platform disassembly |

2.3 Nice to Have

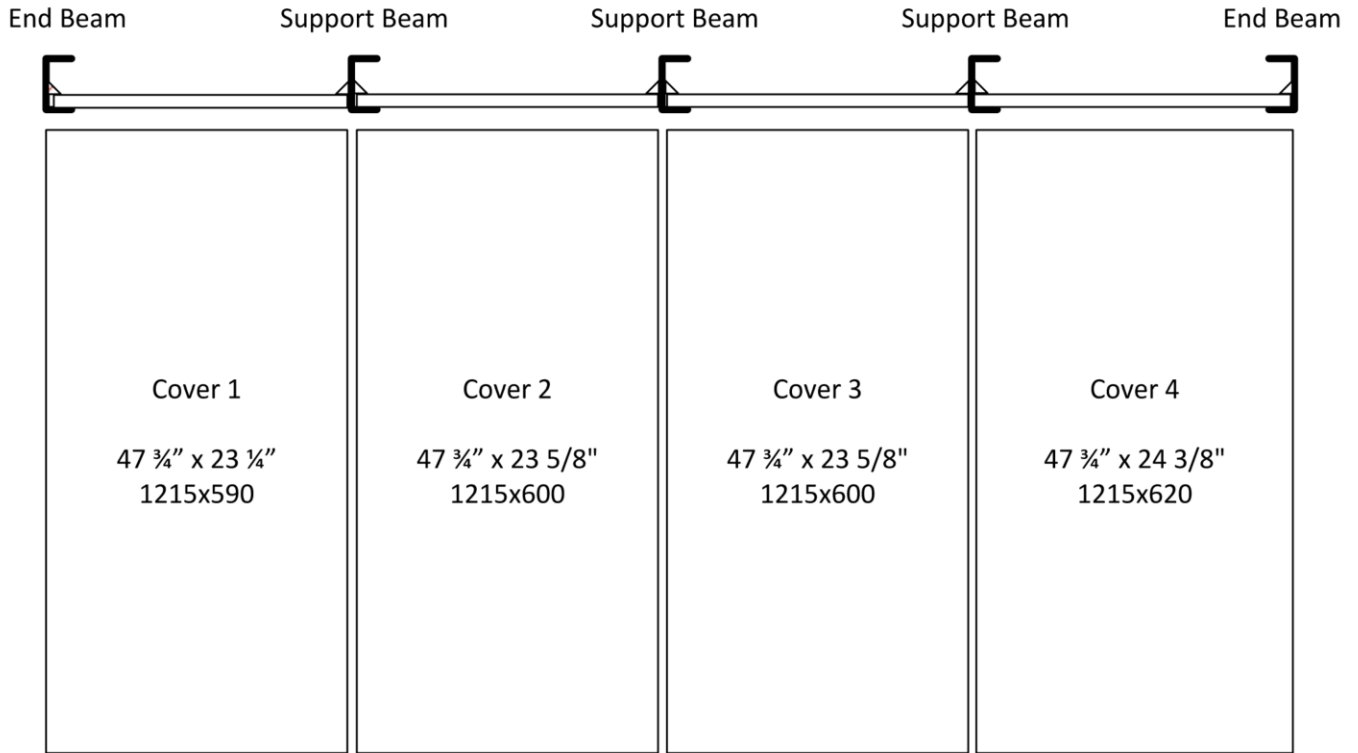
| Tool | Purpose |
|----------|--------------------------------------|
| Headlamp | For working underneath the platform. |

3. Parts List

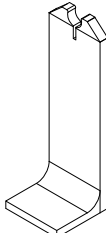
Verify all parts are included before beginning installation.

3.1 Cover Sheets

The AUXX Cover kit includes four polycarbonate cover sheets sized to fit the Auxxlift platform. Each cover is pre-cut to the dimensions below. **Covers 1 and 4 are the end panels (slightly different width)**; Covers 2 and 3 are the inner panels.



3.2 Hardware

| Part | Image | Purpose |
|-------------------------|---|---|
| Cover Holder (x6) |  | Holds the Auxx Covers. |
| Double-sided tape (x12) | - | Attaches the cover holders to the support beams. |
| Tube of super glue (x1) | - | Attaches the cover sheets to the bottom of the cover holders. |

4. Planning Your Installation

4.1 Compatible Models

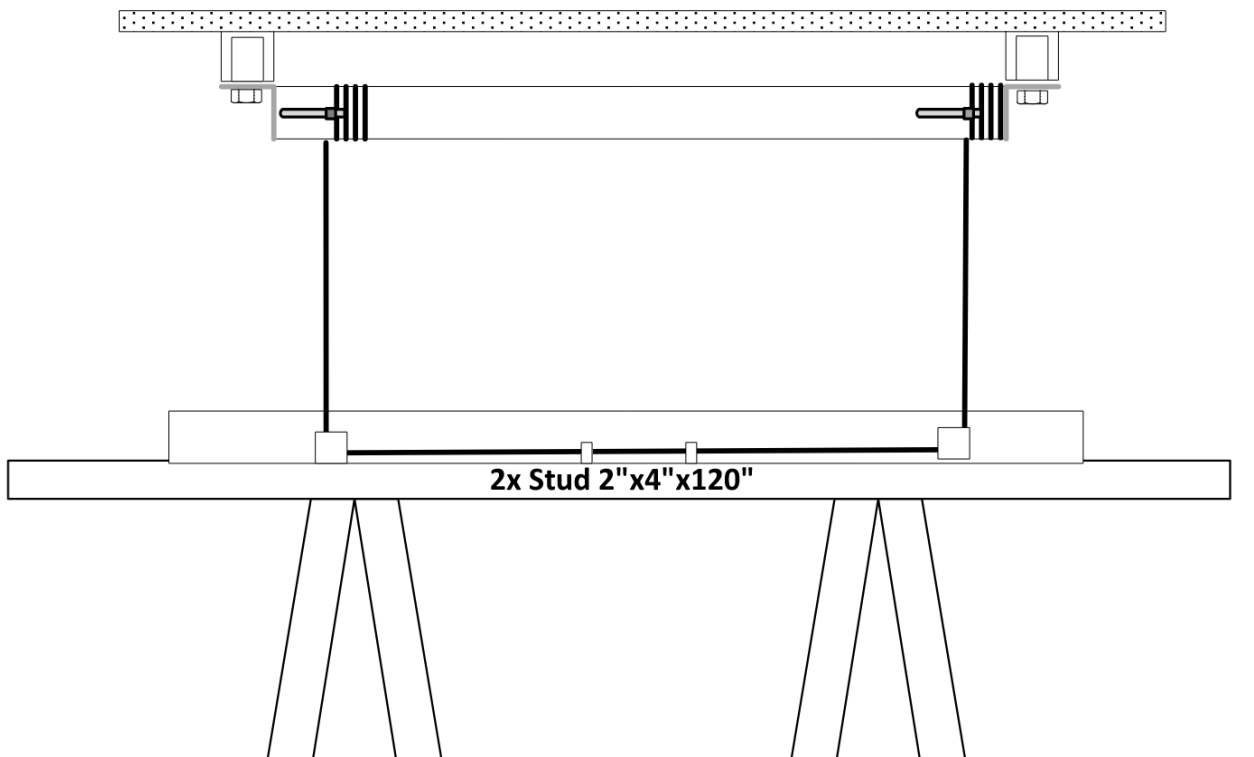
| Auxlift Model | Platform Size | Compatible |
|---------------------|---------------|----------------------|
| Auxlift 2400 / 2600 | 4' x 8' | ✓ Yes — standard fit |

5. Step 1: Prepare the Platform

Before installing the cover sheets, the platform must be lowered, stripped of its wire mesh, and partially disassembled to allow the cover sheets to be positioned correctly.

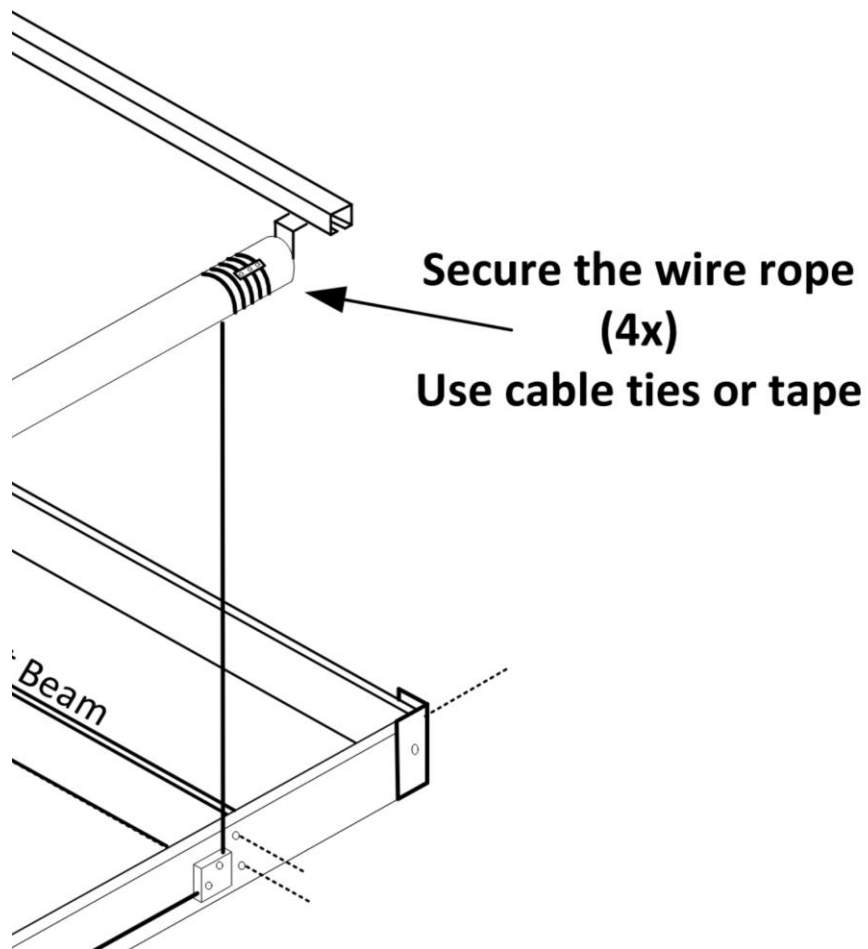
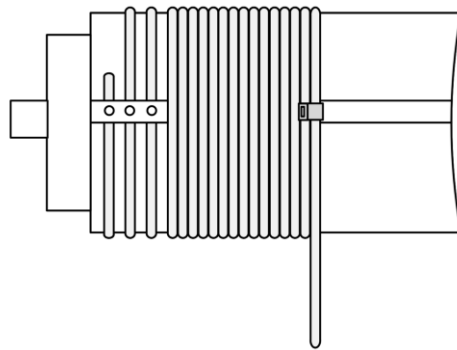
5.1 Lower the Platform

1. Set up the two 2x4 studs sawhorse-style under the platform's path, at a height of approximately 36-40" from the floor.
2. Using the remote control, lower the Auxlift platform down onto the support studs.
3. Power off the Auxlift controller before working on and around the lift.



5.2 Secure the Wire Ropes

1. Before removing any fasteners, secure the four wire ropes so they cannot uncoil. Use cable ties or tape at each motor end as shown in the diagram below.
2. The rope must remain neatly coiled — always leave a minimum of 2 coils on each motor.

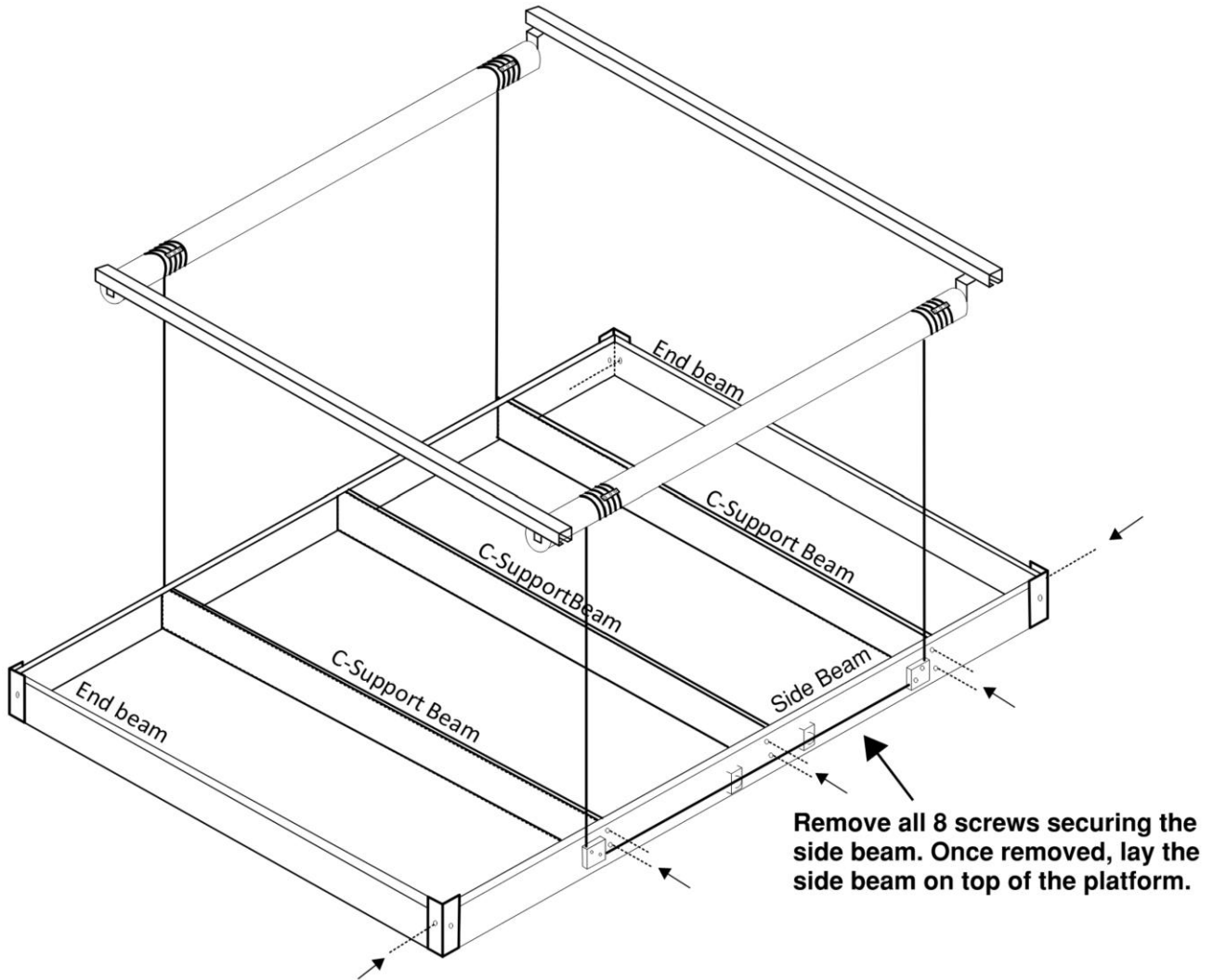


⚠ WIRE ROPE SAFETY

Never cut the wire rope. Secure all four ropes with cable ties or tape before disassembling the platform. Even without tension, the cable wraps must be neatly side by side with no overlapping.

5.3 Remove the Wire Mesh and Side Beam

1. Remove the wire mesh panels from the platform frame. Set them aside in a safe location.
2. Remove all 8 screws securing one of the side beams to the support beams and corner brackets, using the Allen key and wrench. Keep the screws!
3. Carefully lay the side beam on top of the platform rack (not on the floor) so they are out of the way during cover installation.



i Note

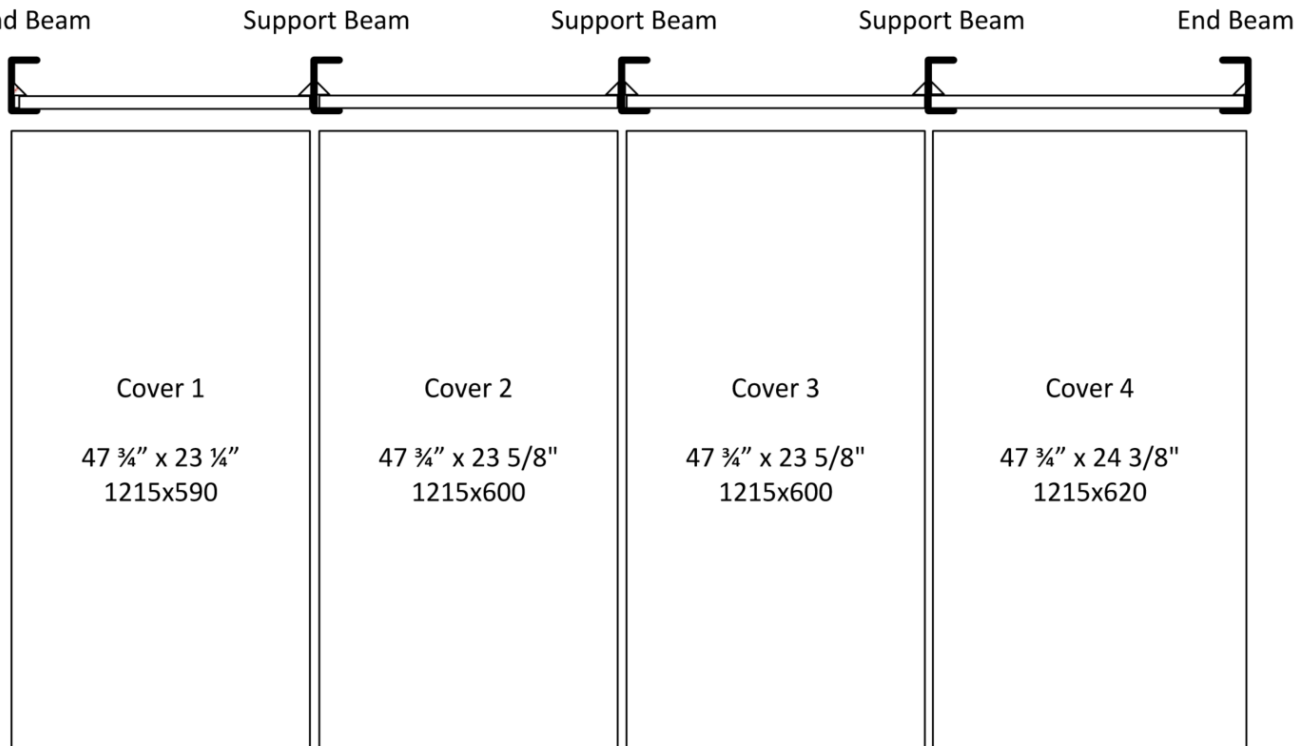
Do not remove the support beams, end beams, or corner brackets. Only the side beams and wire mesh are removed. The cover sheets attach to the support beams.

6. Step 2: Position the Cover Sheets

With the side beam removed in Step 1, the four cover sheets slide in laterally through the open side and rest in their bays against the support beams and end beams. They are later held in place by the beam channel and the cover holders installed in Step 4.

6.1 Identify Each Cover

Refer to the dimensions table below and in Section 3.1. Place each cover in the correct bay:



6.2 Insert All Four Covers

1. From the side, slide in all four covers in their correct bays.
2. Check that the cover sits flat and level inside the beams.
3. Verify there are no large gaps at any edge. The cover should span the full bay without overlapping the adjacent cover.

7. Step 3: Re-Install Side Beam and Wire Mesh

7.1 Reattach Side Beam

1. Position the side beam back into the corner brackets on both sides of the platform frame.
2. Reinsert all 8 screws (4 per side) and hand-tighten first.
3. Using the appropriate Allen key and wrench, fully tighten all 8 screws. Check alignment is square before final tightening.

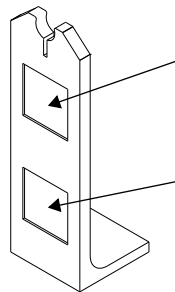
7.2 Re-install Wire Mesh

1. Place all four wire mesh panels back into their original locations, laying into the wire mesh holders.

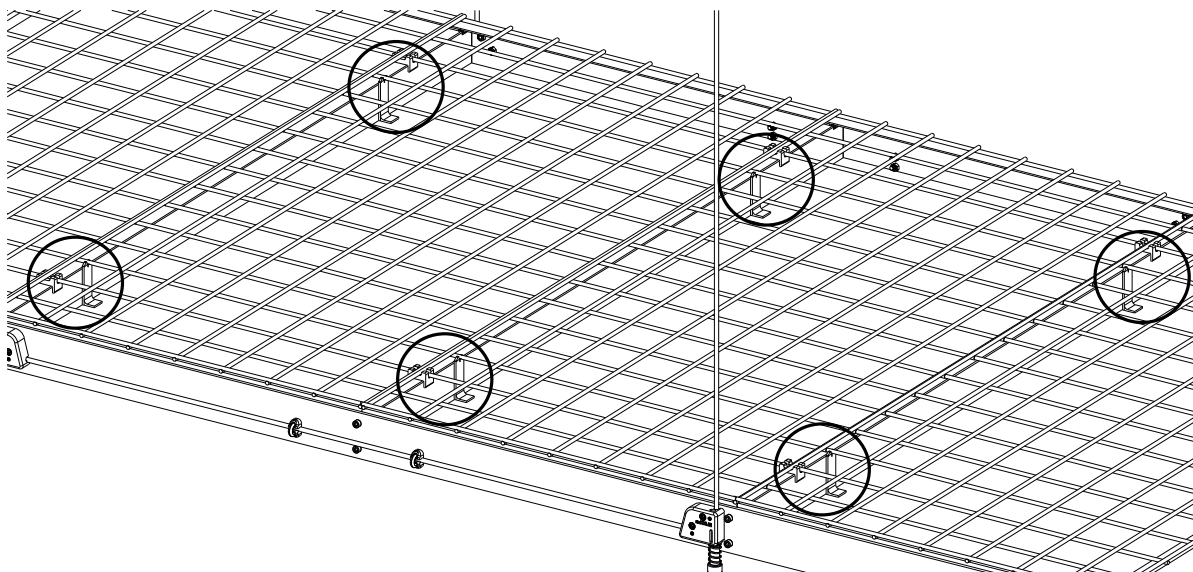
8. Step 4: Install Cover Holders

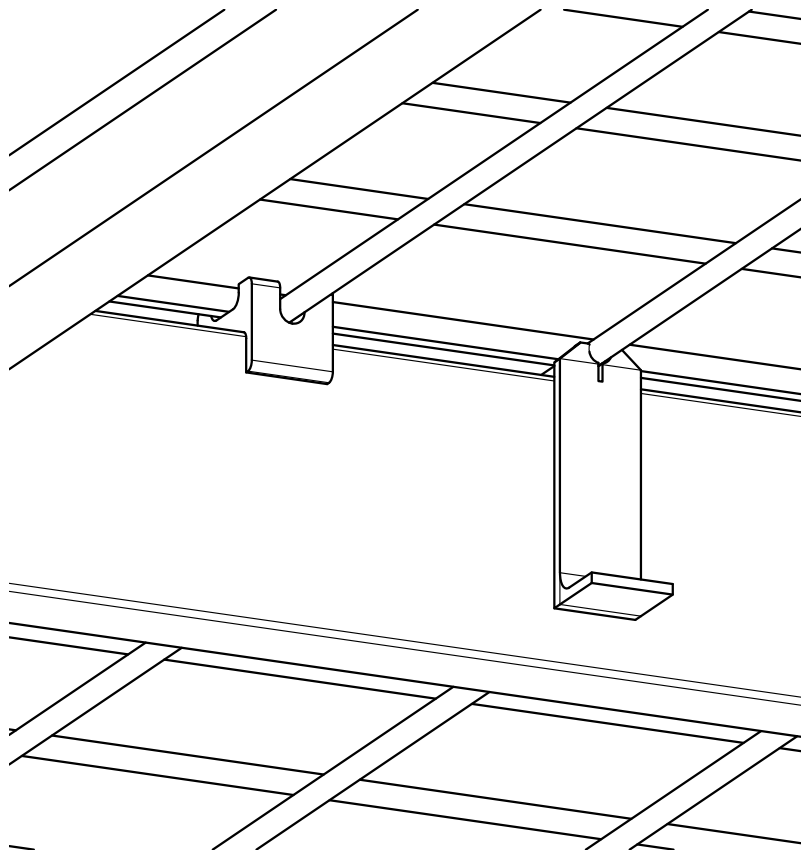
8.1 Attach Double Sided Tape

1. Apply the double-sided tape to all six cover holders at their pre-marked locations (see below) - 2 pieces per holder per holder.



2. Working one holder at a time, remove the tape's seal immediately before mounting that holder (don't pre-peel multiple holders at once).
3. Snap the holder onto the wire mesh about 1 inch from its marked position, then slowly slide it toward the support beam.
4. Confirm the holder is completely straight, then press it firmly onto the beam and hold for 10–15 seconds to set the bond.
5. Repeat steps 2–4 for the remaining five holders.





8.2 Glue Covers to the Holders

1. For each sheet, apply one drop of super glue to the top surface directly below each cover holder it meets. Work on one cover at a time.
2. Press the sheet firmly up against the holder(s) and hold for 30 seconds.
3. Move to the next cover sheet and repeat steps 1–2.
4. For best results, leave bonded items undisturbed for at least 10 minutes. Full cure time is 24 hours.

⚠ SUPER GLUE SAFETY

Handle super glue with care. Avoid contact with eyes, skin, and clothing. Wear safety glasses and gloves while applying.

Do not apply directly overhead — position your face and eyes away from the application point, since you'll be working underneath the platform.

Eyes: If contact occurs, flush immediately with water for 15 minutes. Seek medical attention right away.

Skin: Bonds instantly. If skin bonds together, flush with water.

Ingestion: Harmful if swallowed. Do not induce vomiting. Contact your doctor immediately.

Use in a well-ventilated area — vapors can irritate eyes, nose, and throat. Keep away from open flame or heat sources. Keep out of reach of children, and recap the tube tightly after each use.

9. Inspection Checklist

Complete this checklist after installation and once per year thereafter. Mark alignment marks on parts that might shift over time using a permanent marker.

| # | Item | Qty | Done |
|---|---|-----|--------------------------|
| 1 | All cover sheets level and flush with beams | 4x | <input type="checkbox"/> |
| 2 | Side beams reattached with all 8 screws tightened | 8x | <input type="checkbox"/> |
| 3 | Wire rope ties or tape removed from all 4 ropes | 4x | <input type="checkbox"/> |
| 4 | Wire rope wraps neatly side by side, no overlap | — | <input type="checkbox"/> |
| 5 | 2x4 support stud removed from beneath the platform | 2x | <input type="checkbox"/> |
| 6 | Cover holders securely taped to support beams, no movement when gently pulled | 6x | <input type="checkbox"/> |
| 7 | Cover sheets bonded to holders, no movement when gently tested | 4x | <input type="checkbox"/> |
| 8 | Platform raises and lowers smoothly after reassembly | — | <input type="checkbox"/> |