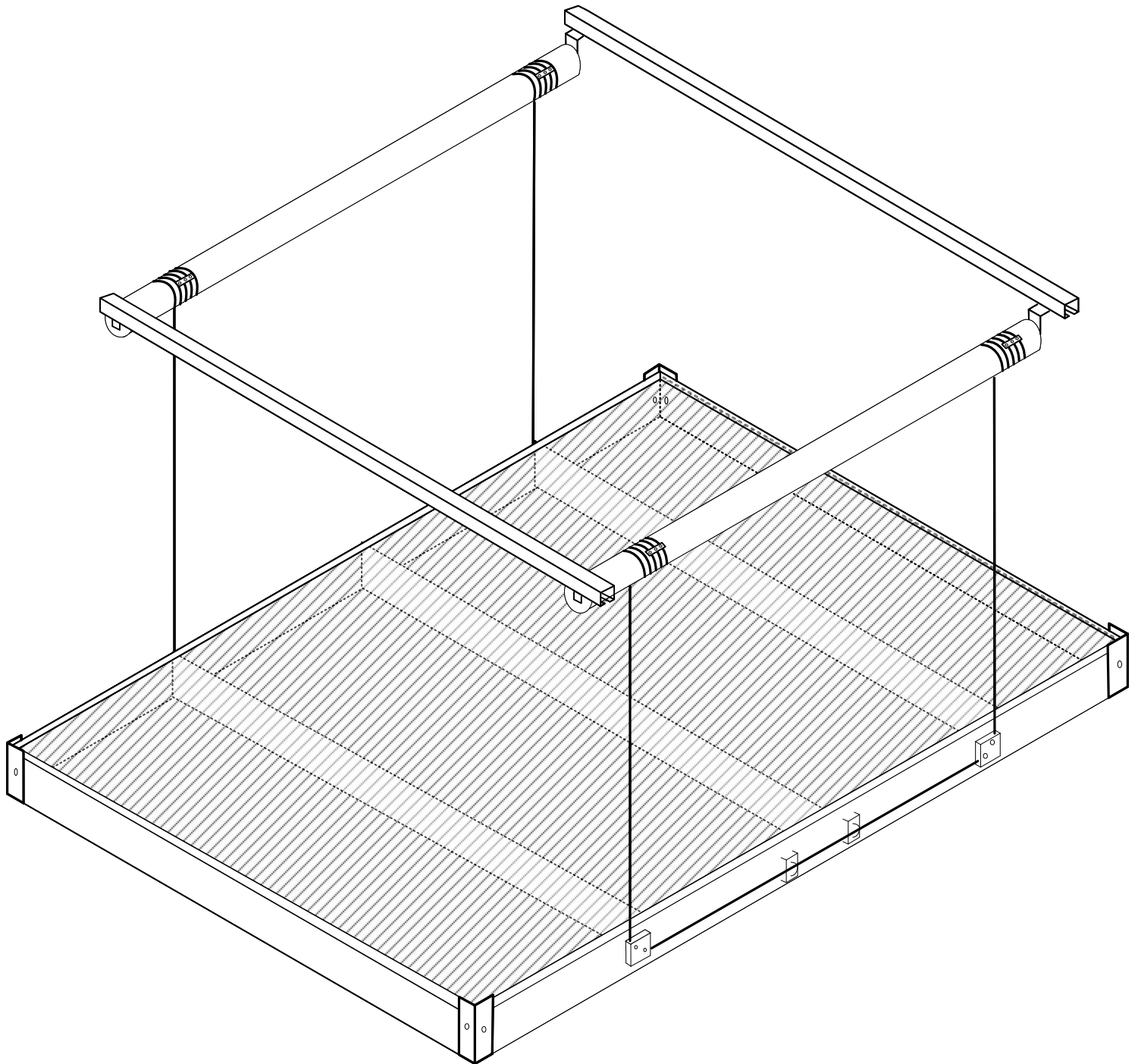


AUXXLIFT 2400 / 2600



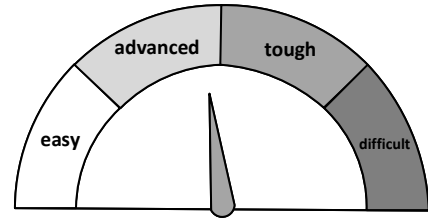
All rights reserved
US Patent
Release 07/2021/SW



Design and Quality
AUXXLIFT of the USA

Before YOU start

1. Have you read through the instructions?
2. Do you have all the recommended tools?
3. Do you have somebody assisting you?
4. Have you allocated enough time?

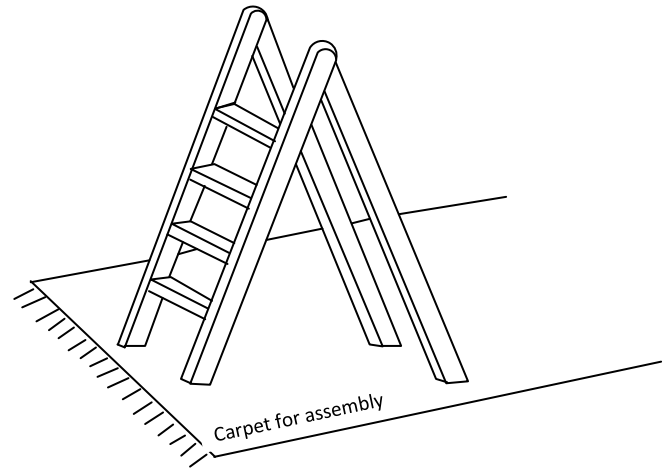


For a professional it takes about 3 hours to install.

What is most important is to follow the instructions

and read everything carefully before you start.

5. You need a good, stable ladder.
6. Don't use an impact driver.
7. Clean the area before you start.
8. Wear safety glasses!
9. Keep work area clear!



Check measurements during construction.

Make sure that nothing is in the way e.g. windows, doors etc.

10. Does your garage ceiling have or has had termites?
11. Are the joists strong and big enough? (2" x 4" at least)
12. Mounting to a concrete ceiling requires anchors!
13. Has your home been built according to valid standards and guidelines?
14. If you have doubts about the ceiling construction, please ask a specialist!

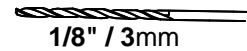
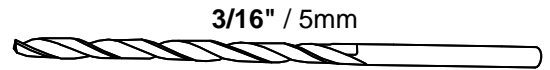
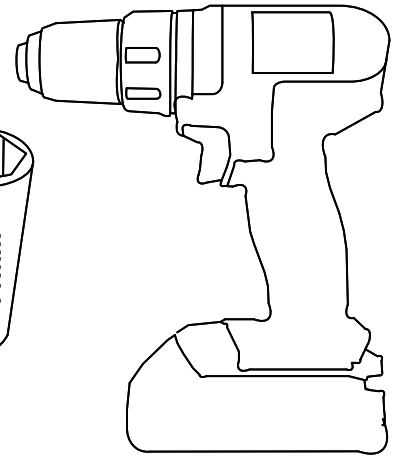
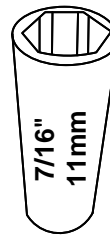
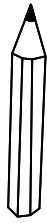
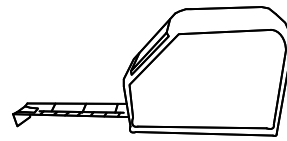
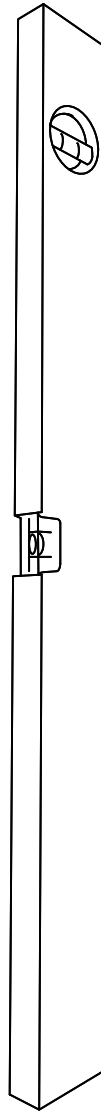
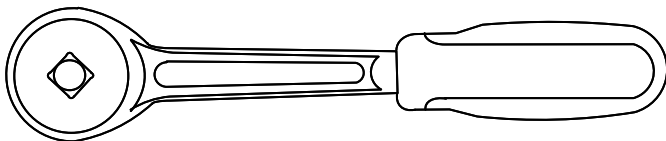
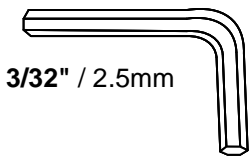
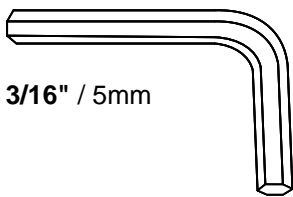
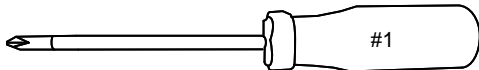
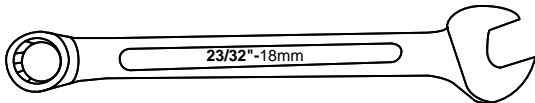
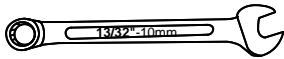
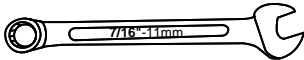
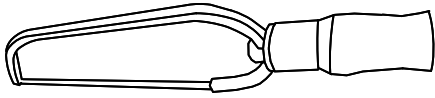
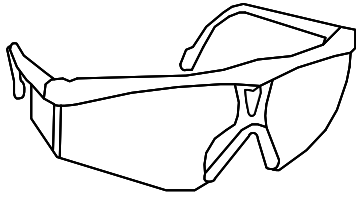
If you have any problems understanding the instructions or you feel uncomfortable handling the installation, please ask a handyman or work with a contractor. Call/ write us if you need help or have concerns or questions.



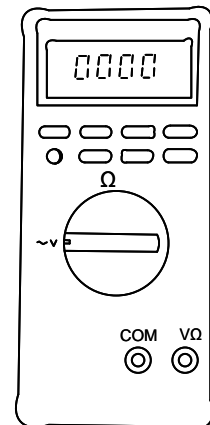
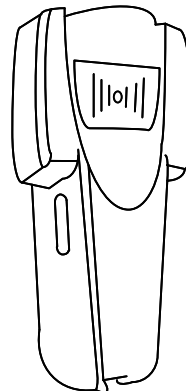
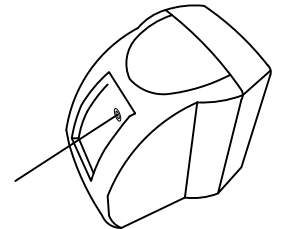
www.auxx-lift.com

Help phone: PST 10 am -3 pm 1 805 862 8271

RECOMMENDED TOOLS

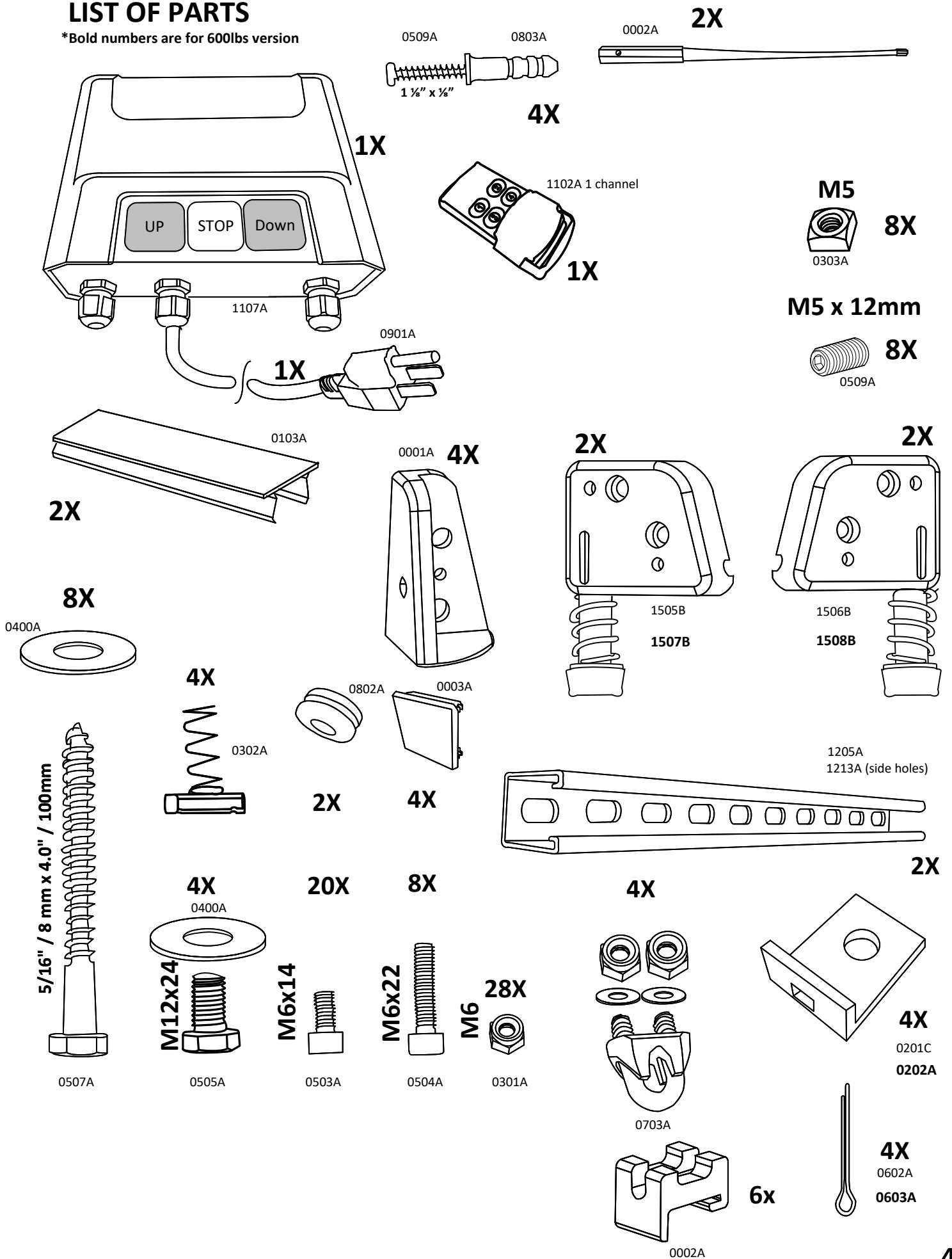


Nice to have



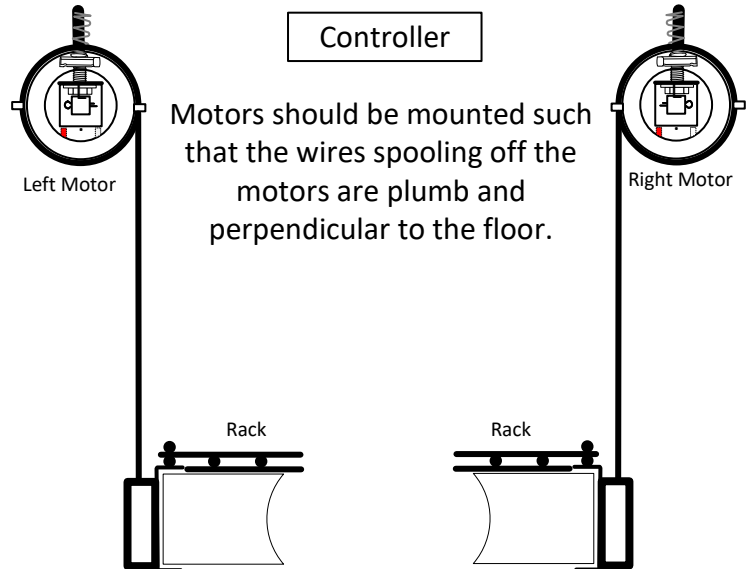
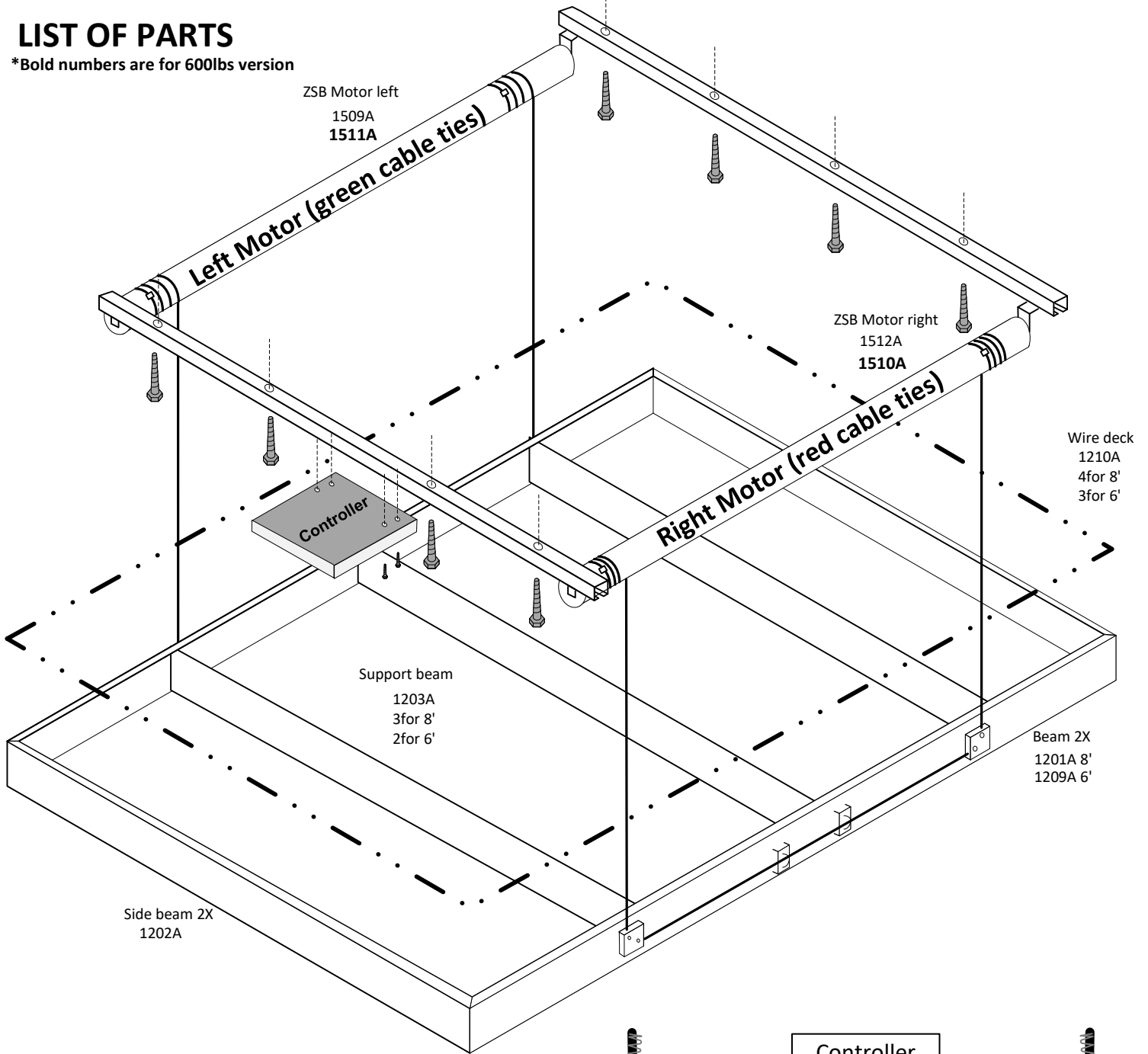
LIST OF PARTS

*Bold numbers are for 600lbs version



LIST OF PARTS

*Bold numbers are for 600lbs version

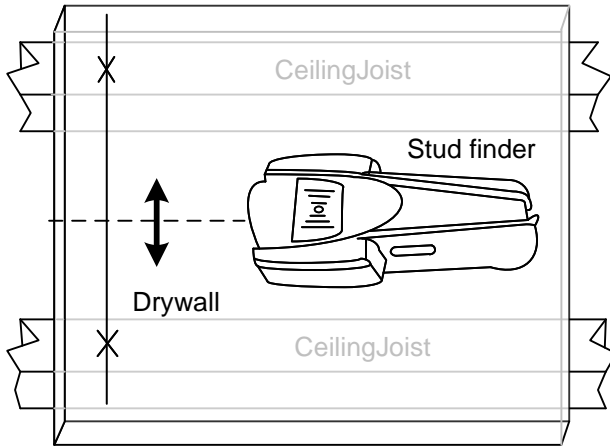


i Information

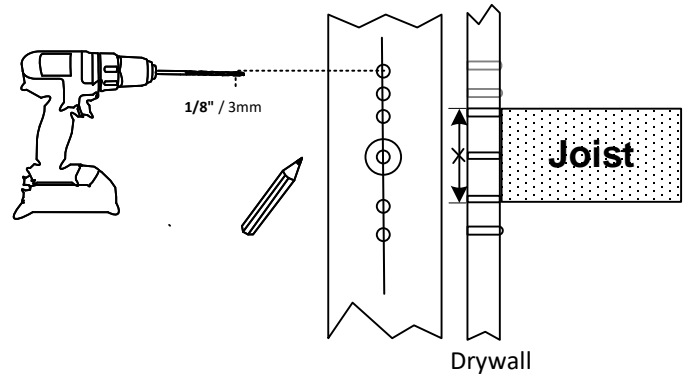
t Troubleshooting



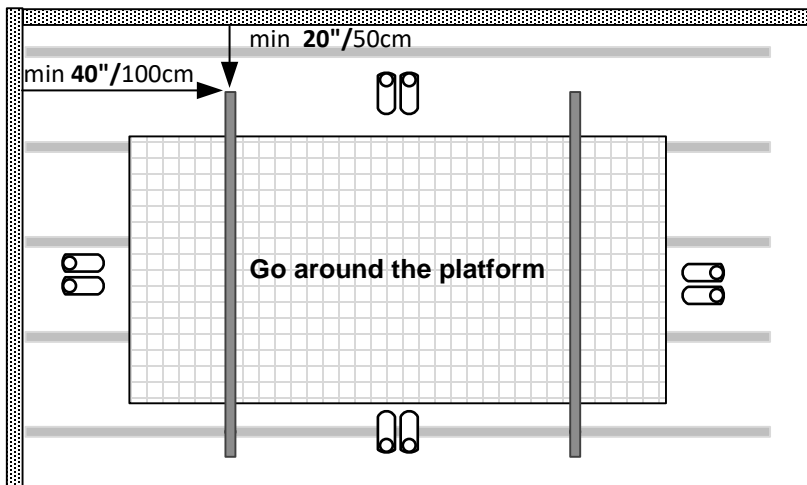
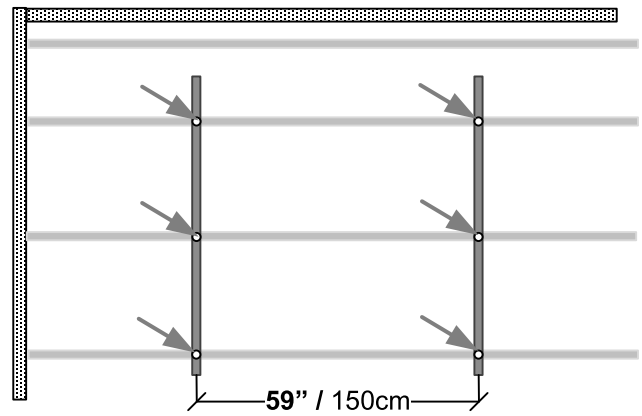
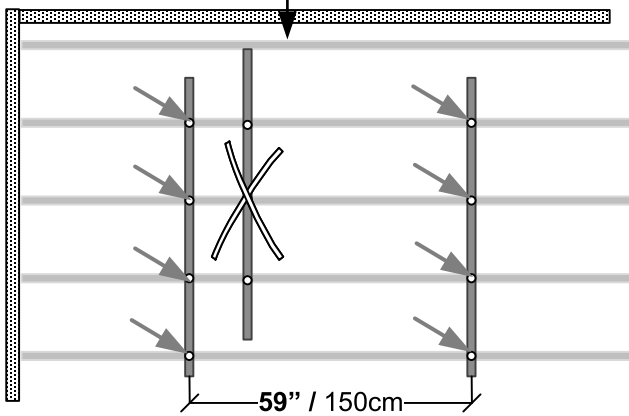
Option 1



Option 2



Rail overhang on joists should be less than 12" / 30cm

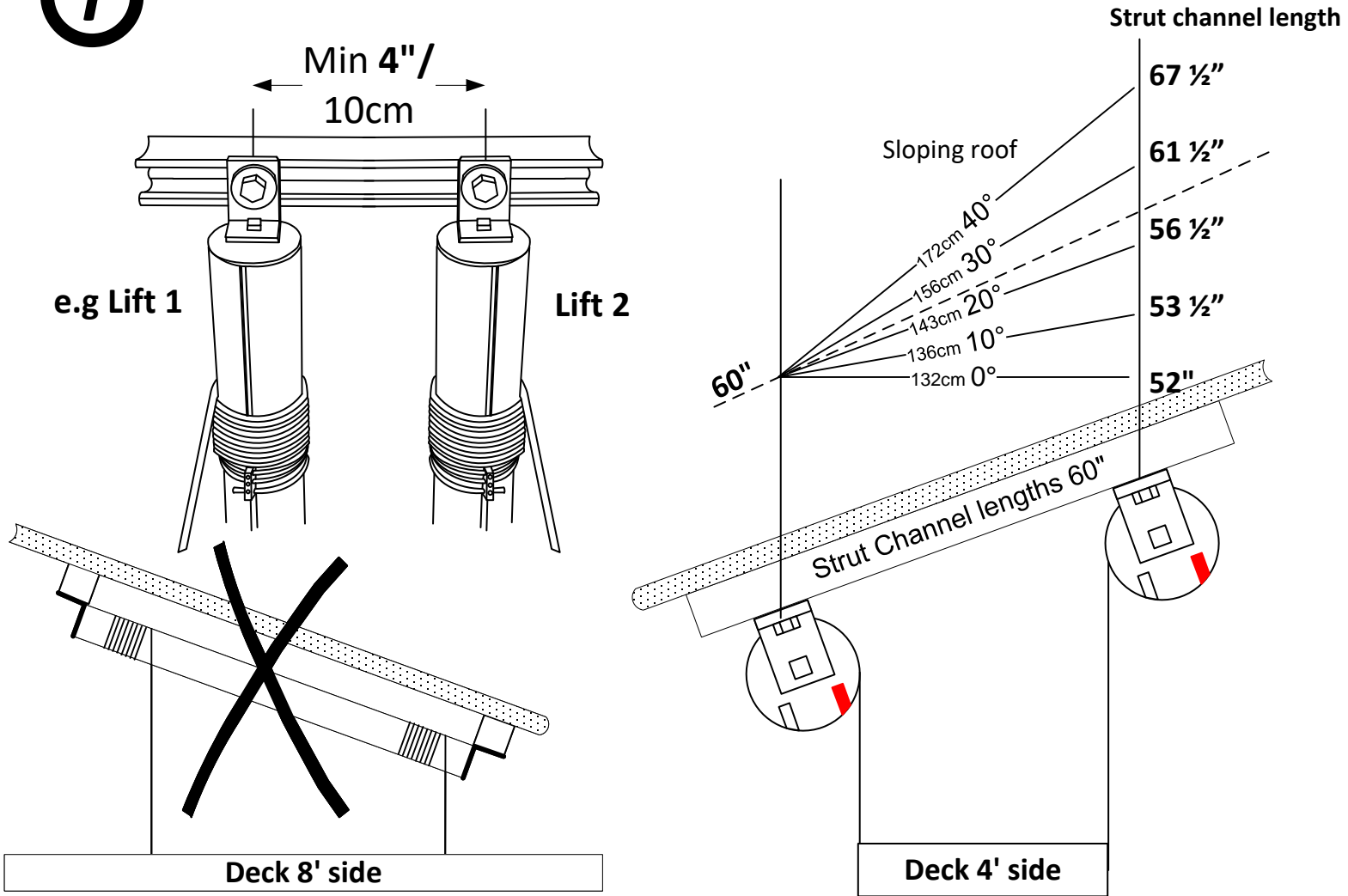


! If you have doubts about the ceiling construction, please ask a specialist!

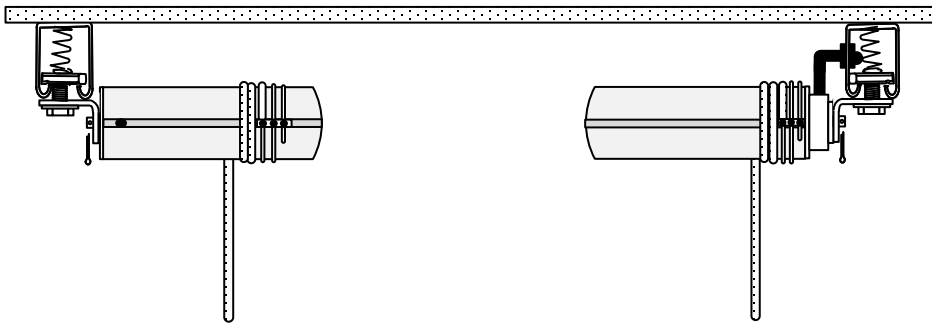
*For installations where joists are rotated 90°, please visit Page 11
Minimum Required Area, please visit Page 10*



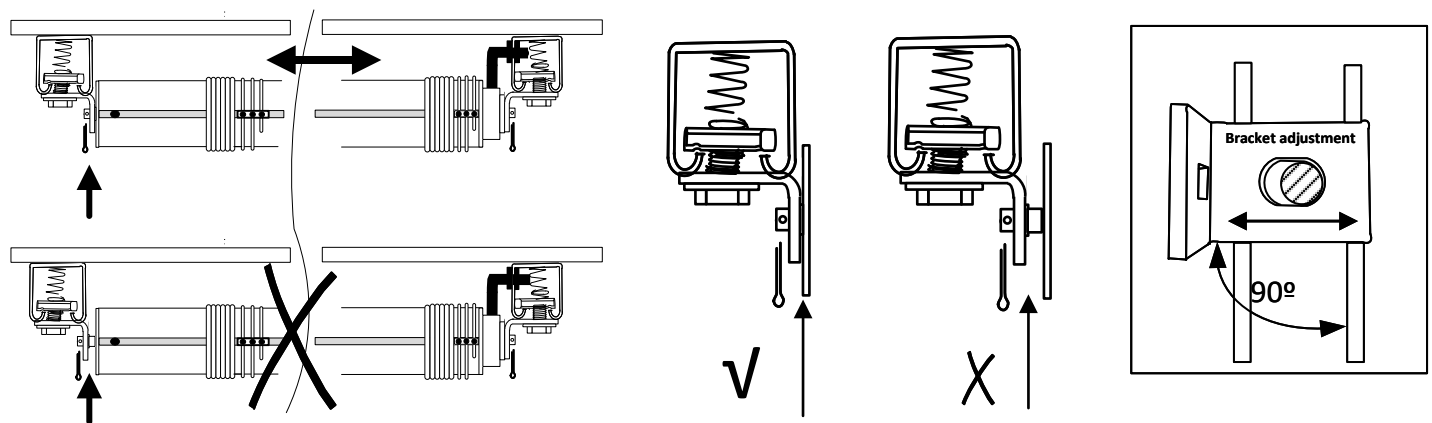
Do's and Don'ts

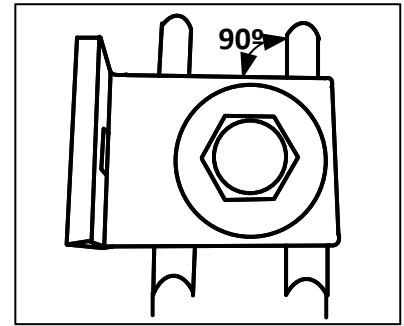
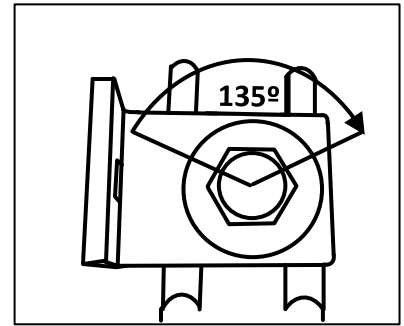
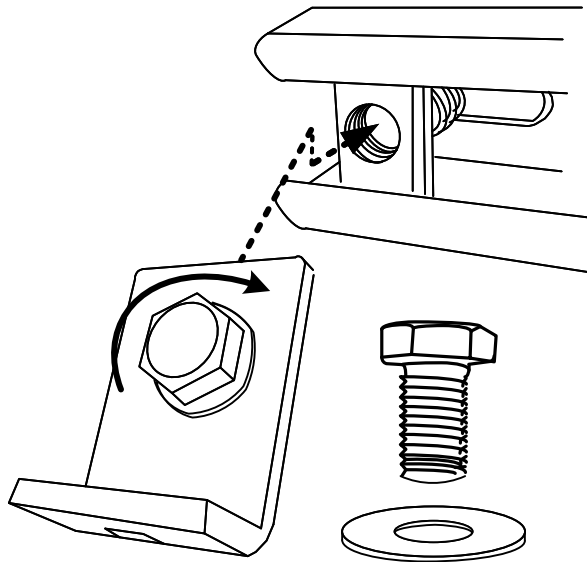
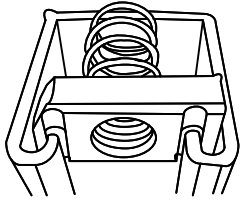


Maximum Uncoil

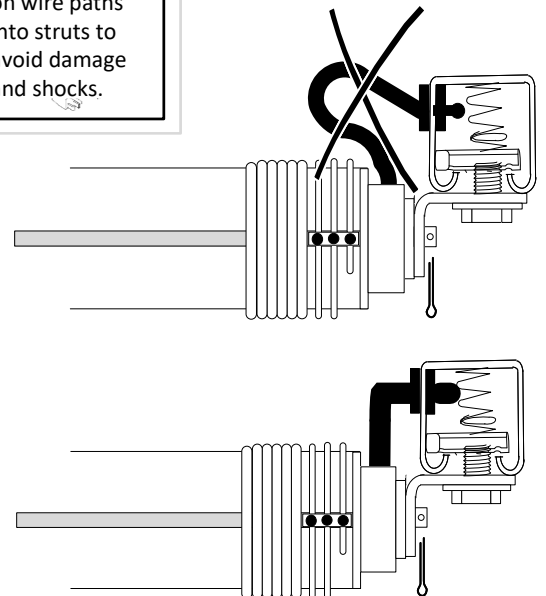
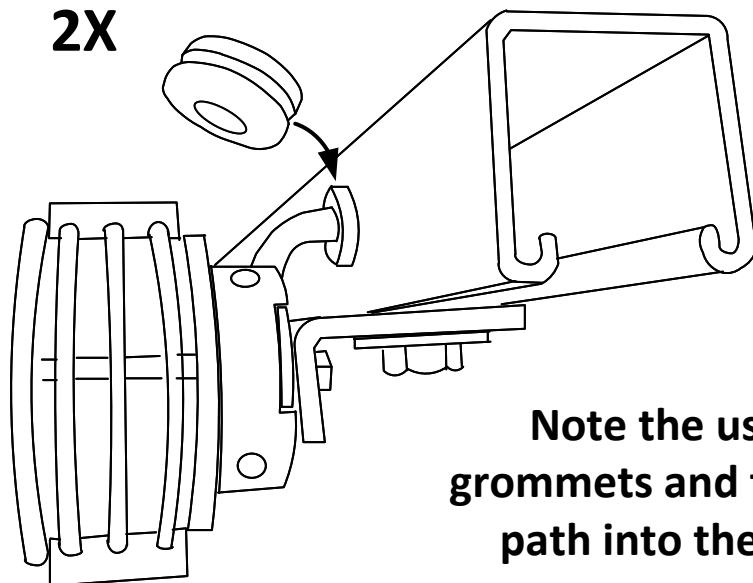
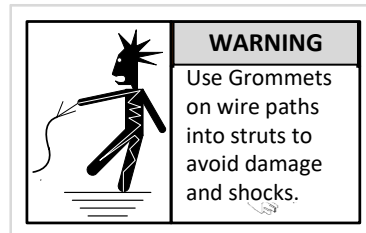
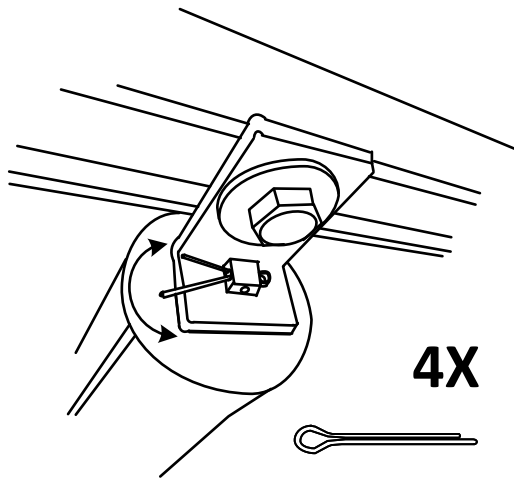
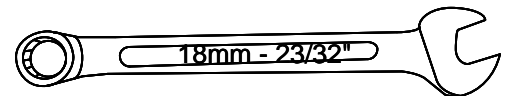


Gap between bracket and motor should not exceed 1/16" / 1mm





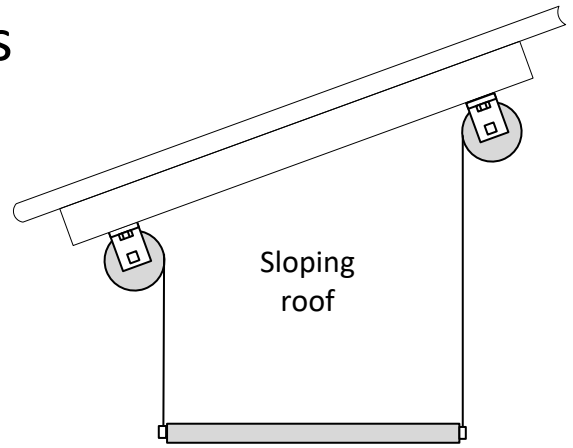
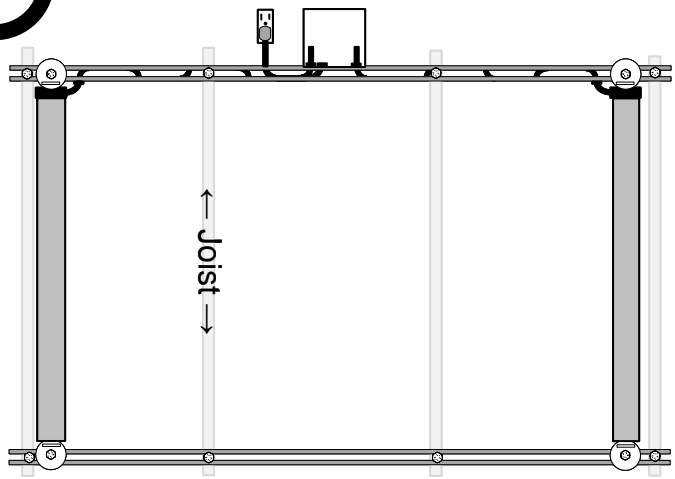
Tighten screw until the washer no longer rotates. Then tighten screw another 135° in the same direction.



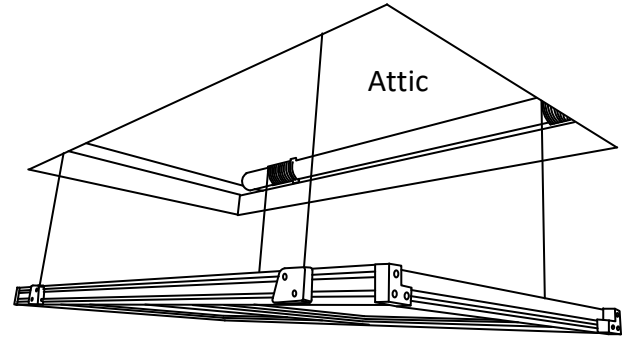
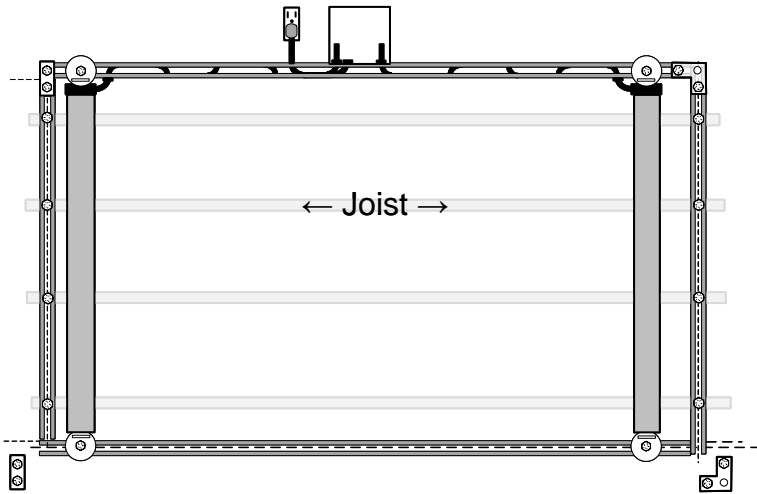
Note the use of grommets and the wire path into the strut



Options



Sloping roof

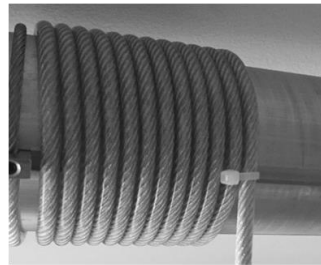


Attic

Projects in which the wire rope lose tension



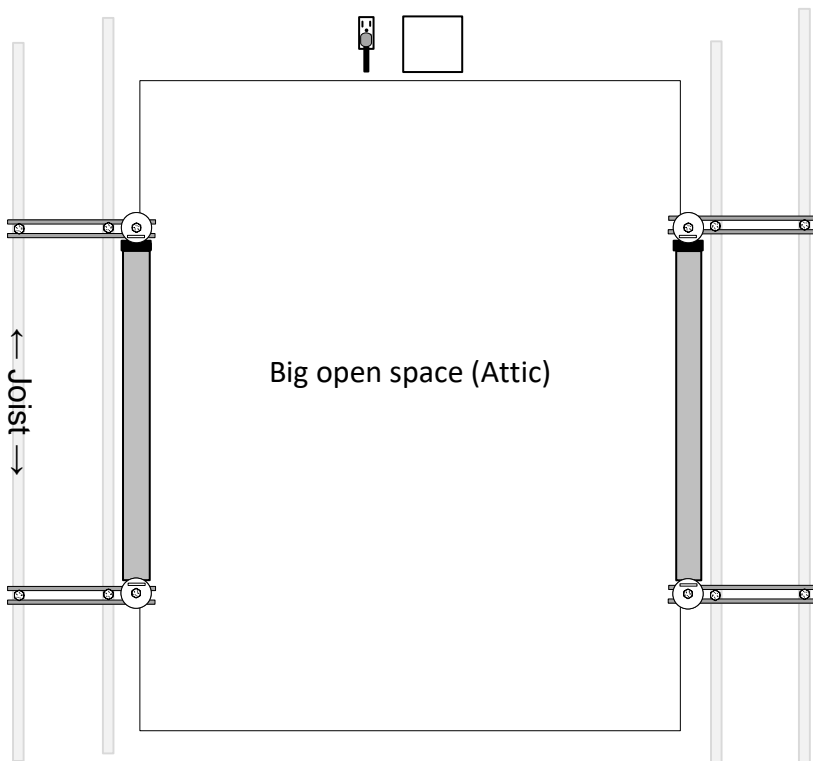
Wire rope wound up



Maximum unwound
Cable tie tightened around the last two turns



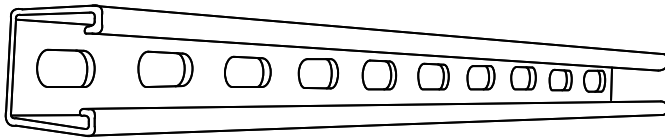
Even without tension the cable wraps are neatly side by side and no overlapping.



Big open space (Attic)

1

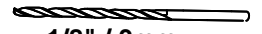
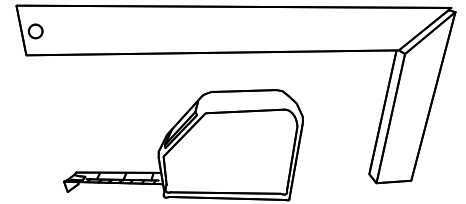
Strut Channels



2X



2X



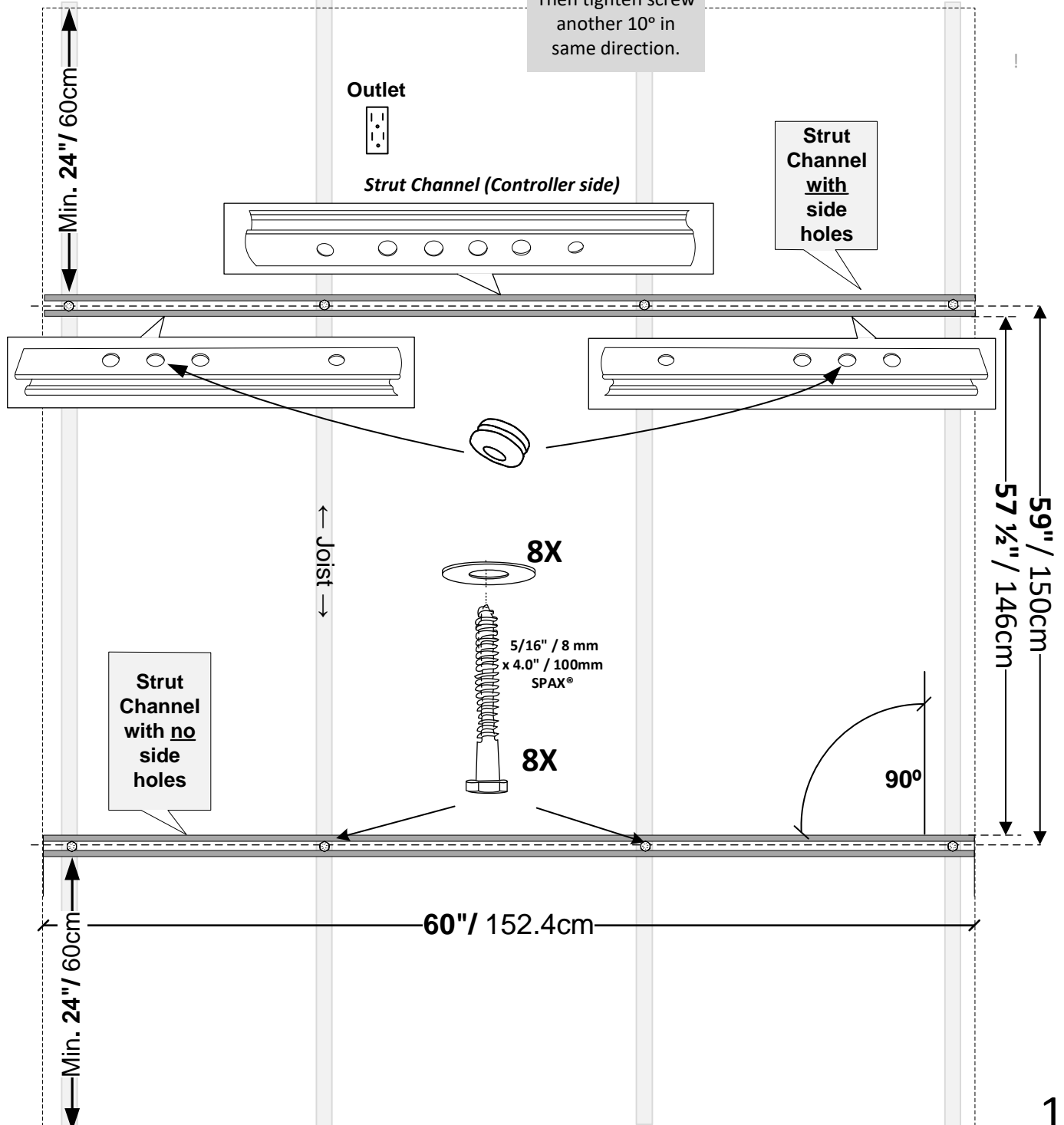
1/8" / 3mm
(For pilot hole)

Warning!

DO NOT use an Impact Driver to tighten the Lag screws!
Tighten screw until the washer no longer rotates.

Then tighten screw another 10° in same direction.

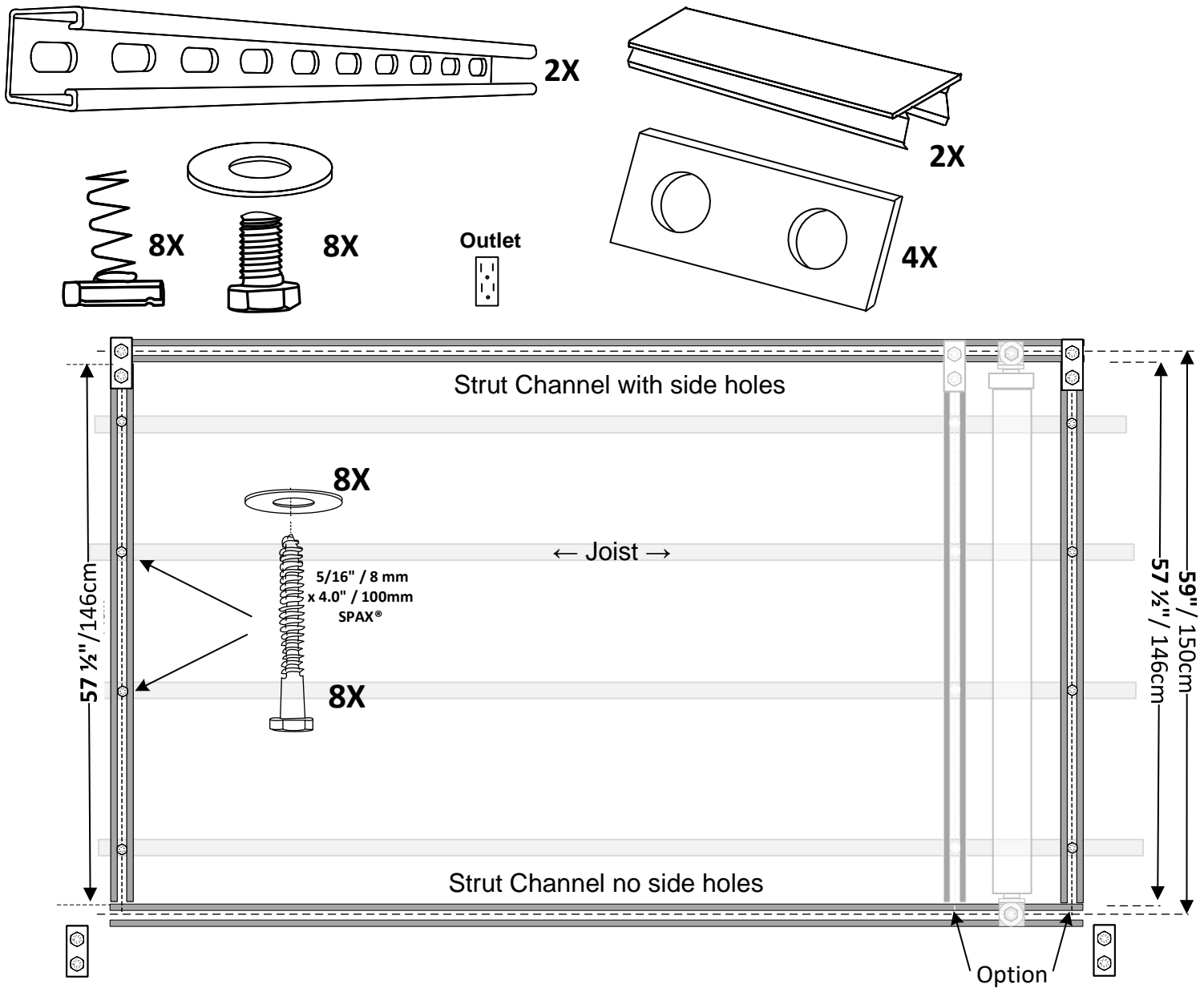
Min. Required Area



2

Strut Channels

Joists rotated 90° from Standard: Extra Strut Channels required (not included)



Extra material for this configuration is not included. You will find the below materials at any big-box hardware store or order it from us (contact us).

1x Strut Channel 10'

8x Strut Spring Nuts 1/2"

8x Strut Screws Hex-Head Bolt

4x Strut Brackets

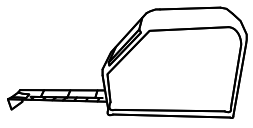
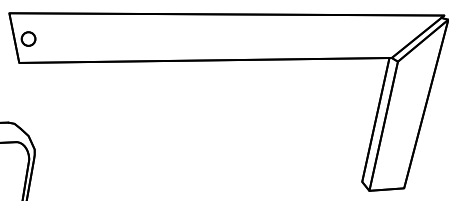
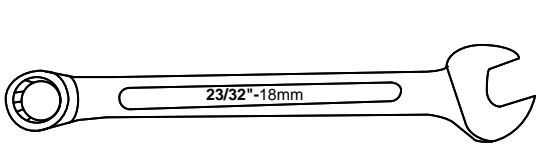
Model # ZA12HS10EG

Model # ZA1001/2EG-10

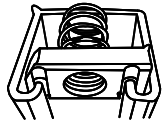
Model # ZE142121516EG10

Model # ZAB206EG-10

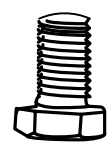
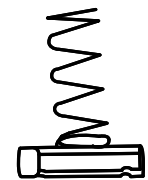
3
Motors



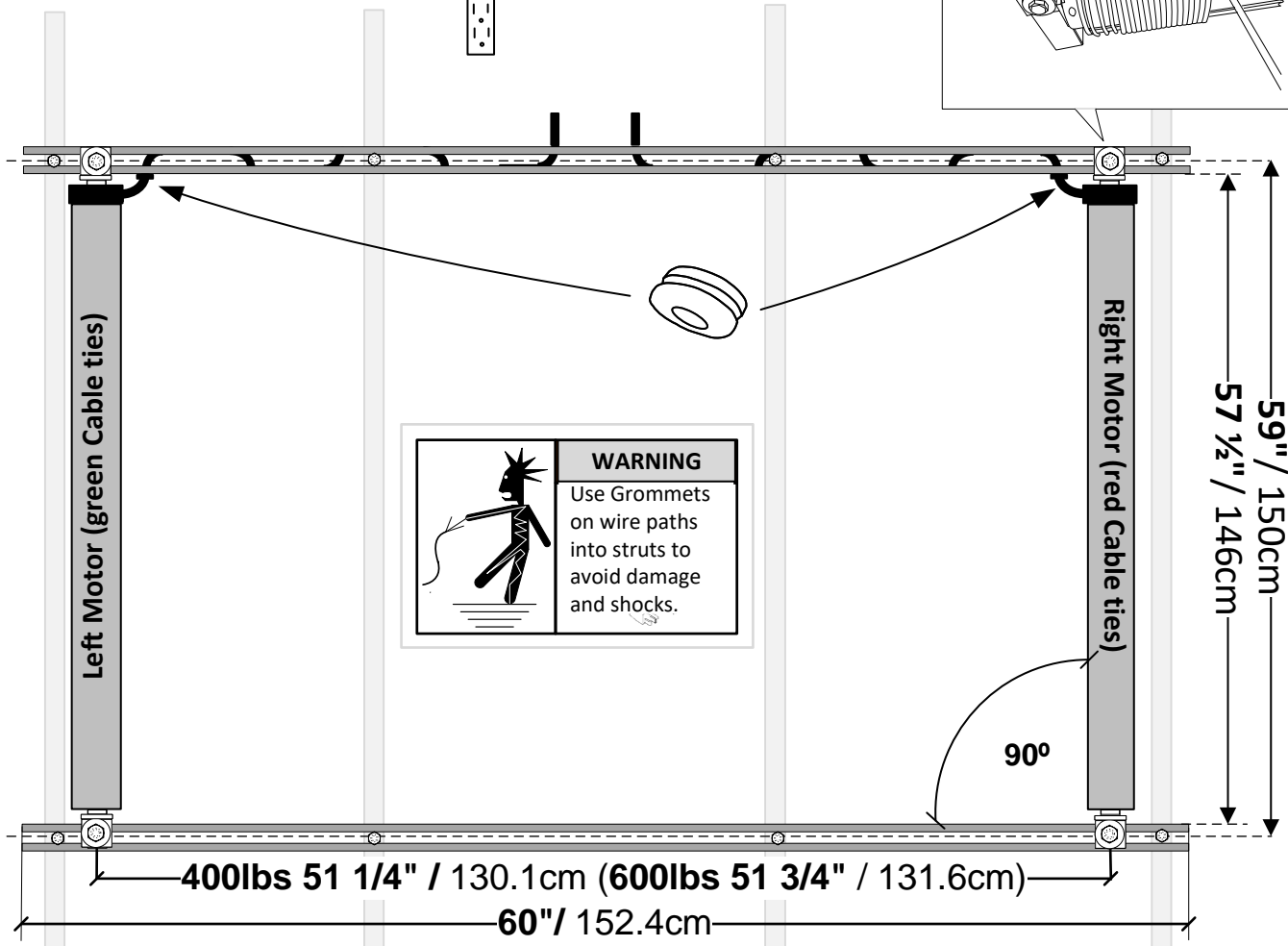
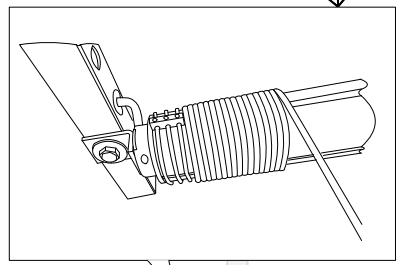
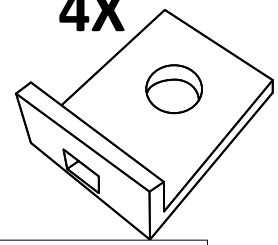
Outlet



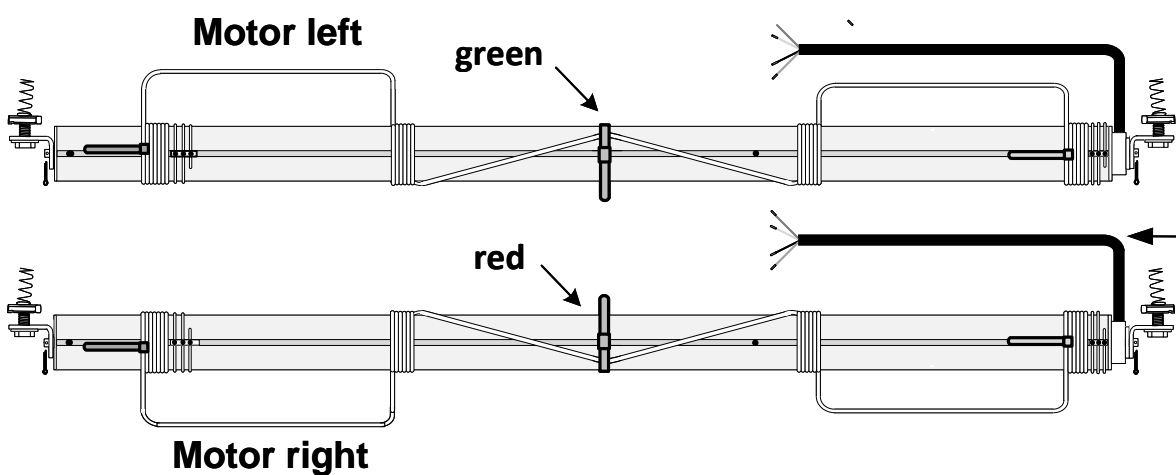
4X



4X



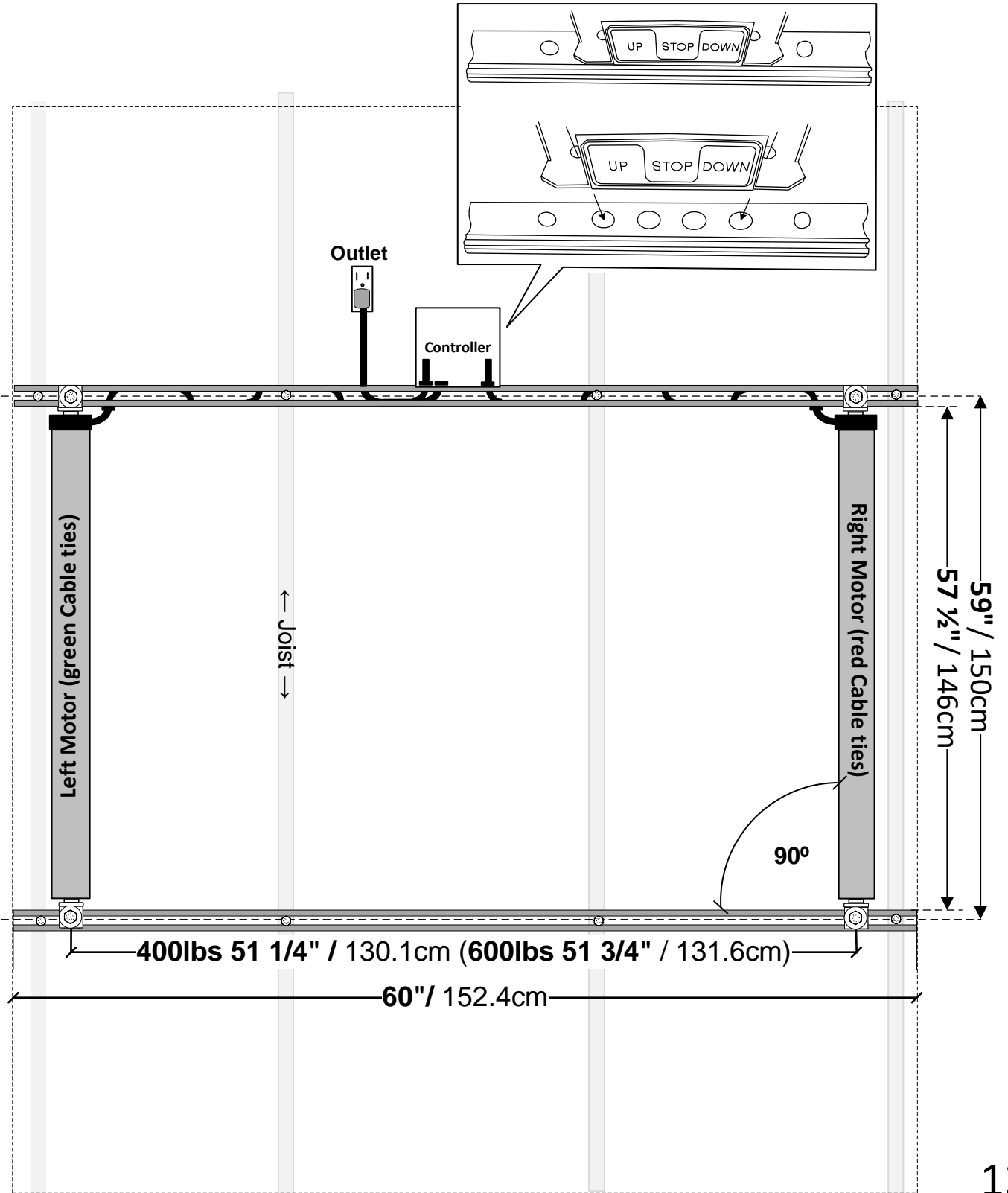
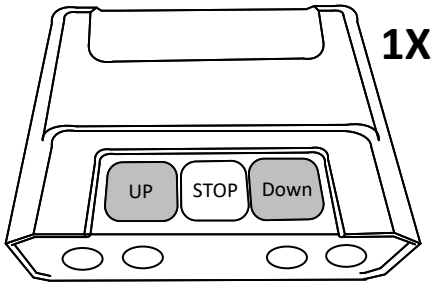
If Lift platforms are 3' x 6' or 3' x 8', install Motors 12" closer together (-30.48cm)



The black cables that come out of the motors needs to come straight up towards ceiling.

4

Controller

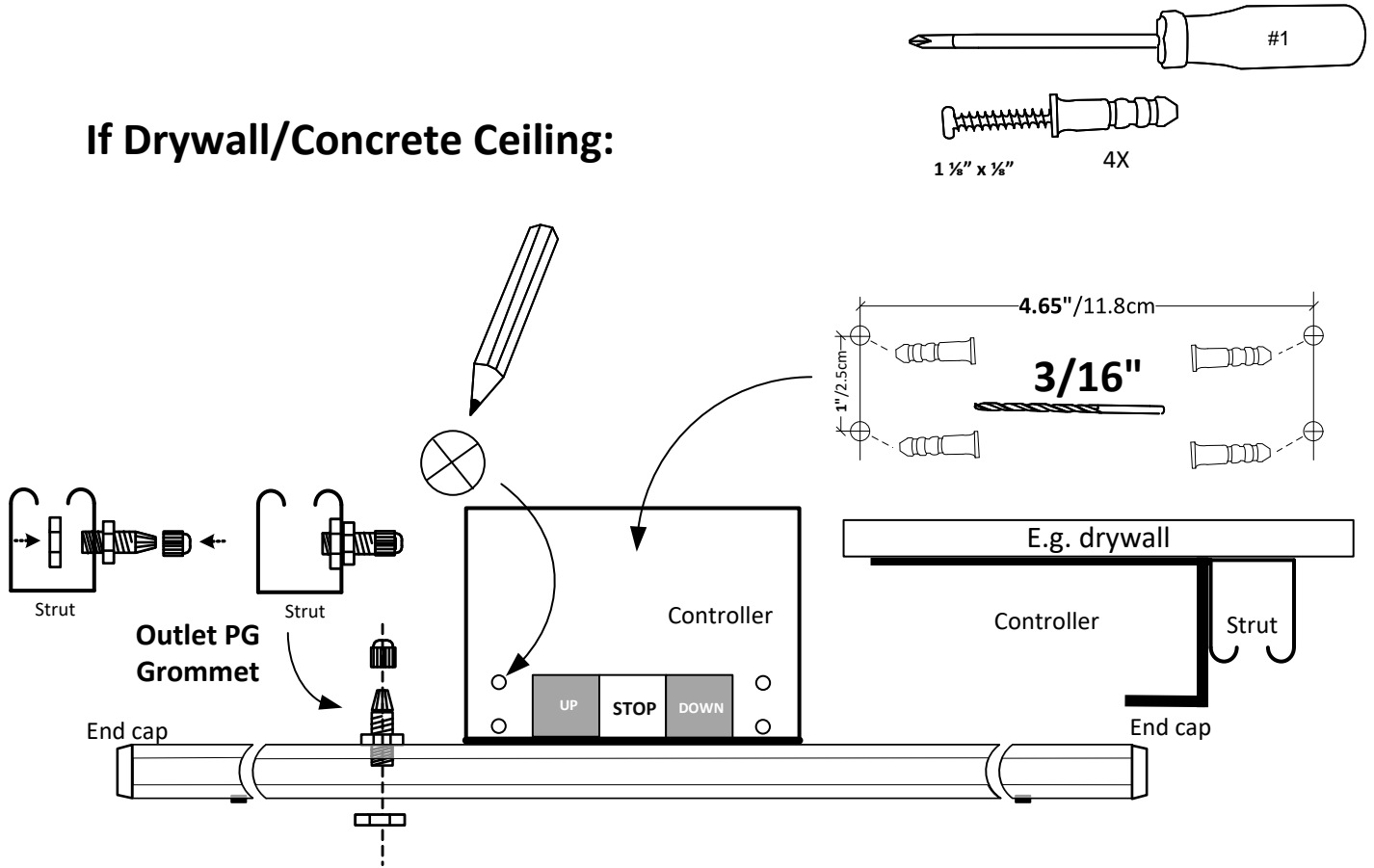


5

Controller

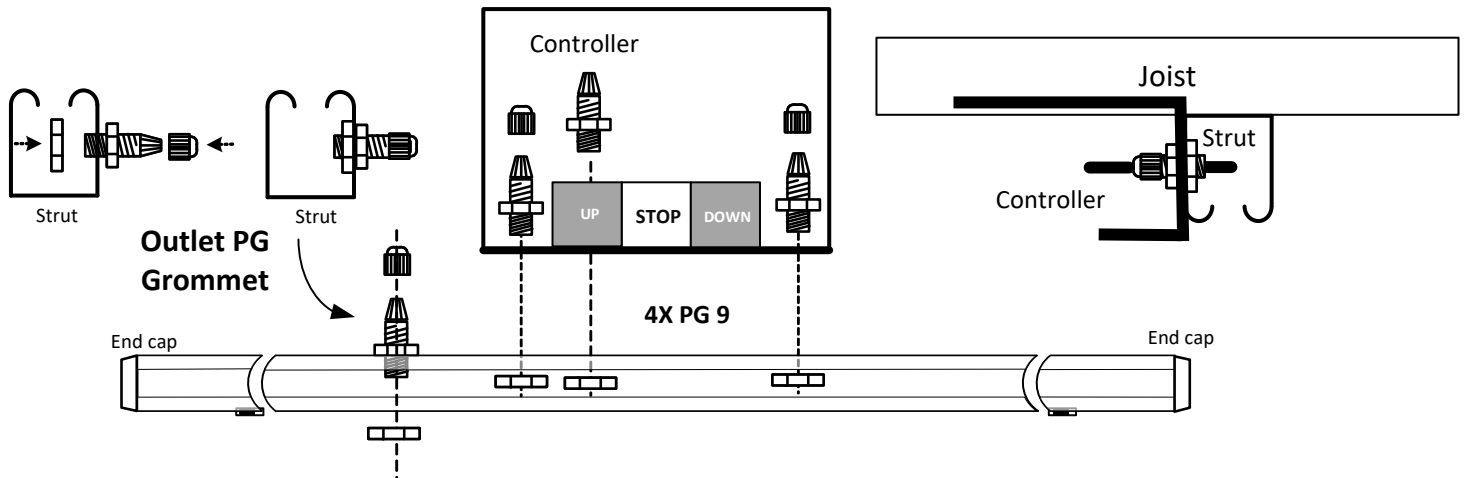
CONTROLLER MOUNTING OPTIONS

If Drywall/Concrete Ceiling:



- Use anchors for dry wall/concrete ceilings
- For outlet, always use PG grommets!

If NO Drywall/Concrete Ceiling (open ceiling):



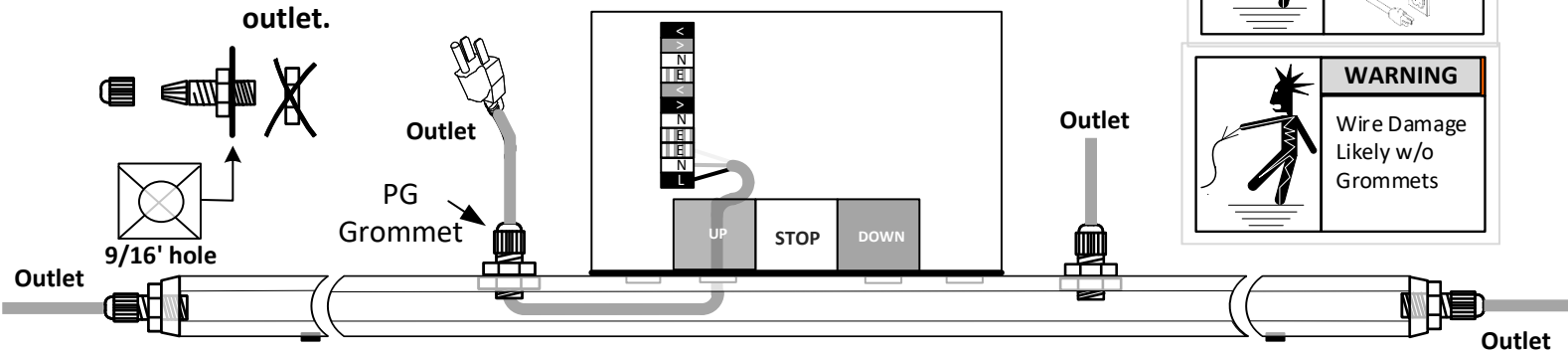
- PG grommets: If you have only joists, not e.g. drywall.
- For outlet, always use PG grommets!

6

Wiring

Controller wiring

Several options are available to route the power cable to the nearest outlet.



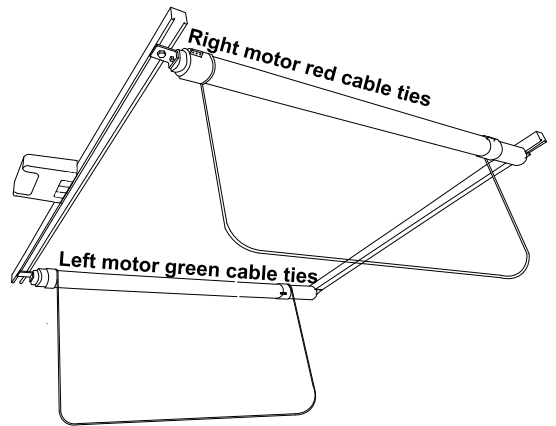
WARNING

Shock Hazard
Disconnect power before working on wiring

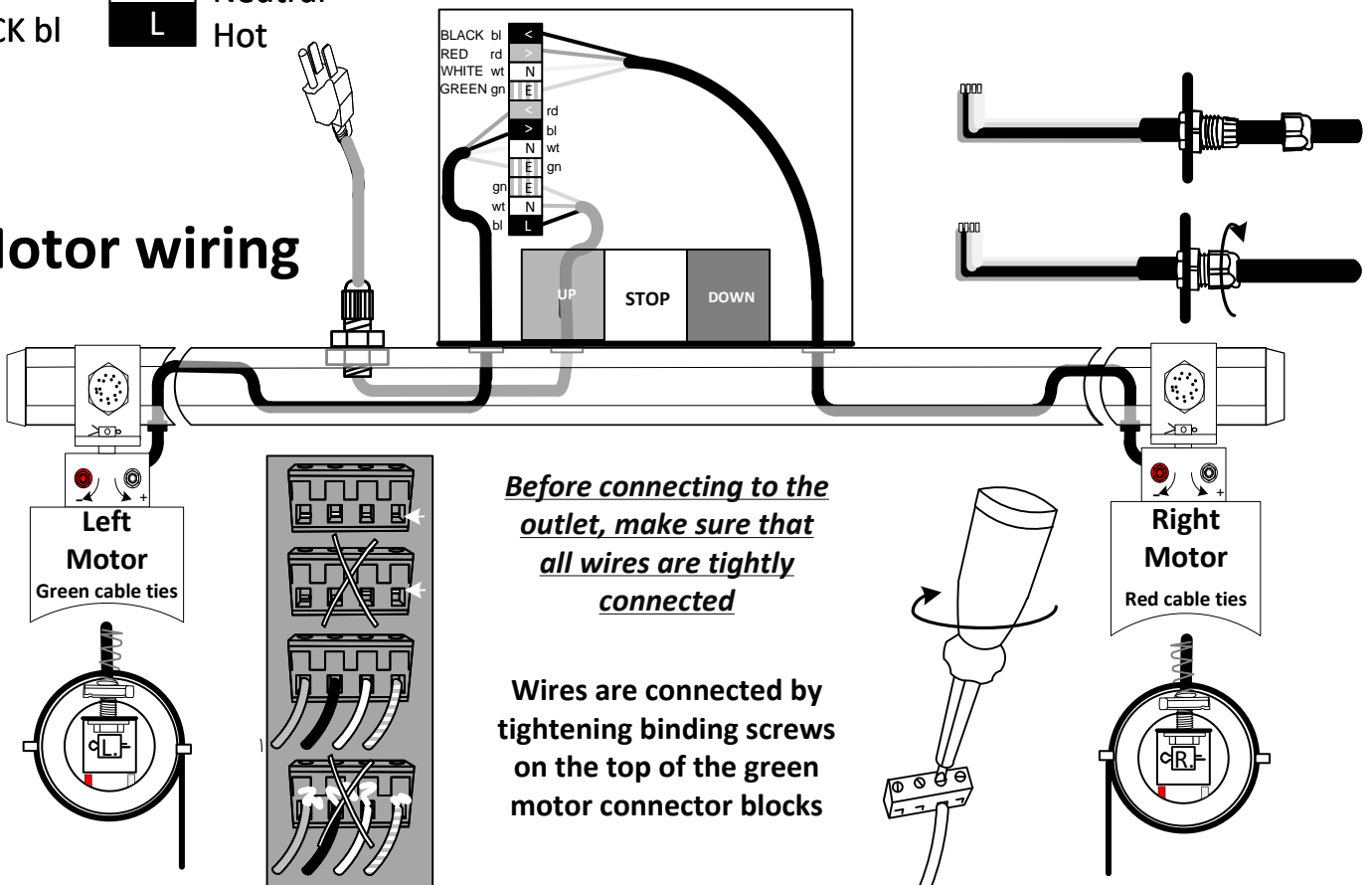
WARNING

Wire Damage
Likely w/o Grommets

- | | | |
|----------|---|---------|
| BLACK bl | < | Down |
| RED rd | > | UP |
| WHITE wt | N | Neutral |
| GREEN gn | E | Earth |
| RED rd | < | Down |
| BLACK bl | > | UP |
| WHITE wt | N | Neutral |
| GREEN gn | E | Earth |
| GREEN gn | E | Earth |
| WHITE wt | N | Neutral |
| BLACK bl | L | Hot |



Motor wiring



Before connecting to the outlet, make sure that all wires are tightly connected

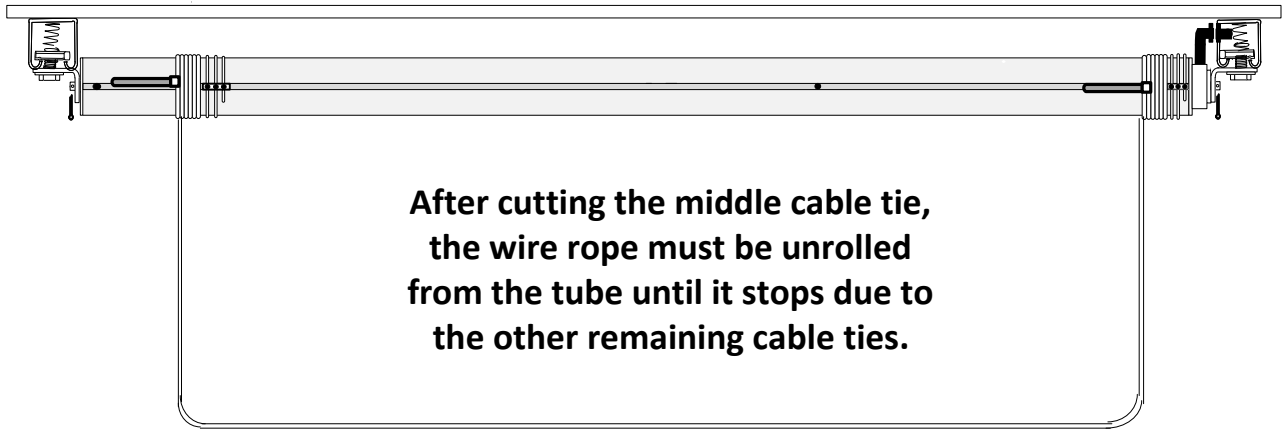
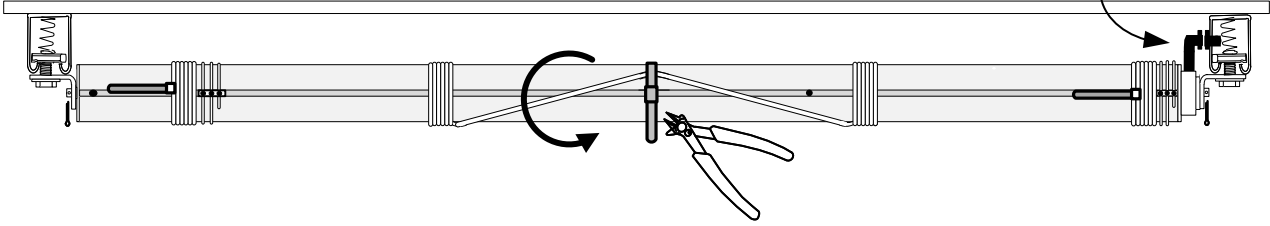
Wires are connected by tightening binding screws on the top of the green motor connector blocks

7

Wire rope

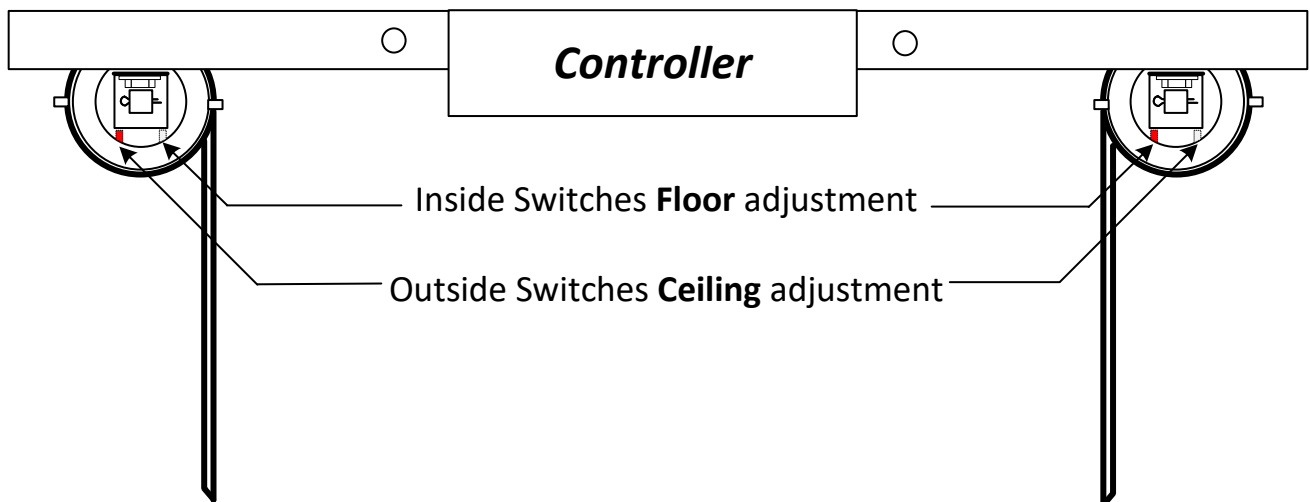
Left Motor, green cable ties

Cable in direction ceiling



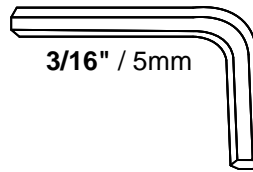
**Left motor
Green cable ties**

**Right motor
Red cable ties**



8

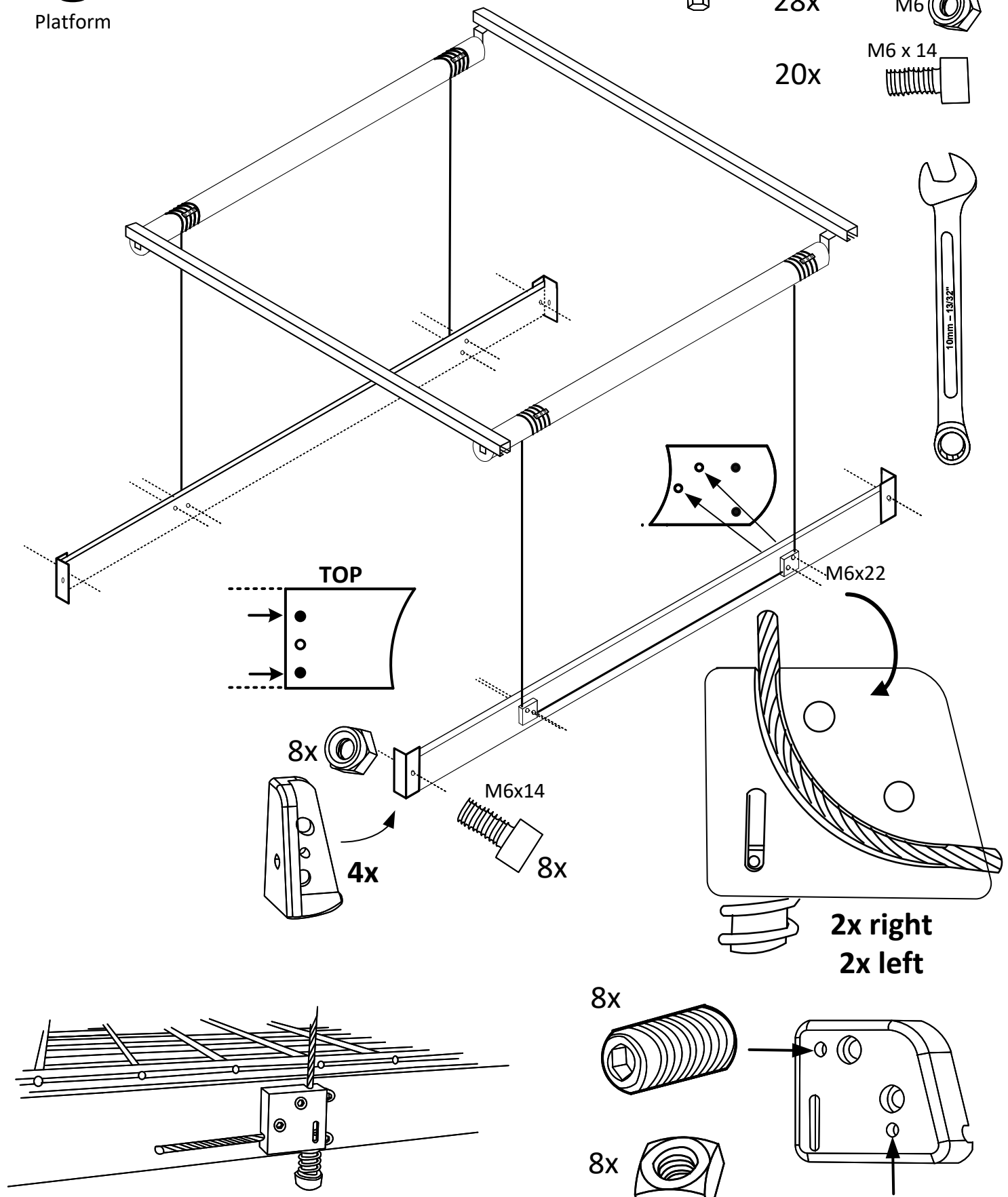
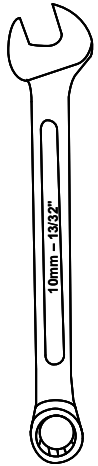
Platform



8x M6 x 22

28x M6

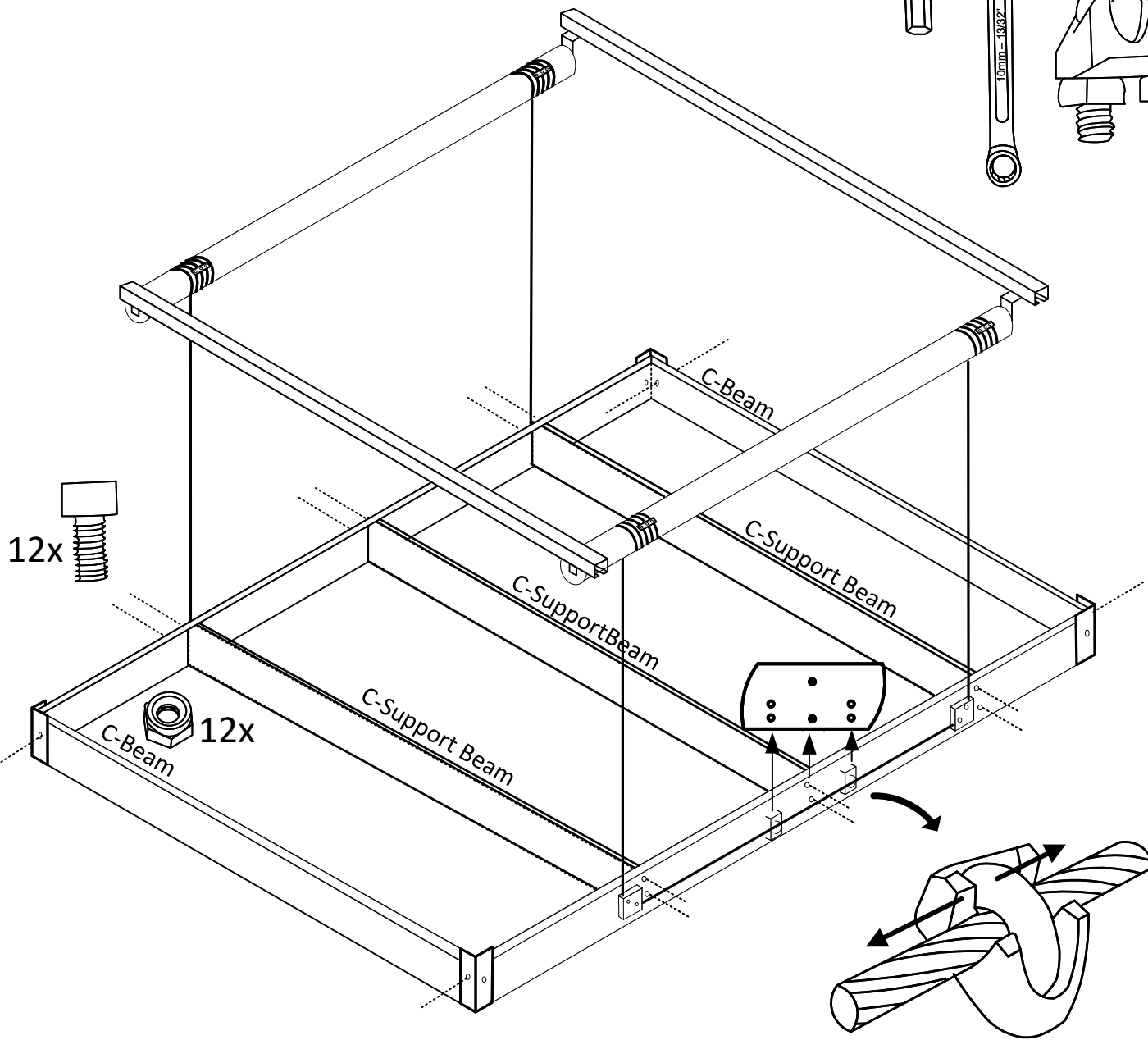
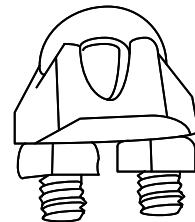
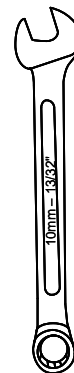
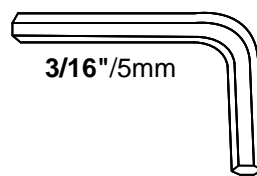
20x M6 x 14



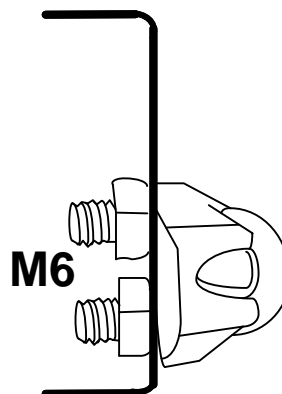
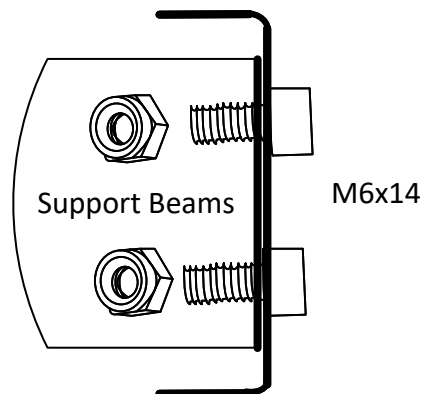
17

9

Platform

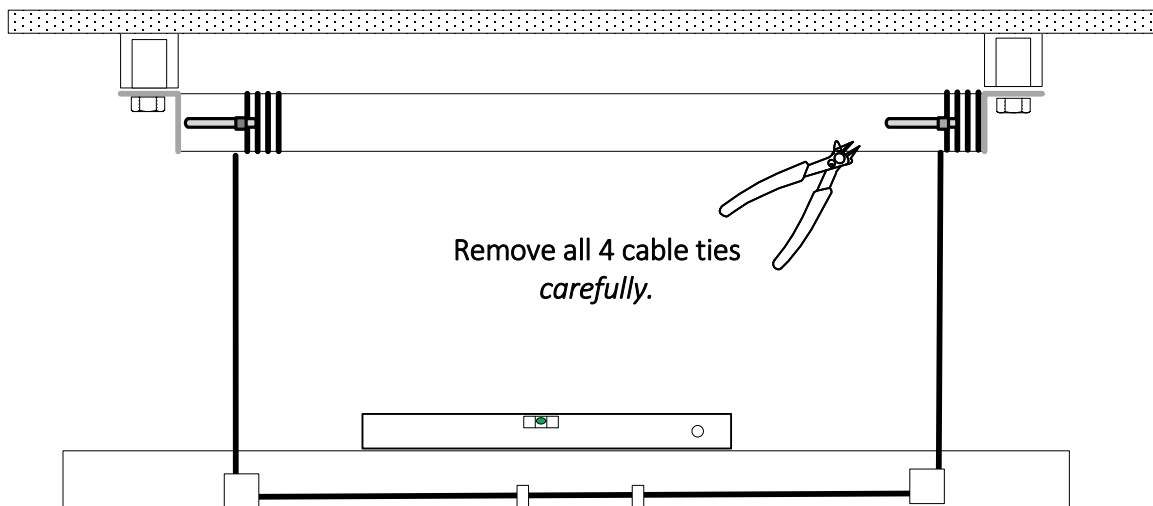
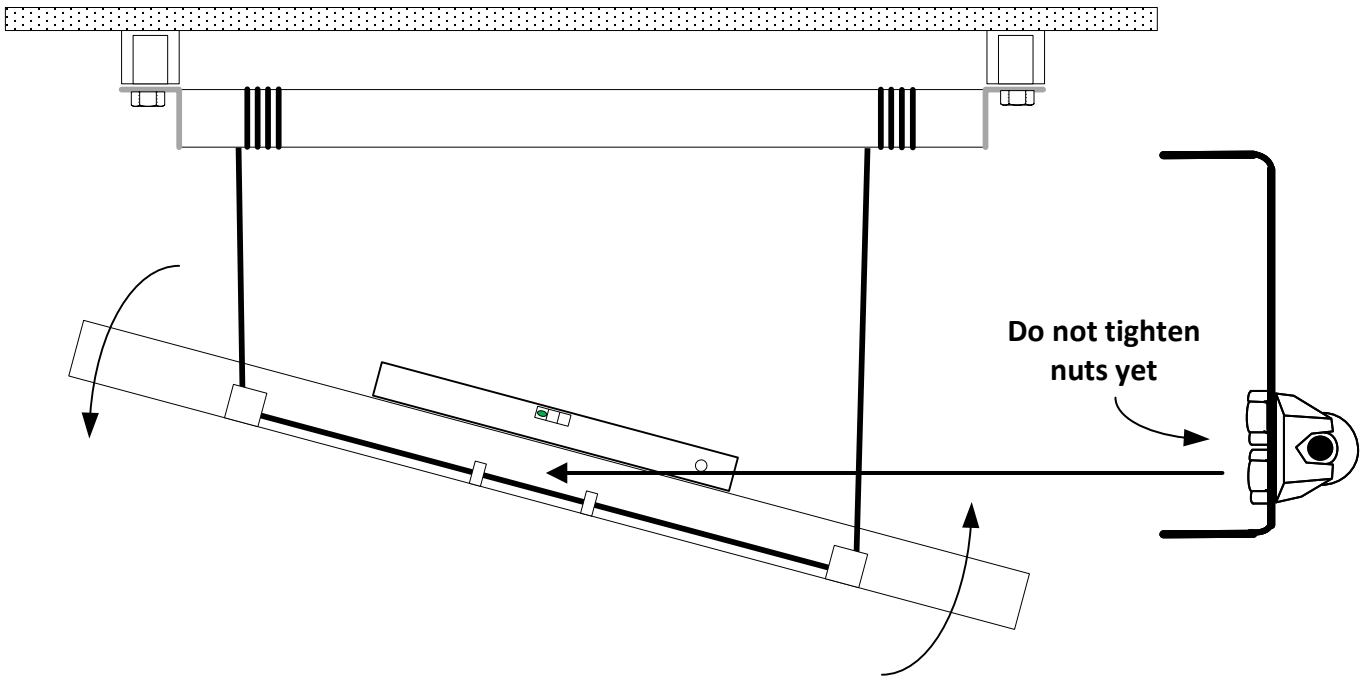
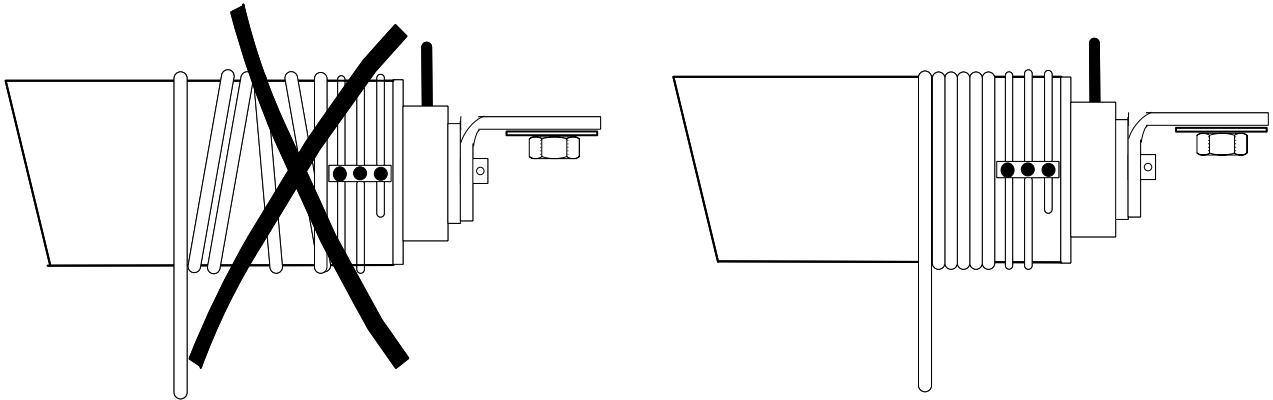


**Do not
tighten yet!**



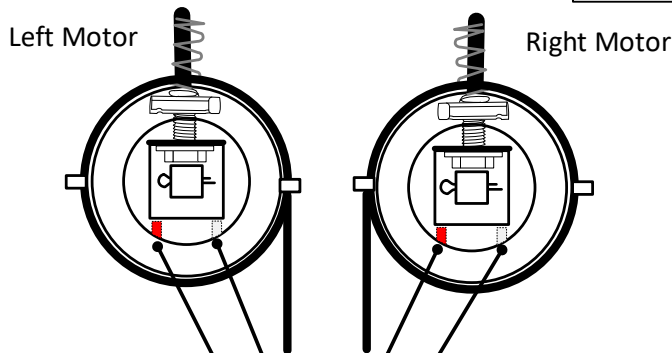
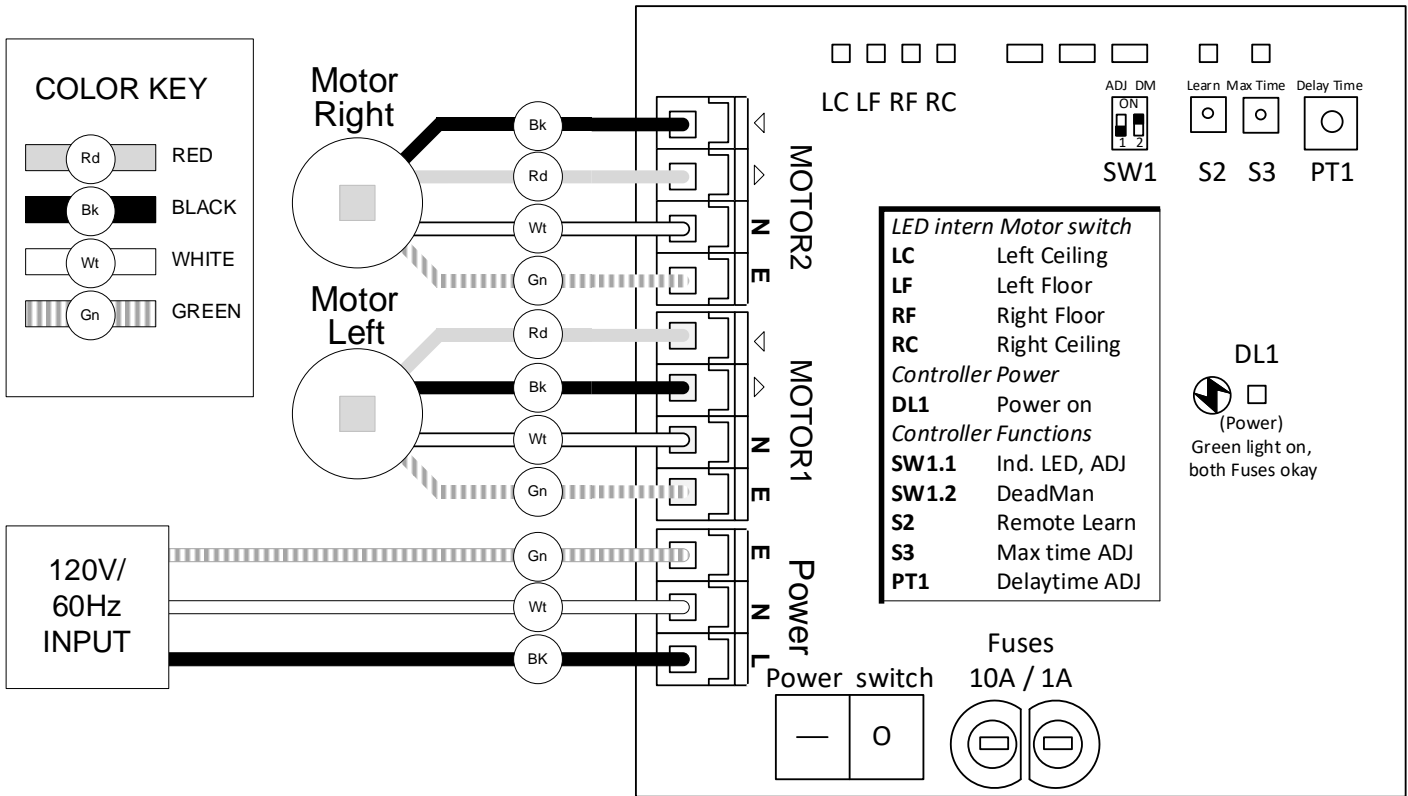
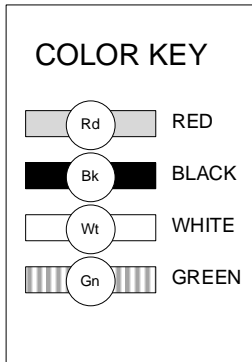
10

Length Beam adjustment





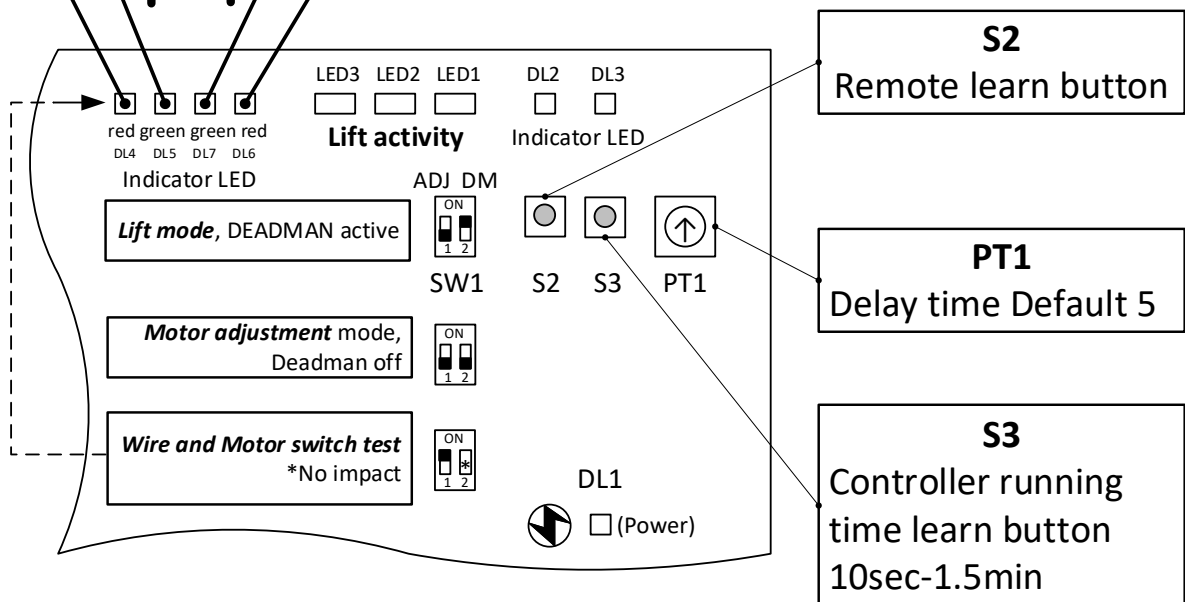
Overview Controller



IMPORTANT MOTOR ARRANGEMENT

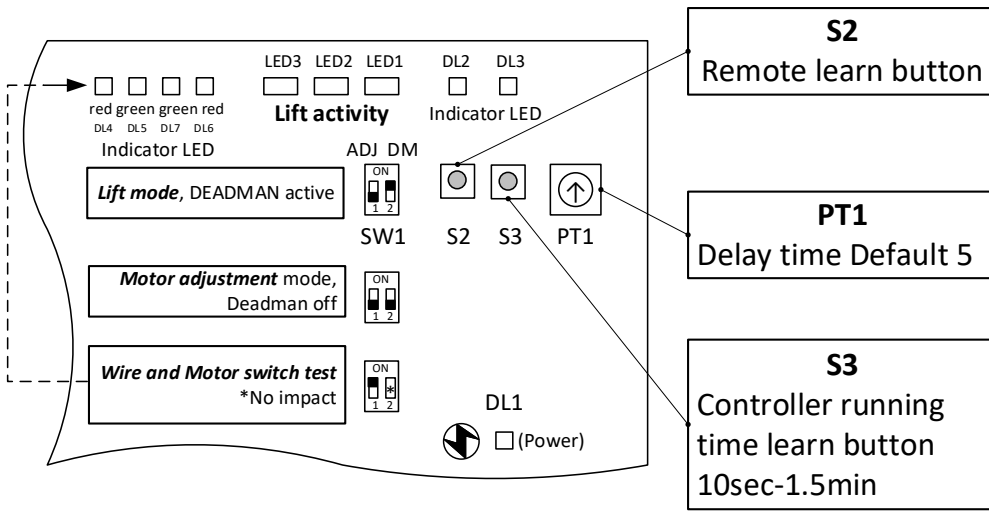
If you change something the manual doesn't fit anymore!

Lift doesn't work in this mode, only control and pre adjustment!





Motor Adjustment (leveling), Preparation

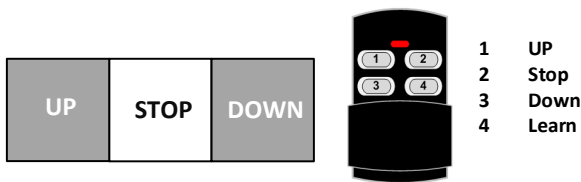


DeadMan off- press key (up/down) once and the lift runs. Press STOP 2 This function for adjustment only!

**Do not use PT1
S2 and S3 for
adjustment!**

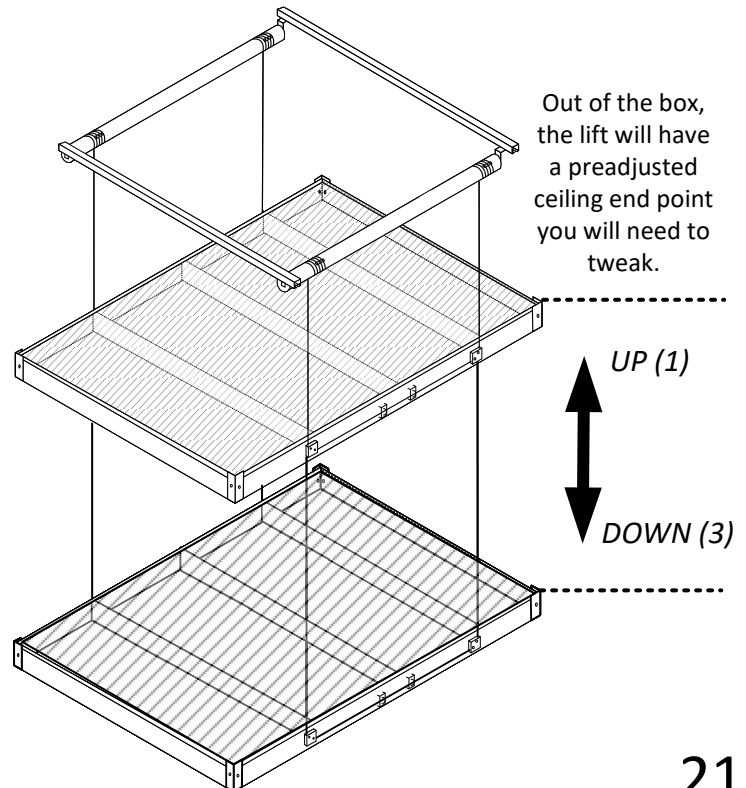
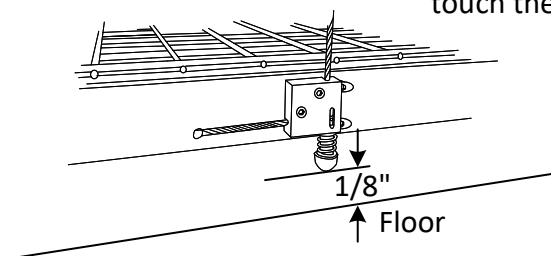
Most important! All switches work the same way, even though their labeling is different. Before you start to turn the stop (motor limit) switches, please be sure that you are turning them in the right direction!

Controller Keys



!Max running Time 1.5min

Stop floor adjustment
1/8" before the legs
touch the floor!





Motor Adjustment (leveling), Preparation

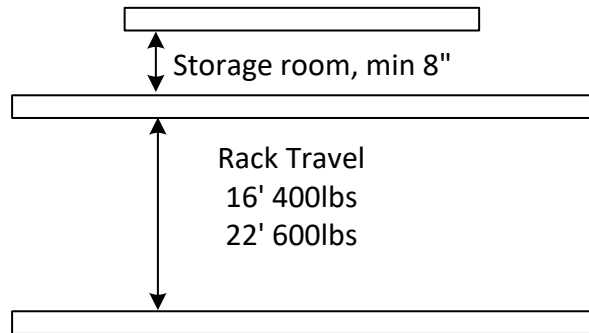
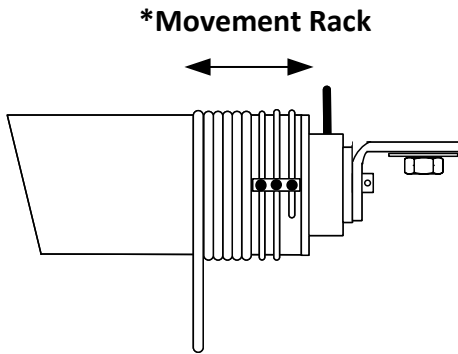
Technical information for 400 lbs lift

Max travel is	15.4 feet/ 4.70m & storage
1 tube rotation	12 turns on the stop switches
1 tube rotation	9" / 22cm
1 turn on stop switch	3/4" / 2cm
Smallest movement	1/16" / 1mm
Movement Rack 14'*	4"/10cm
Switch turns	250
Travel speed	8'/min

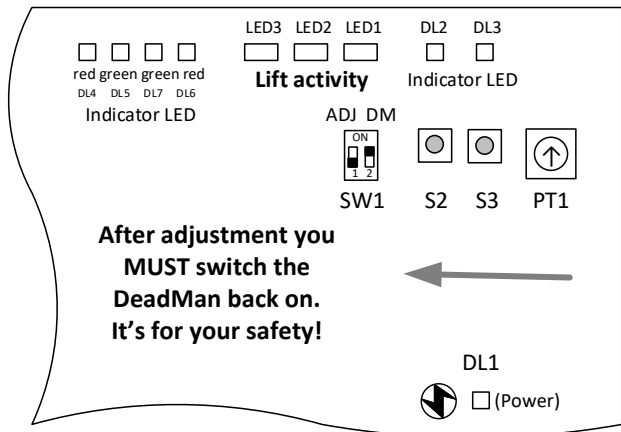
Technical information for 600 lbs lift

Max travel is	21.8 feet/ 6.40m & storage
1 tube rotation	12 turns on the stop switches
1 tube rotation	11" / 28cm
1 turn on stop switch	1" / 2.5cm
Smallest movement	1/16" / 1mm
Movement Rack 14'*	4"/10cm
Switch turns	300
Travel speed	10'/min

Only turn the switches by hand with the tool provided
 Stop turning immediately if you feel a mechanical click in the switch when turning.



Adjustment is only possible with the **DeadMan switch OFF**, and after a motor limit has been reached or lift is stopped manually (white LED lights on controller are lit and stay on).

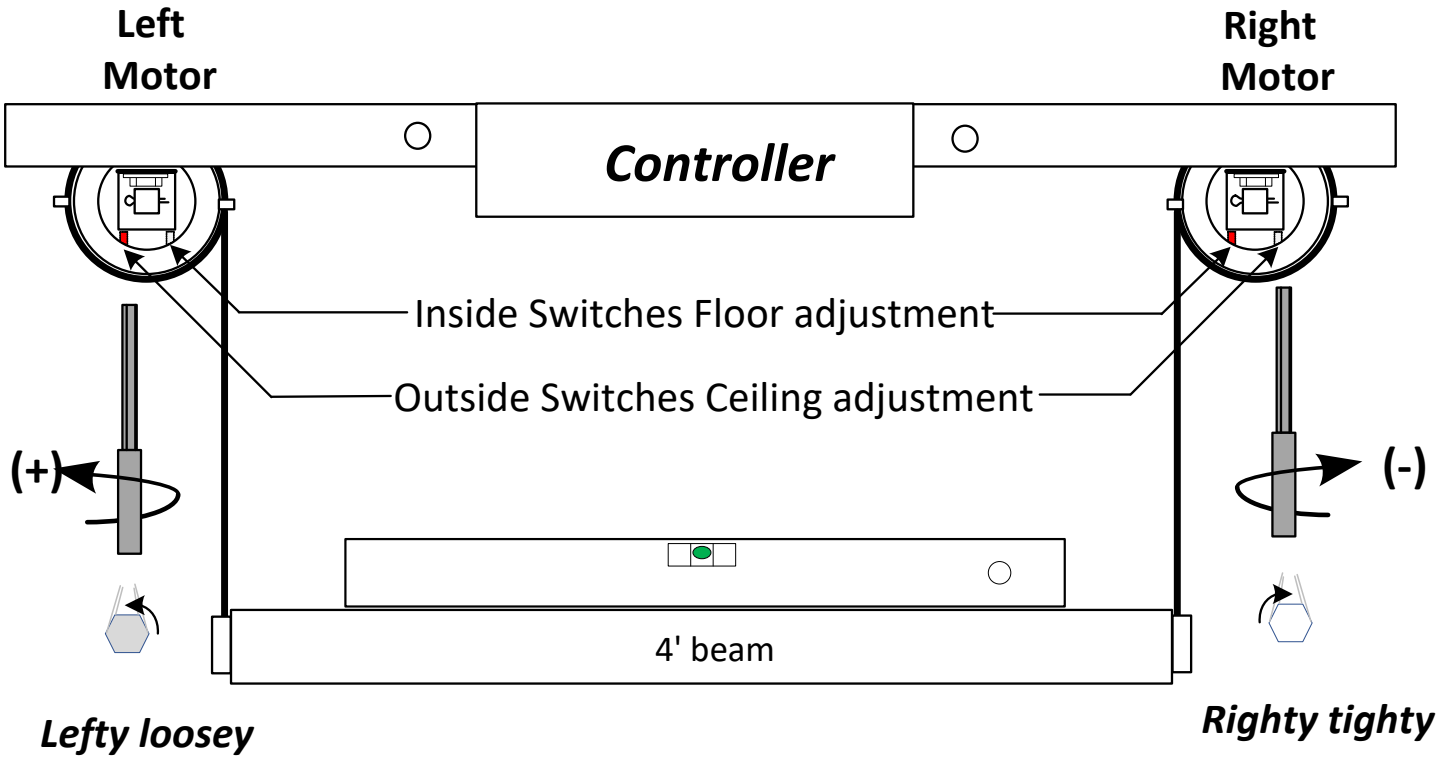


DeadMan Function: You use only the UP and DOWN buttons. You have to hold the button to make the lift move. When you release the button the equipment will stop immediately. If a key gets jammed you can stop the equipment with the stop button.

12

Adjustment hints

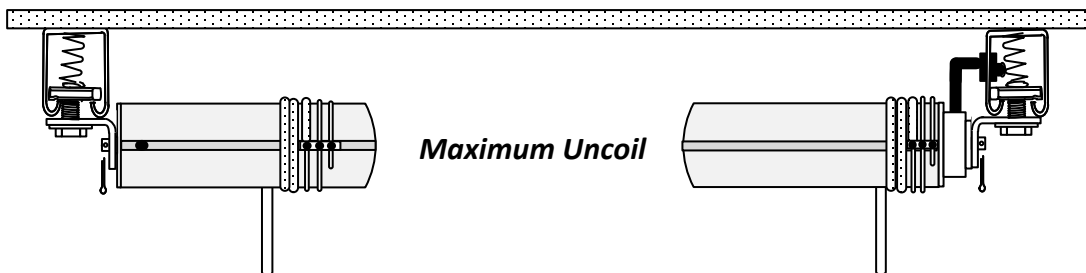
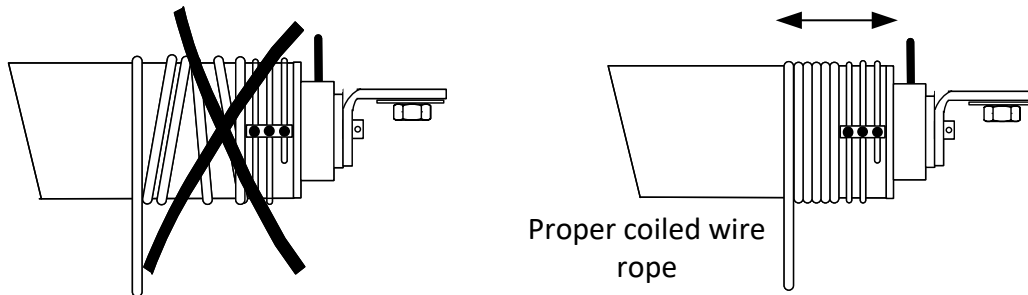
Prepare Adjustment



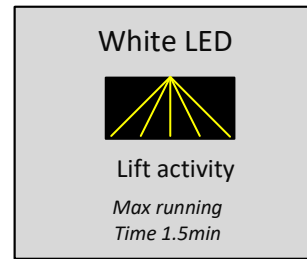
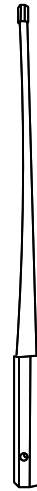
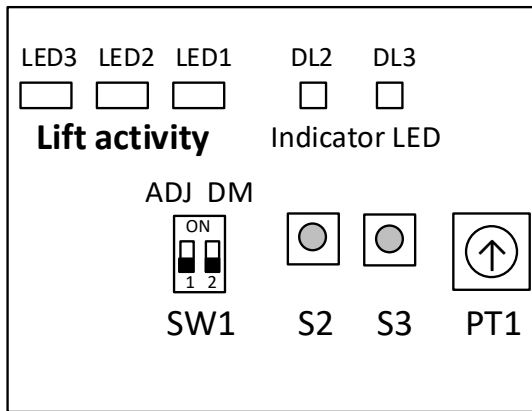
Extension stick 3', 1m

Righty tighty

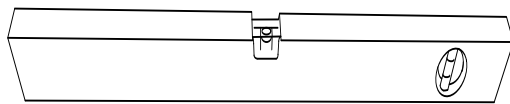
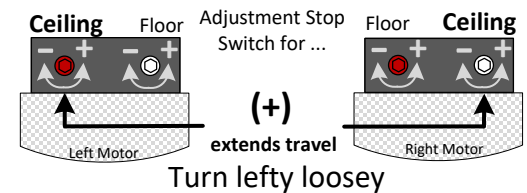
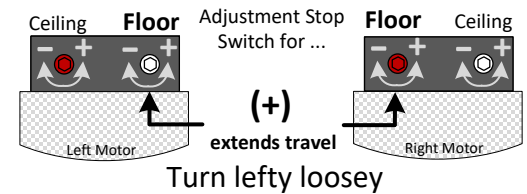
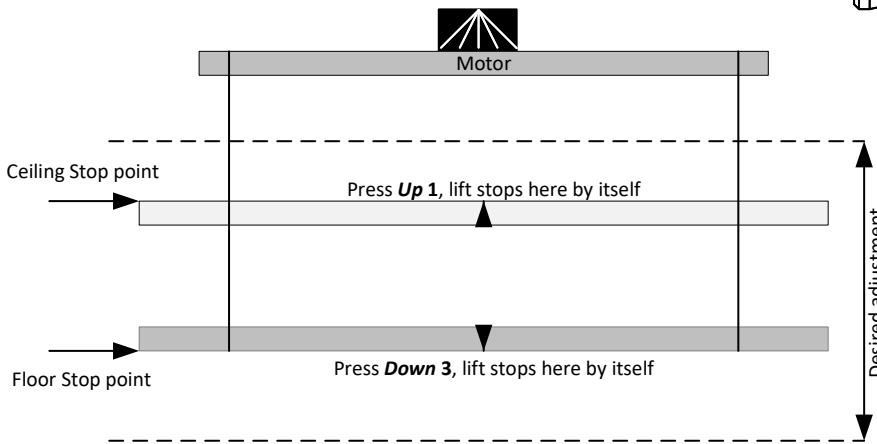
With an extension stick you can easy adjust the motors from the floor!



13 Level Adjustment



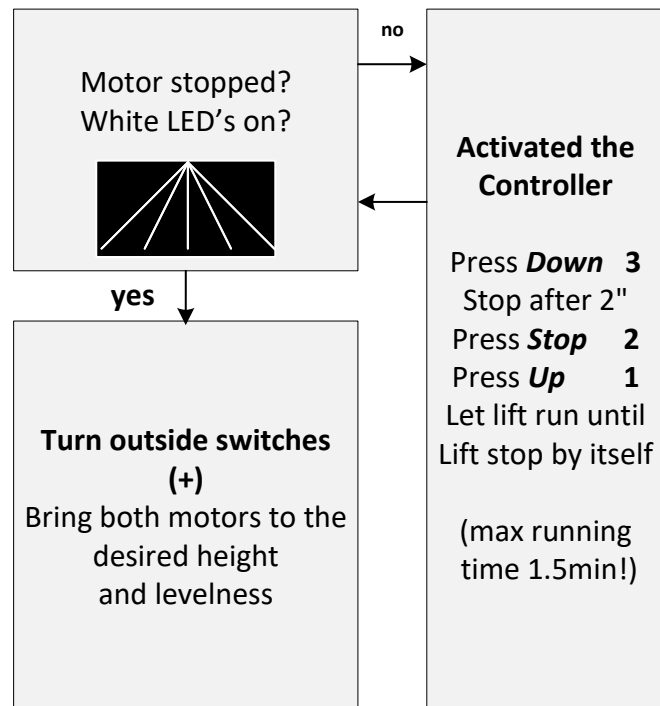
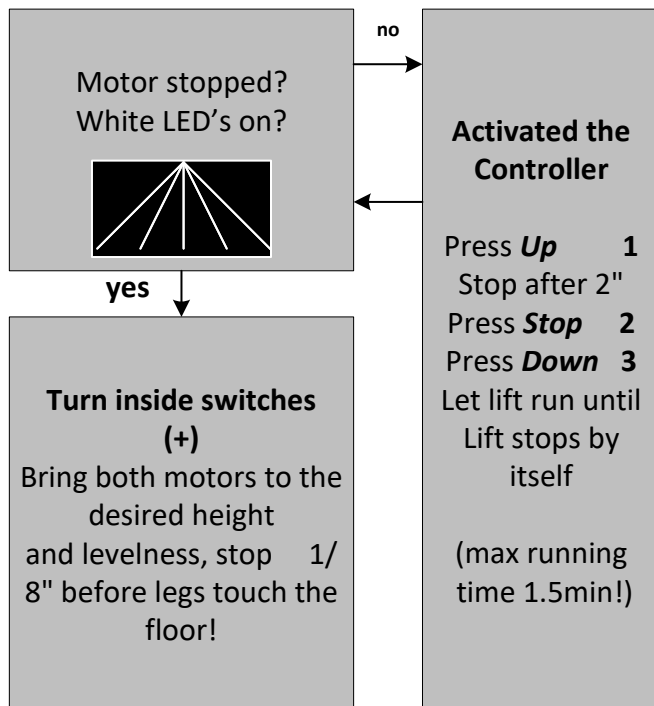
Overheated? Not running just clicking?
 Motors were running more than 4min?
 Allow motors to cool for 20min



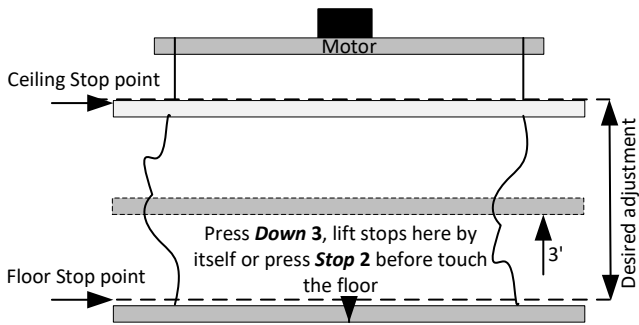
Put a level on the 4'(3') beam and control the levelness of the rack

Floor Adjustment

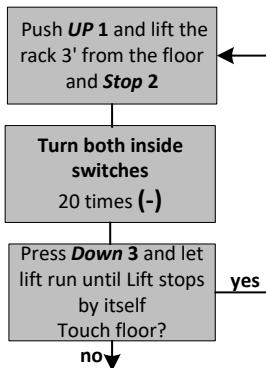
Ceiling Adjustment



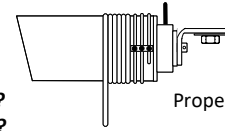
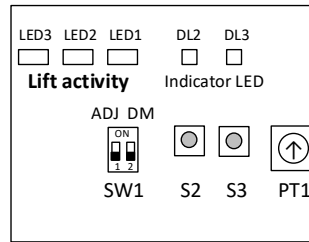
14 Level Adjustment



Floor Adjustment Preparation (too low)

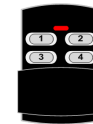


Floor Adjustment (Page 25)

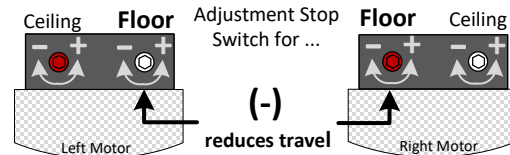


Proper coiled wire rope

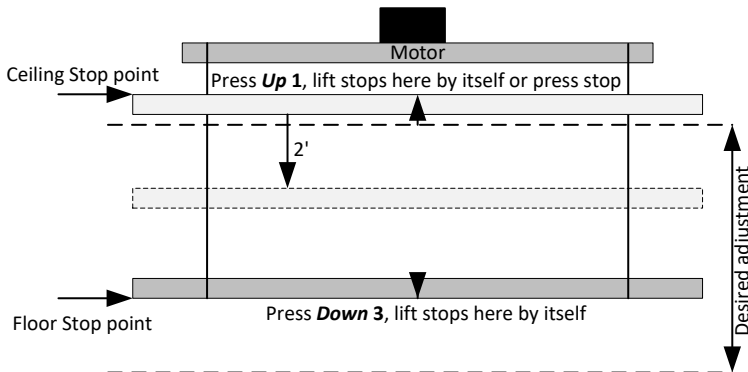
**Overheated? No running only clicking?
Motors were running more than 4min?
Allow motors to cool for 20min**



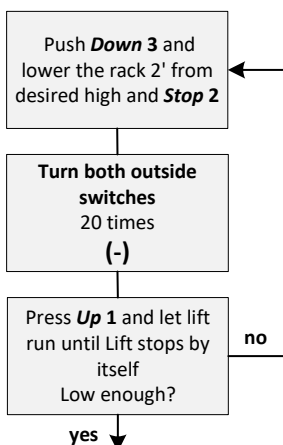
- 1 UP
- 2 Stop
- 3 Down
- 4 Learn



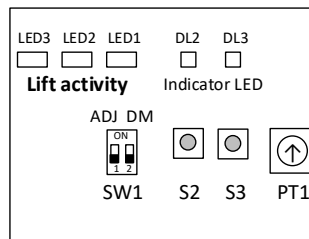
Turn righty tighty



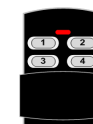
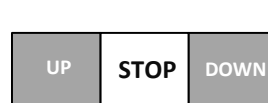
Ceiling Adjustment Preparation (too high)



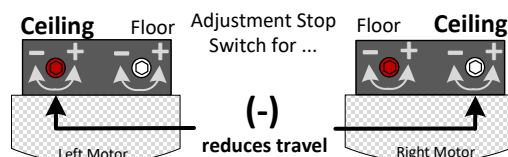
Ceiling Adjustment (Page25)



**Overheated? No running only clicking?
Motors were running more than 4min?
Allow motors to cool for 20min**



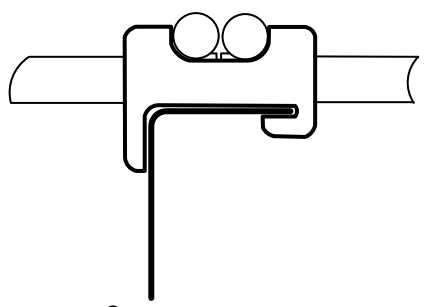
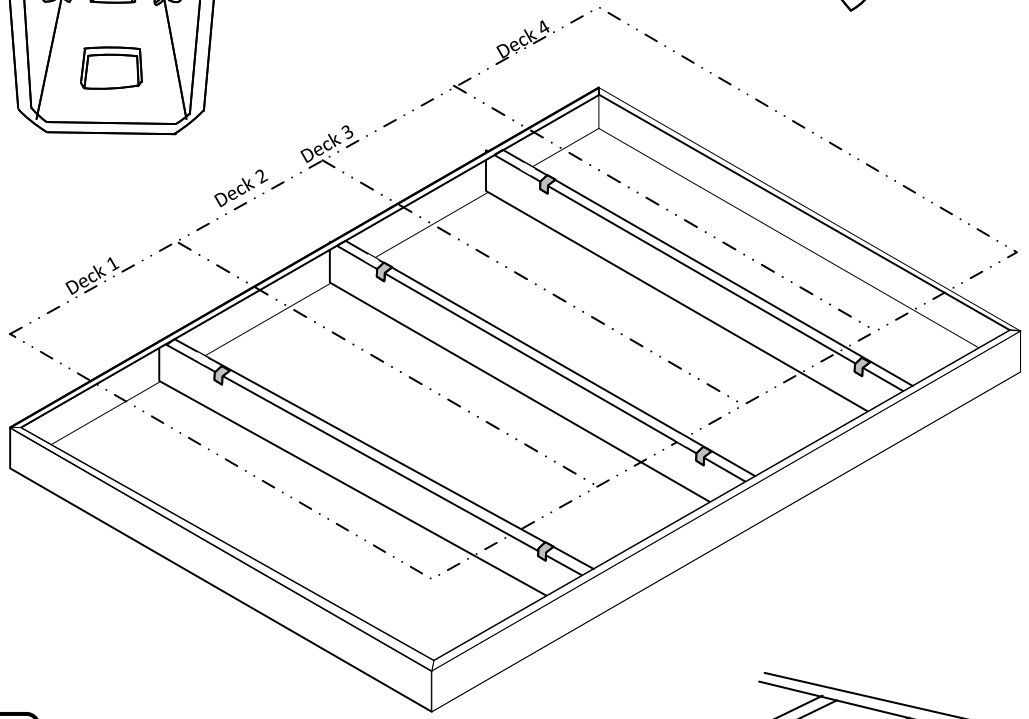
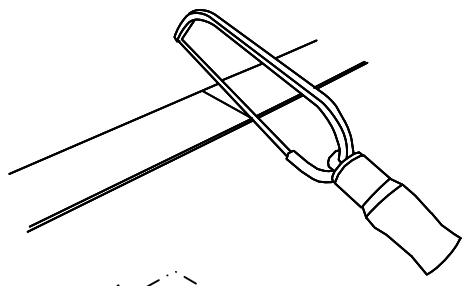
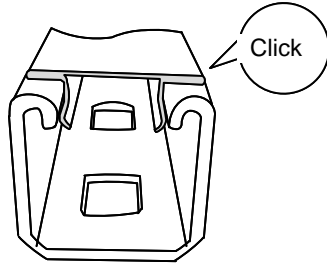
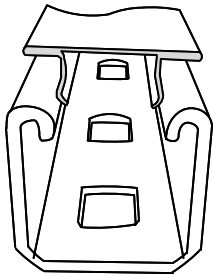
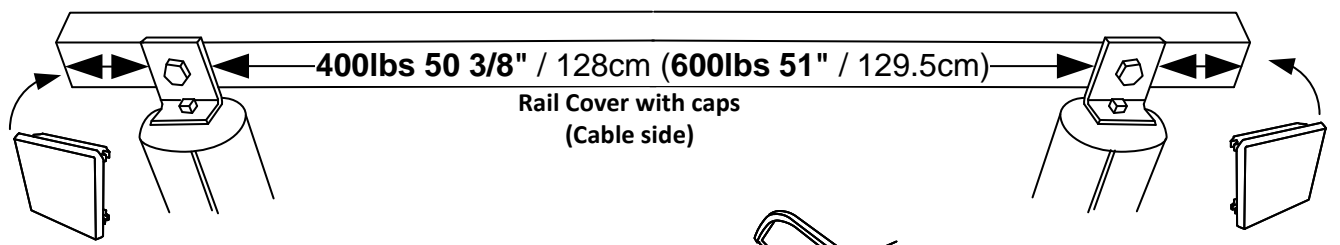
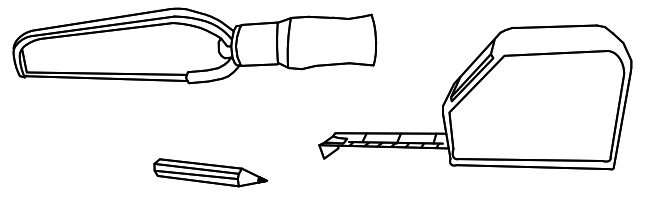
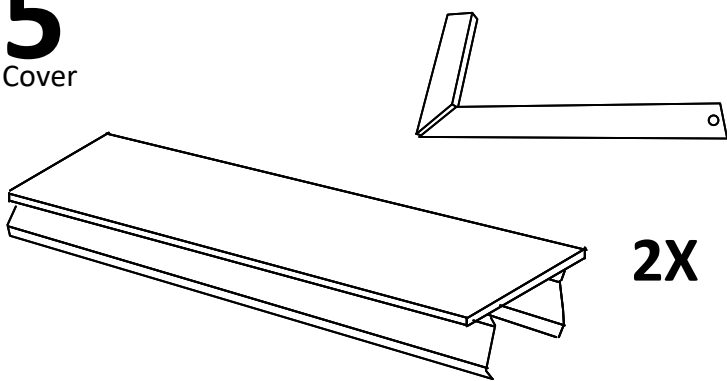
- 1 UP
- 2 Stop
- 3 Down
- 4 Learn



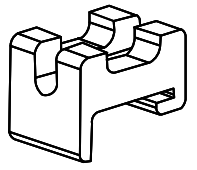
Turn righty tighty

15

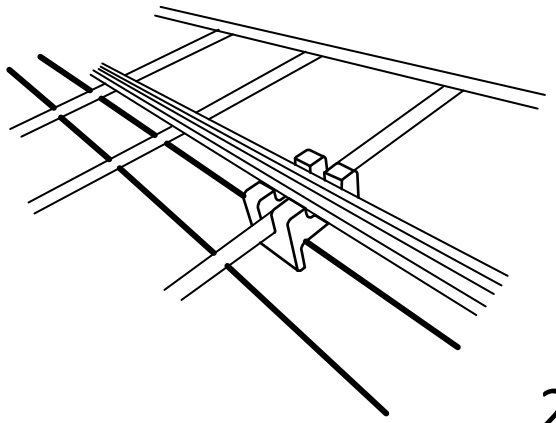
Strut Cover



Support beam



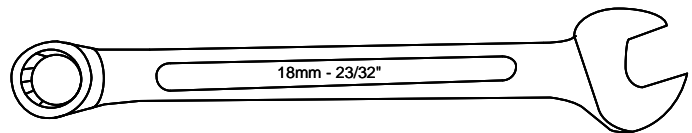
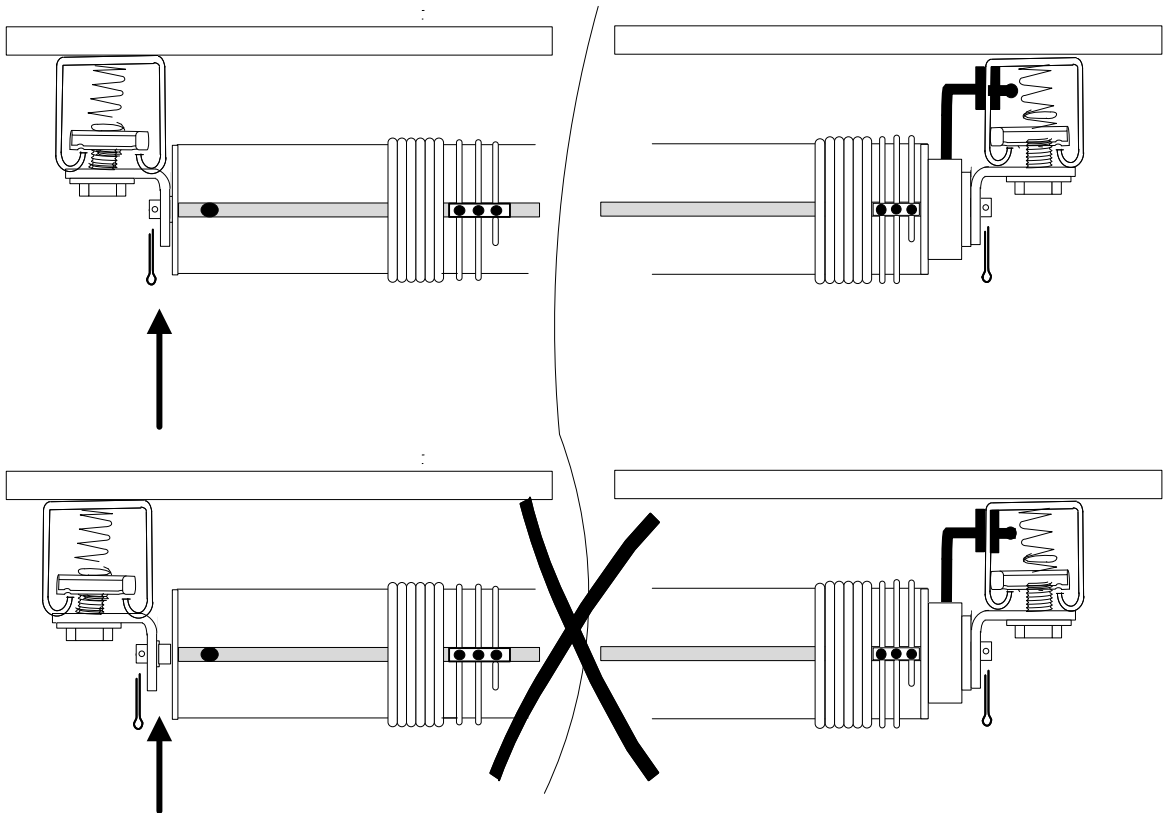
6x



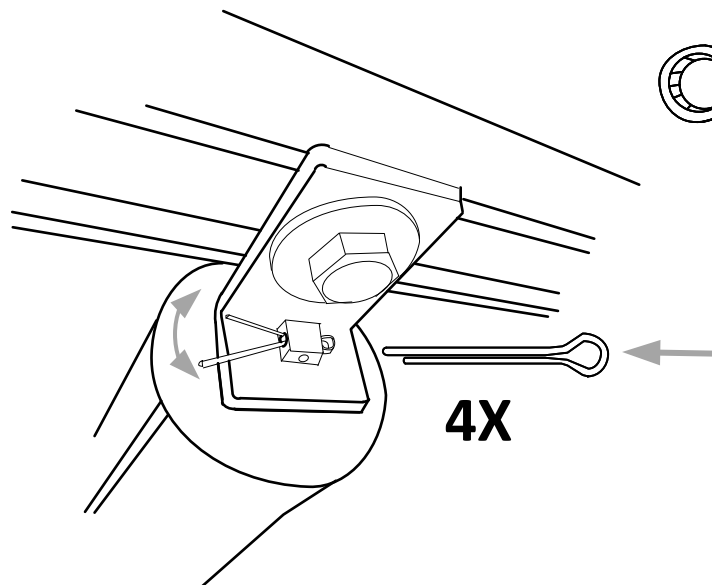
16 Inspection

Inspect and tighten all screws, wire clips, grommets and cotter pins. Make an alignment mark on each part that might be able to shift over time (like the motor mounts) using a Sharpie pen. Inspect all items, especially movement on the alignment marks, once a year.

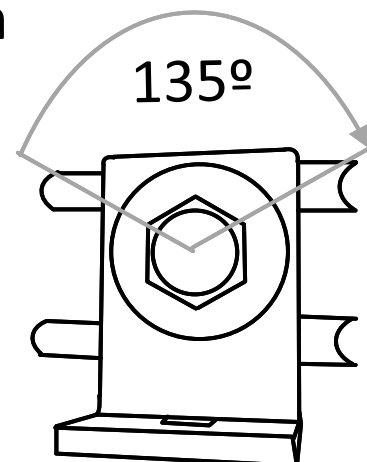
Gap not more than $1/16''/1\text{mm}$



tighten



4X

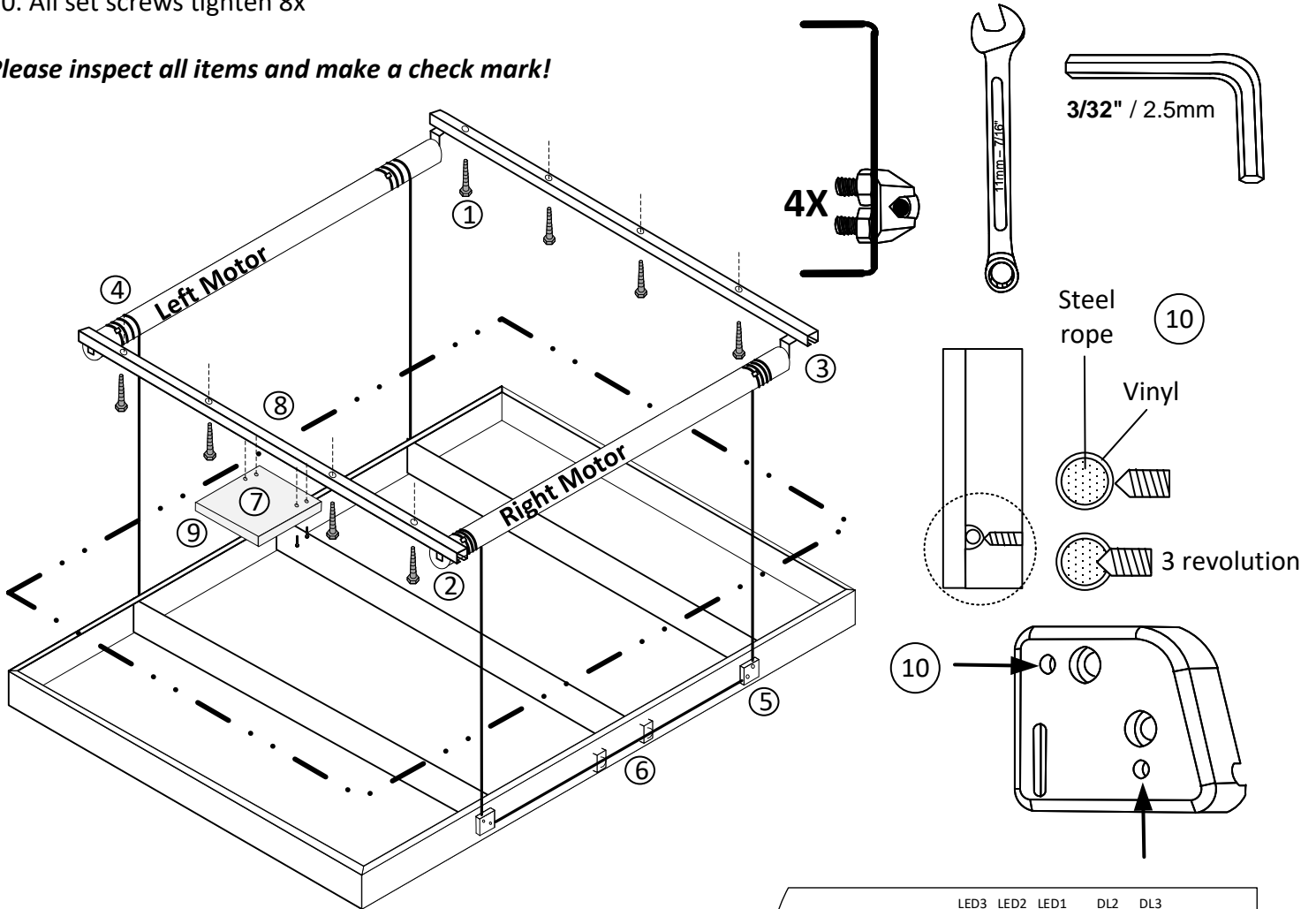


17 Check

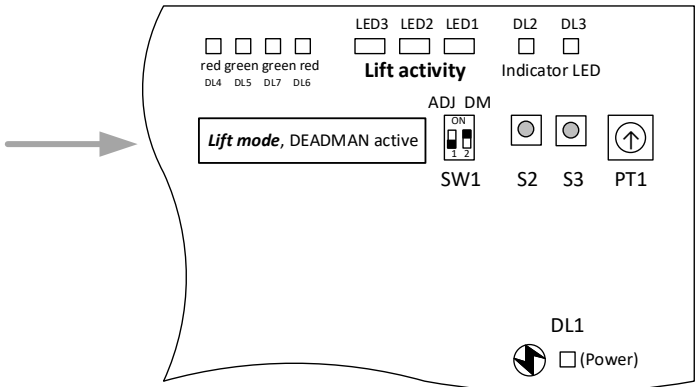
Check list (after installing, and than ones the year!

1. Lag screws tighten 8X
2. Cotter Pins installed and curved up 4X
3. 12mm Bracket screws tighten 4X
4. All set screws tighten 24X
5. All 6mm screws tighten 28X
6. Wire clips tighten 8X
7. E-Wire in the right order installed 11X
8. E-Wire is not laying on sharp corners
9. Controller is switch on
10. All set screws tighten 8x

Please inspect all items and make a check mark!



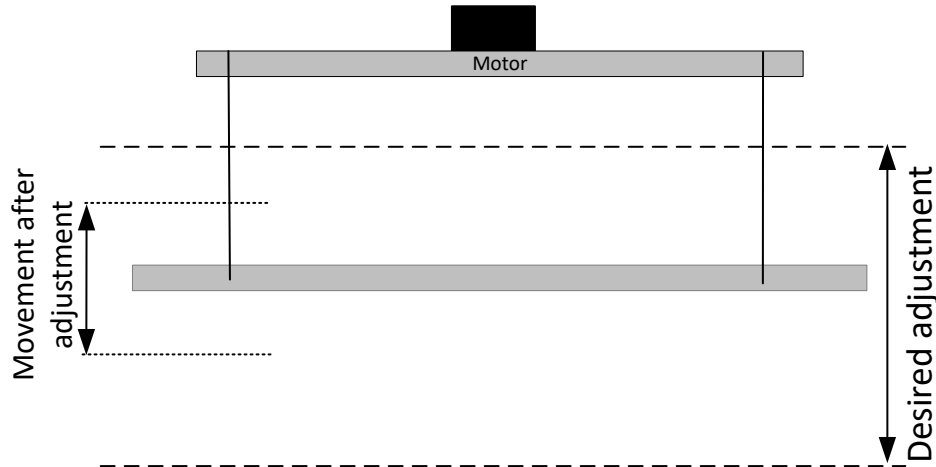
**After adjustment you MUST
switch back on the other
position!
(DeadMan = ON)
It's for your safety!**



Important! The Lift has to run to the ceiling end points (stopped automatically) in order to be leveled properly.



Basic setting (You can do it in each lift position!)



Switch ADJ on

Is the indicator LEDs on?
If one of the LEDs is off: Turn motor switch lefty loosy (+) until the LED is switched on. Please see the diagram to the right.

All LEDs indicators are on?
If not, please control the electrical wiring and the connectors. Make sure all screws are tight. Control cable for mechanical damage.

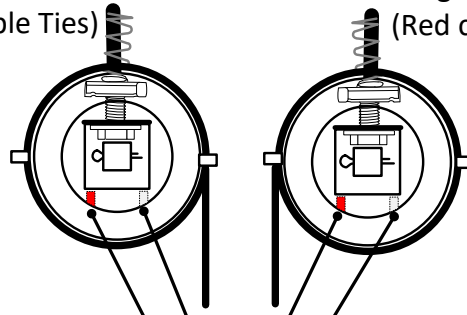
All LEDs indicators are on?
Turn all switches righty tighty (-) until all LED's off.
Stop turning when the LED switch is off!

Turn all switches e.g.10-30 times lefty loosy (+)
Are all LEDs on now?

If all LEDs are on
Please switch ADJ and Deadman (DM) off and start with the adjustment

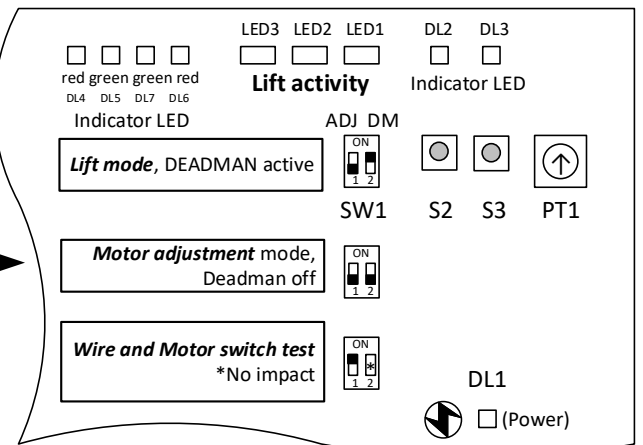
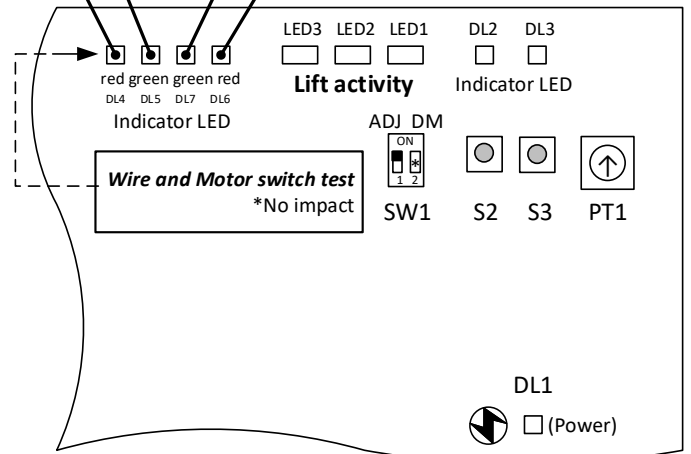
Left Motor
(Green cable Ties)

Right Motor
(Red cable ties)



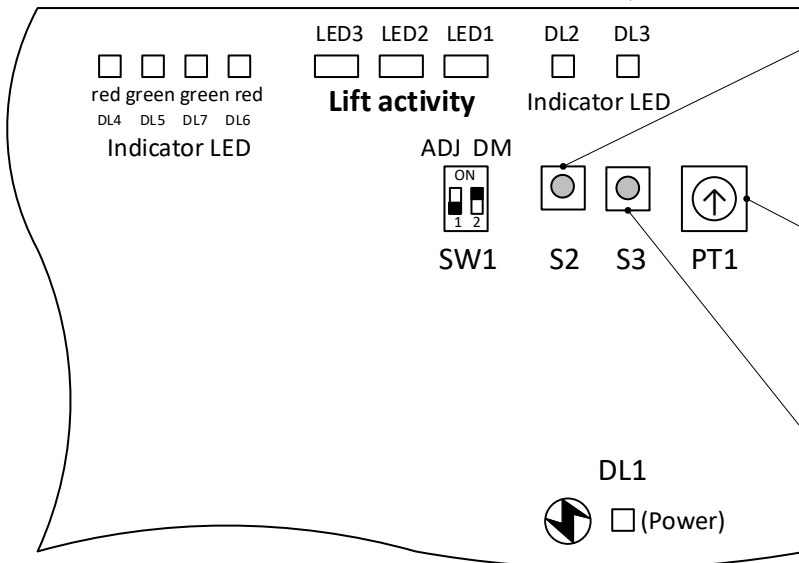
Left Motor, green cable ties
DL4= Outside switch Ceiling adj.
DL5=Inside switch Floor adj.
Right Motor, red cable ties
DL7=Inside switch Floor adj.
DL6=Outside switch Ceiling adj.

Lift doesn't work in this mode, only control and pre adjustment!





Running Time Preadjusted
for 1.5 min



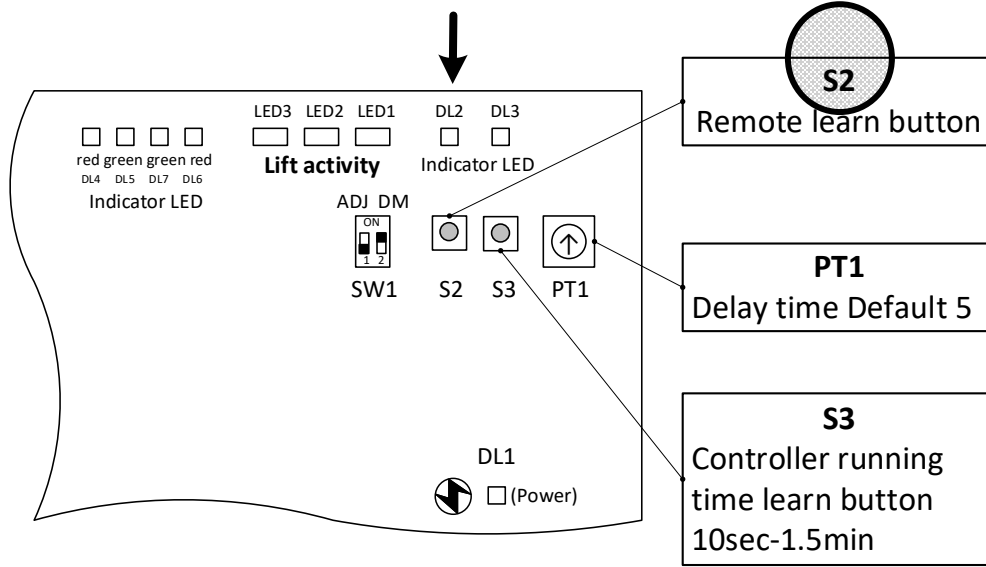
S2
Remote learn button

PT1
Delay time Default 5

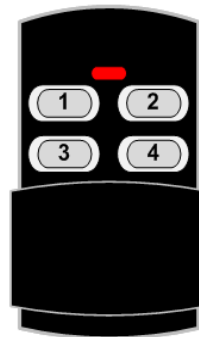
S3
Controller running
time learn button
10sec-1.5min

Switch on Controller	Indicator
Switch on the Controller, press power switch to the left	LED DL1 is lit
Programming the running time	Indicator
Press S3 run time button	LED DL3 starts to flash after 3 sec.
Hold S3 for 1:30min (max running time)	LED DL3 flashed and stopped release key
(You can program time between 10s and 1:30min) release key	e.g press S3, LED start to flash, hold for 30s, Running time is 30s now

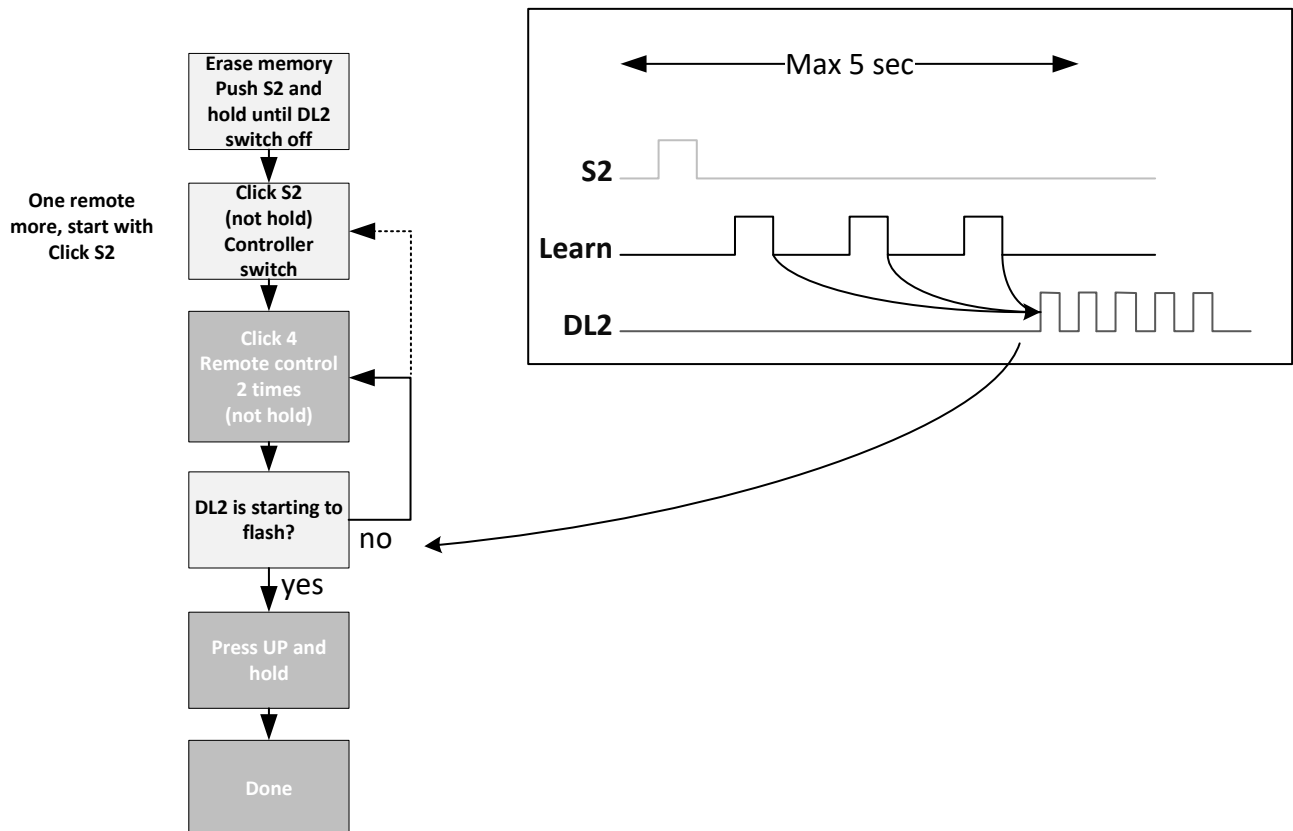
Problems	Check
After switch on, LED DL1 is not lit	Is the plug connected to the outlet? Is the Outlet on a switch (and turned off)? Check the outlet works with an appliance. Check the wire connection. Disconnect the Controller from the outlet and check the fuses.



- 1 UP
- 2 Stop
- 3 Down
- 4 Learn



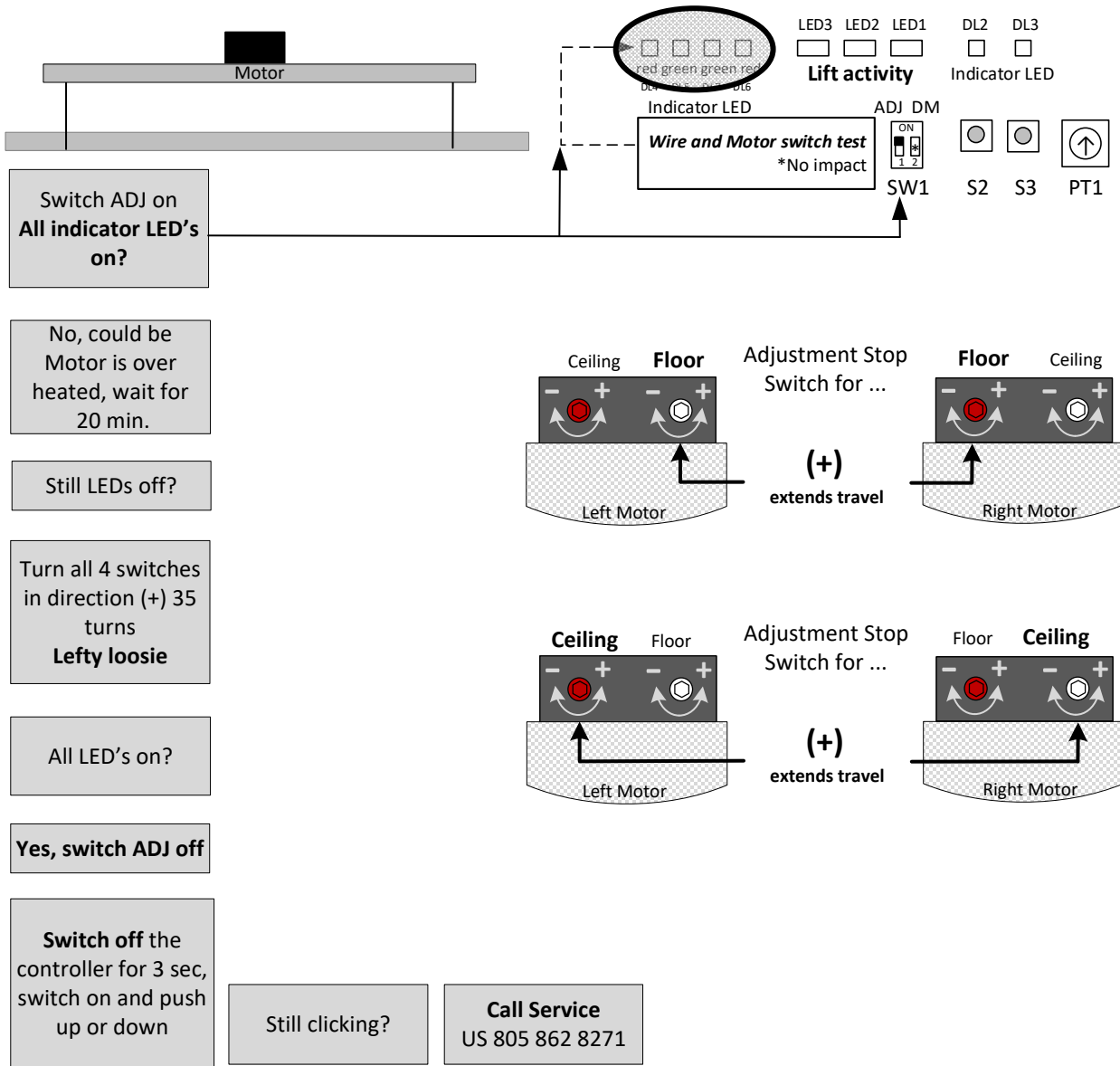
One Channel Remotes are Pre-configured





**Overheated? Not running just clicking?
Motors were running more than 4min?
Allow motors to cool for 20min**

Clicking



If you are done with the adjustment, please switch the DeadMan function back on

Important! The Lift has to run to the ceiling end points (stopped automatically) in order to be leveled properly.

