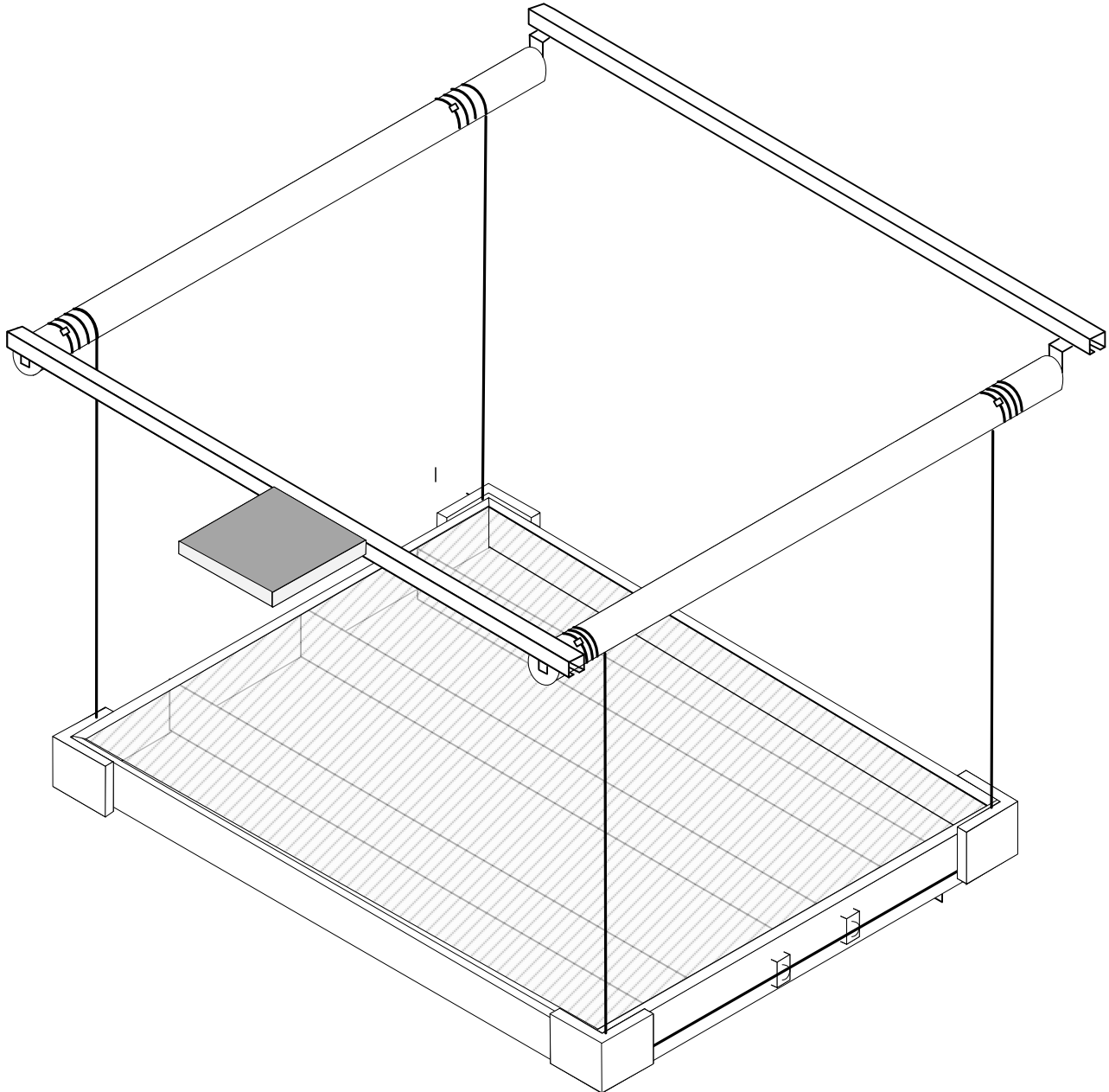


# AUXXLIFT 1800



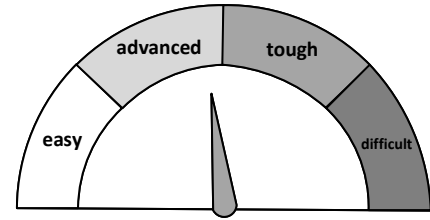
All rights reserved  
US Patent  
Release 07/2023



Design and Quality  
AUXXLIFT of the USA

# Before YOU start

1. Have you read through the instructions?
2. Do you have all the recommended tools?
3. Do you have somebody assisting you?
4. Have you allocated enough time?

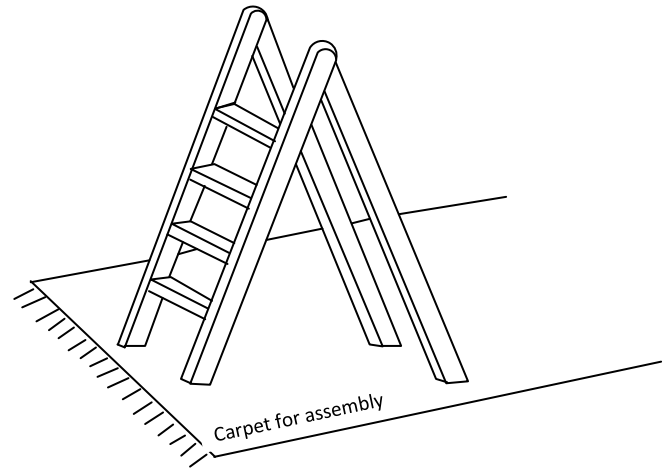


For a professional it takes about 3 hours to install.

## ***What is most important is to follow the instructions***

and read everything carefully before you start.

5. You need a good, stable ladder.
6. Don't use an impact driver.
7. Clean the area before you start.
8. Wear safety glasses!
9. Keep work area clear!



Check measurements during construction.

Make sure that nothing is in the way e.g. windows, doors etc.

10. Does your garage ceiling have or has had termites?
11. Are the joists strong and big enough? (2" x 4" at least)
12. Mounting to a concrete ceiling requires anchors!
13. Has your home been built according to valid standards and guidelines?
14. If you have doubts about the ceiling construction, please ask a specialist!

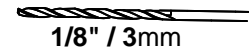
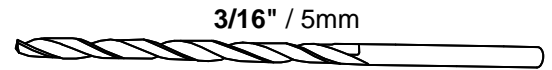
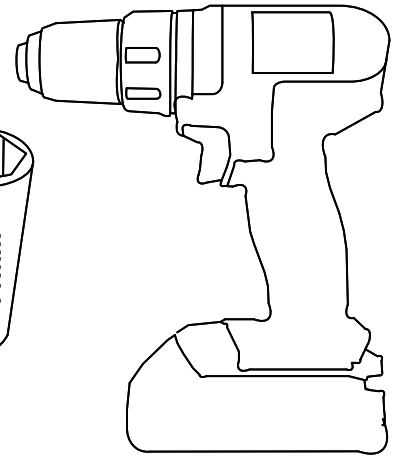
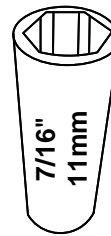
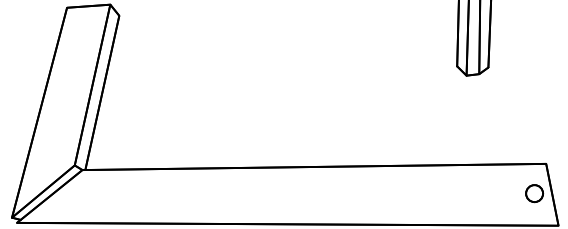
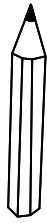
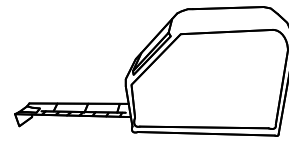
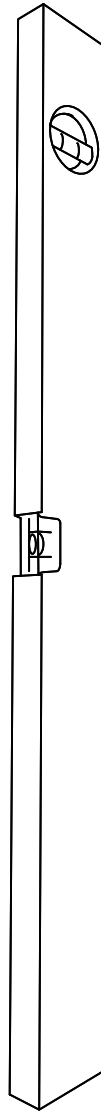
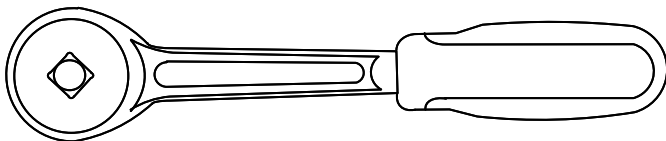
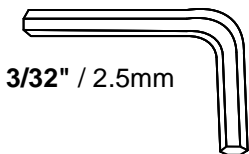
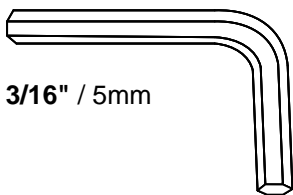
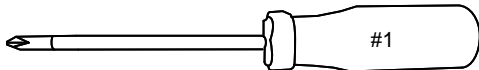
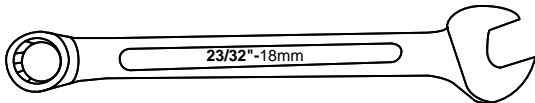
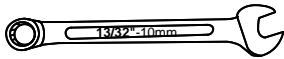
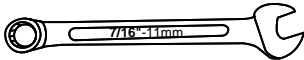
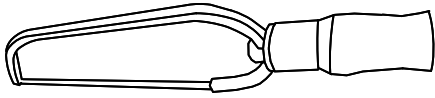
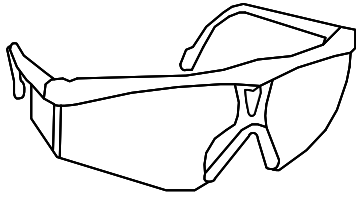
If you have any problems understanding the instructions or you feel uncomfortable handling the installation, please ask a handyman or work with a contractor. Call/ write us if you need help or have concerns or questions.



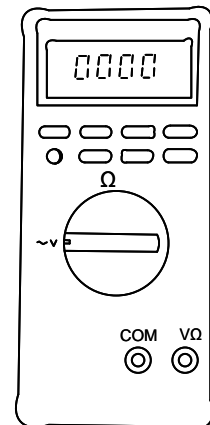
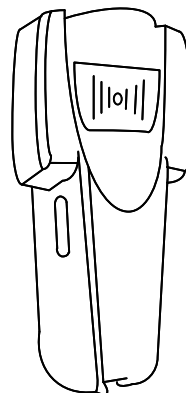
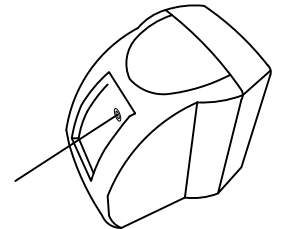
[www.auxx-lift.com](http://www.auxx-lift.com)

Help phone: PST 10 am -3 pm 1 805 862 8271

# RECOMMENDED TOOLS

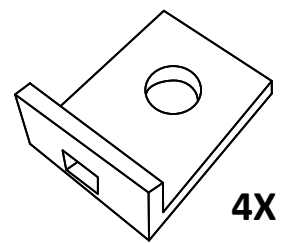
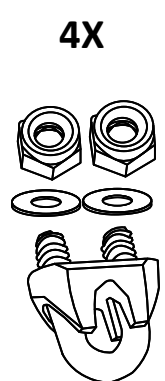
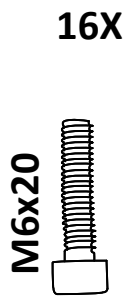
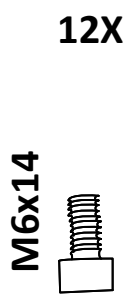
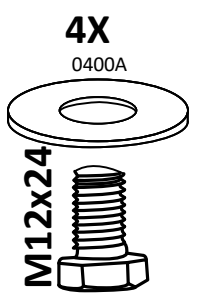
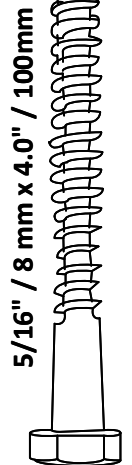
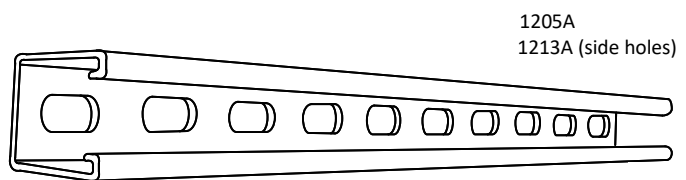
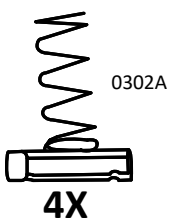
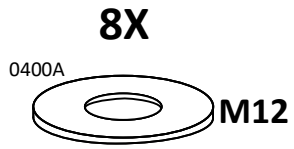
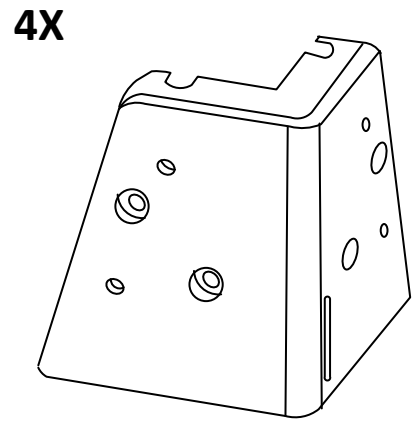
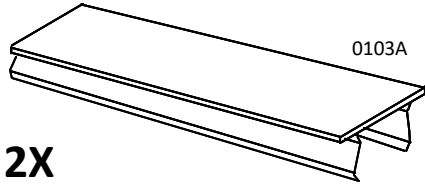
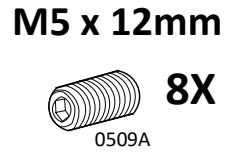
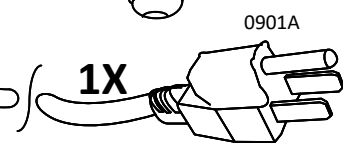
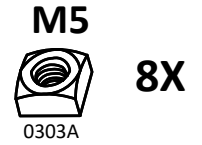
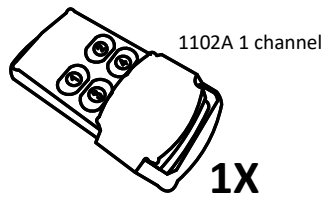
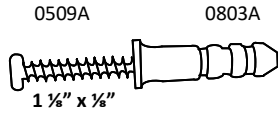
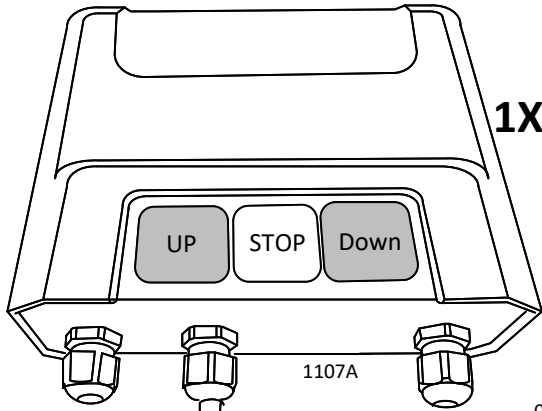


## Nice to have



# LIST OF PARTS

\*Bold numbers are for 600lbs version



0202A

0507A

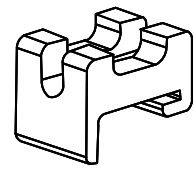
0505A

0503A

0504A

0301A

0703A

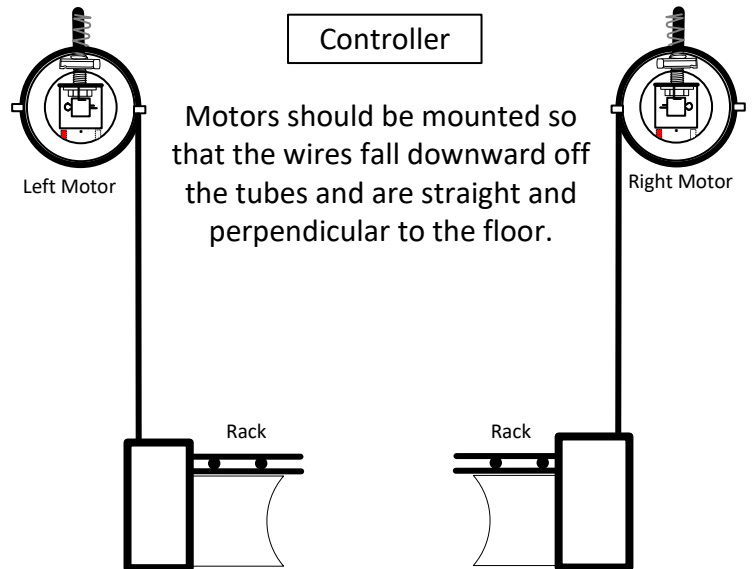
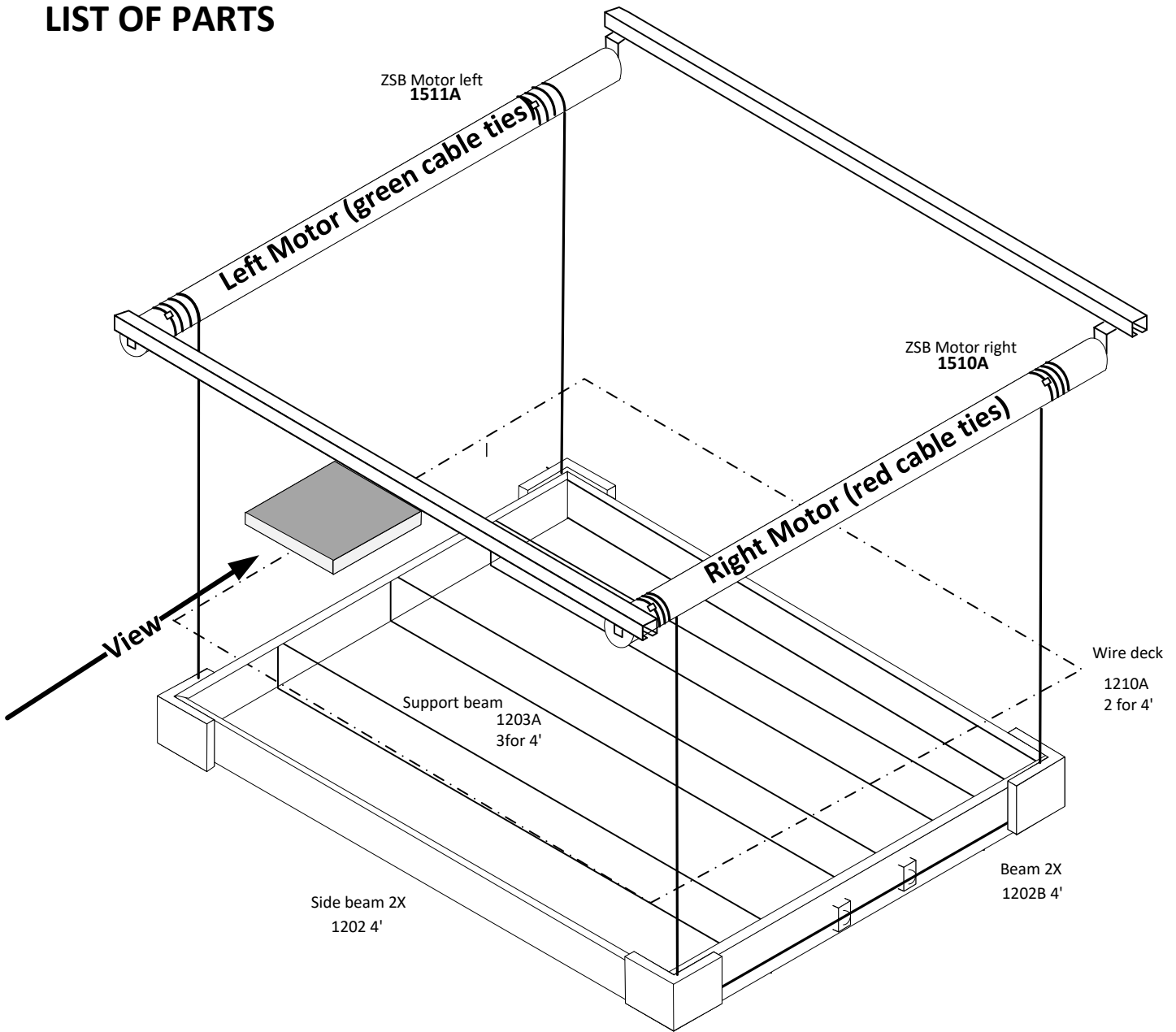


0002A



0603A

# LIST OF PARTS

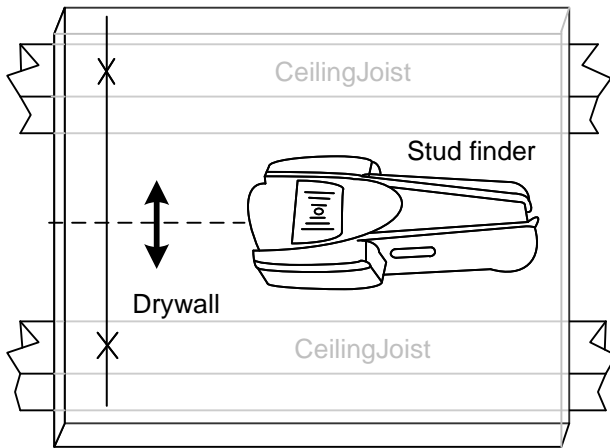


**i** Information

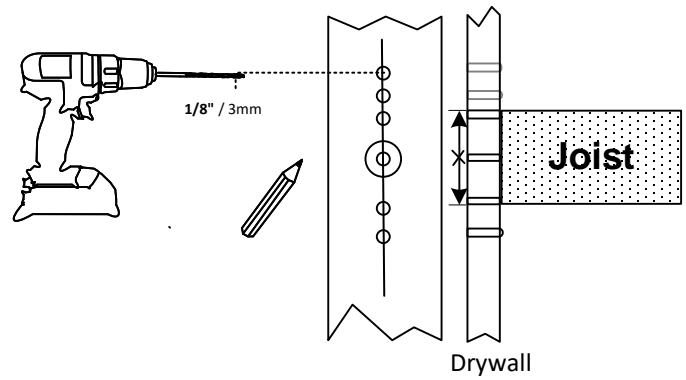
**t** Troubleshooting



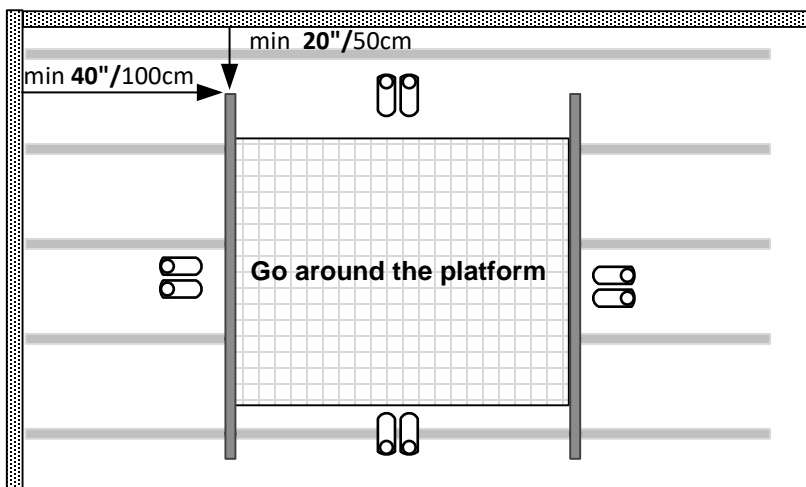
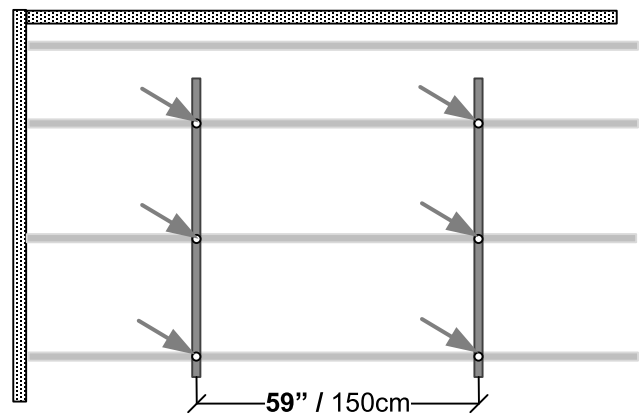
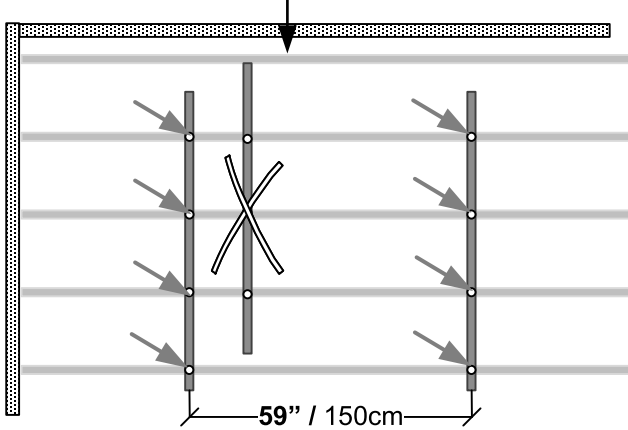
Option 1



Option 2



Rail overhang on joists should be less than 12" / 30cm

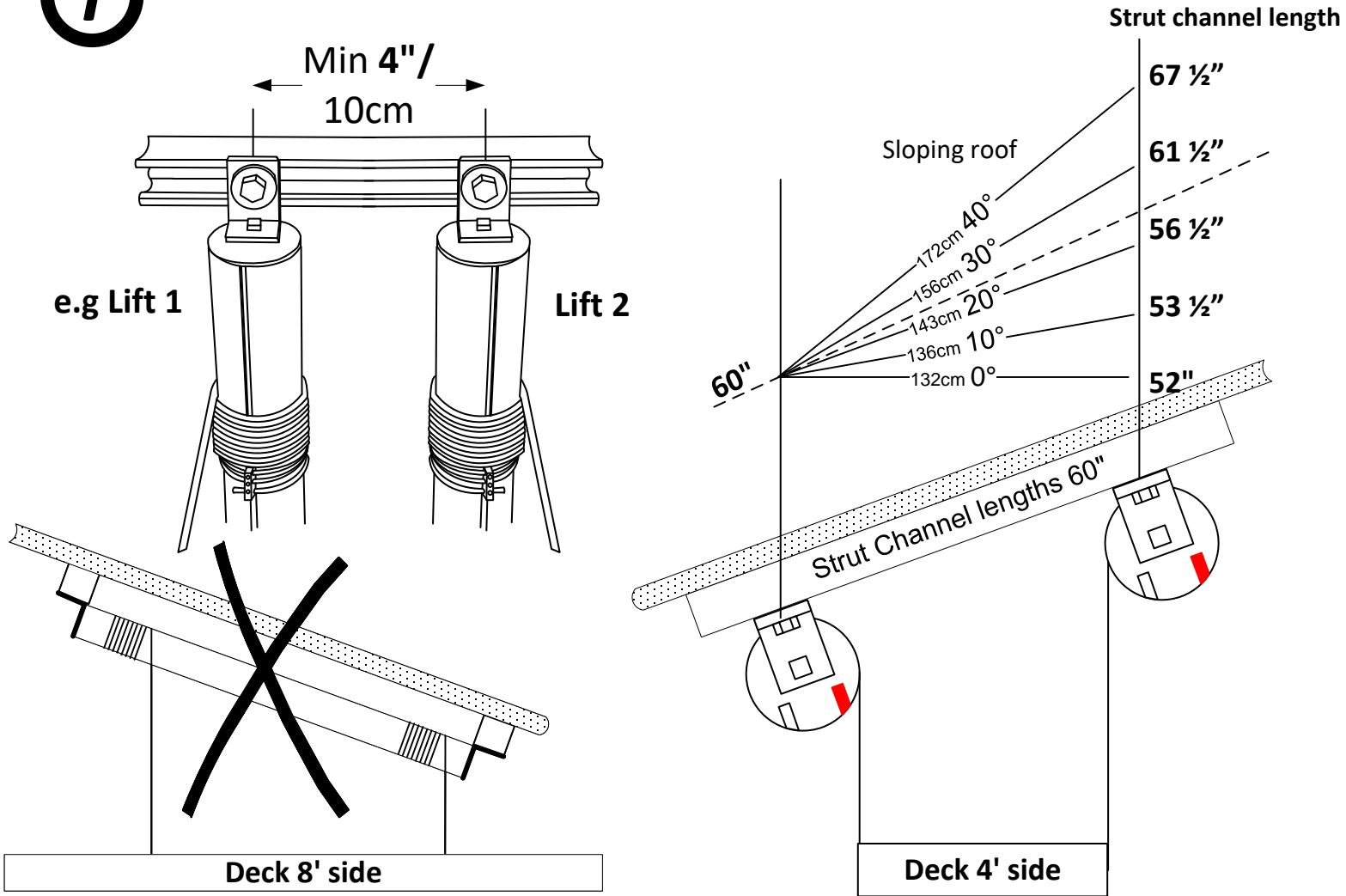


**!** If you have doubts about the ceiling construction, please ask a specialist!

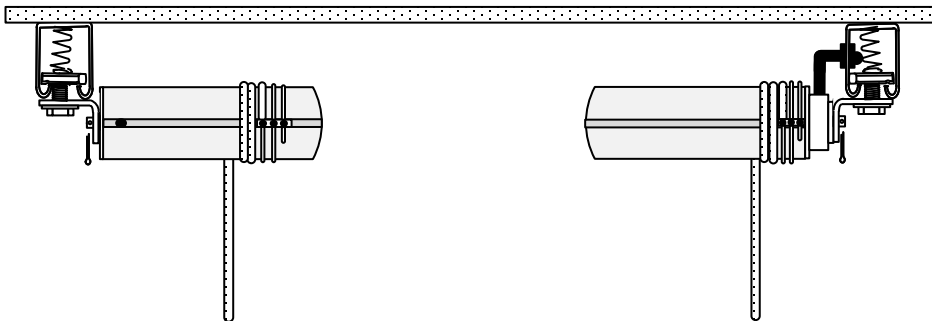
*For installations where joists are rotated 90°, please visit Page 11  
Minimum Required Area, please visit Page 10*



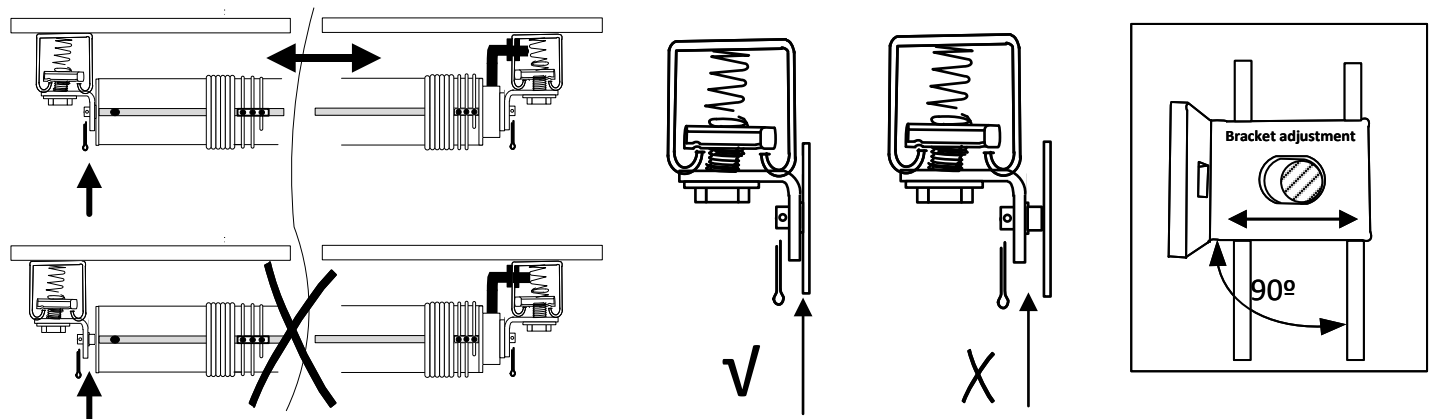
# Do's and Don'ts

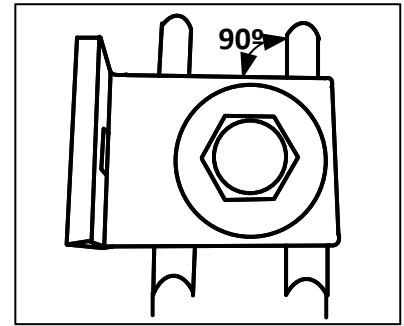
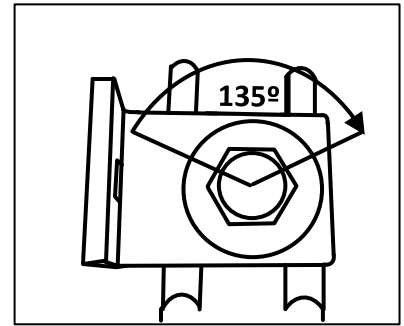
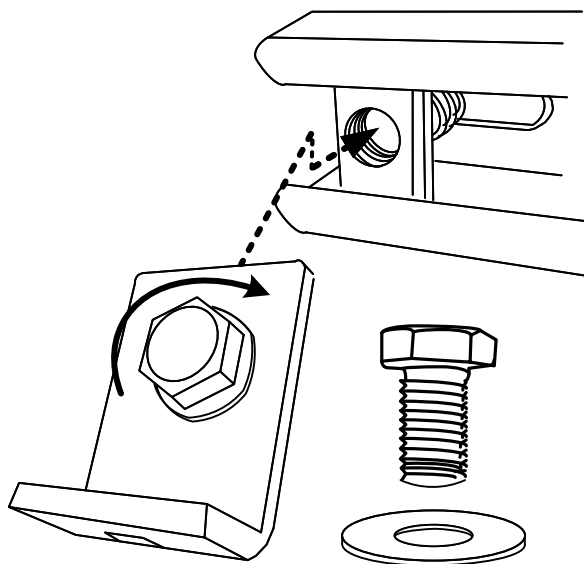
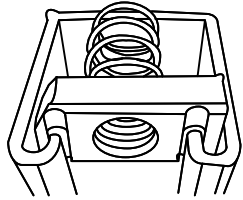


Maximum unwrapping of cable should be 3 wraps left on the tube

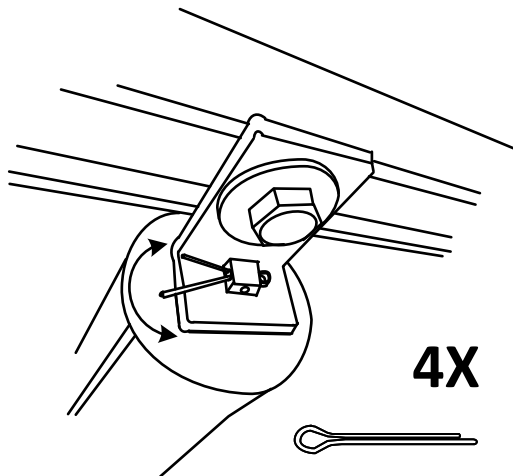
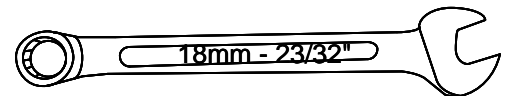


Gap between bracket and motor should not exceed 1/16" / 1mm

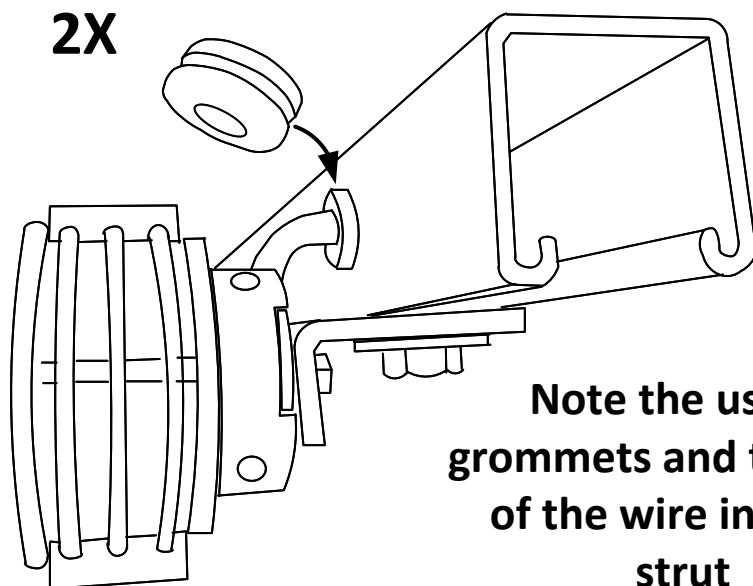
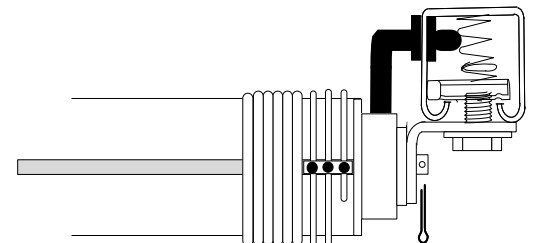
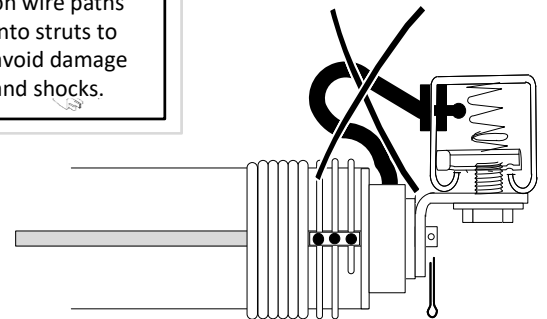




Tighten screw until the washer no longer rotates. Then tighten screw another 135° in the same direction.



	<b>WARNING</b>
	Use Grommets on wire paths into struts to avoid damage and shocks.

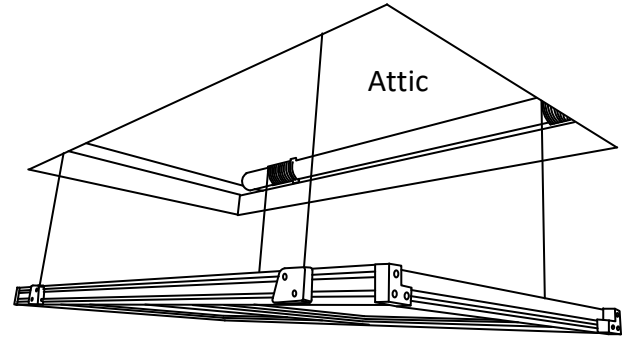
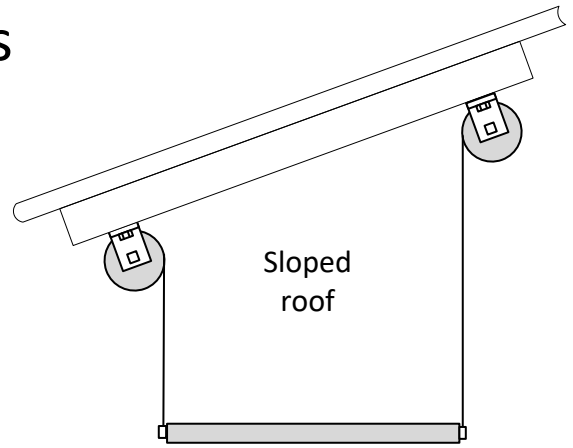
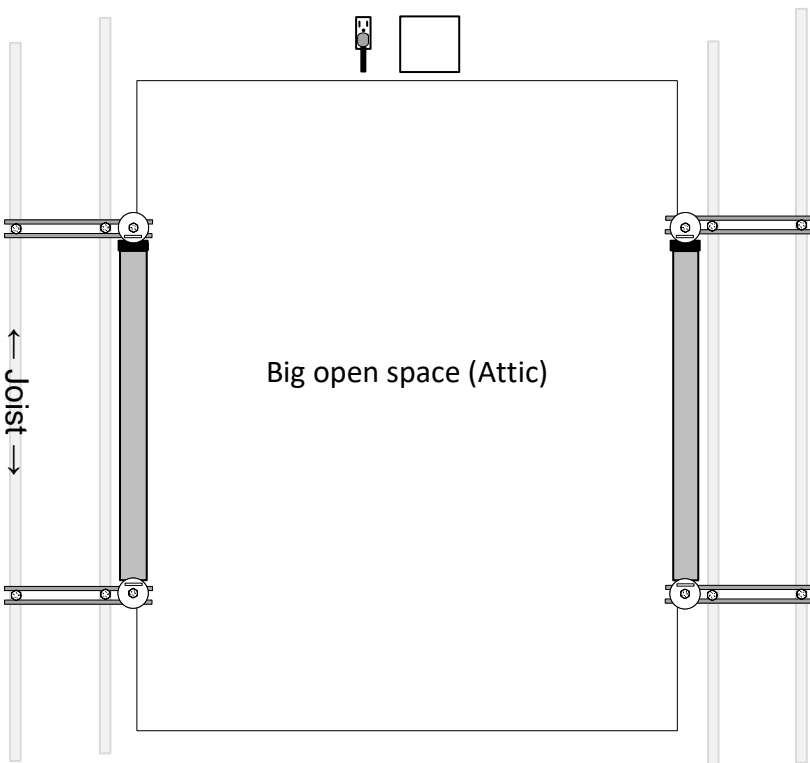
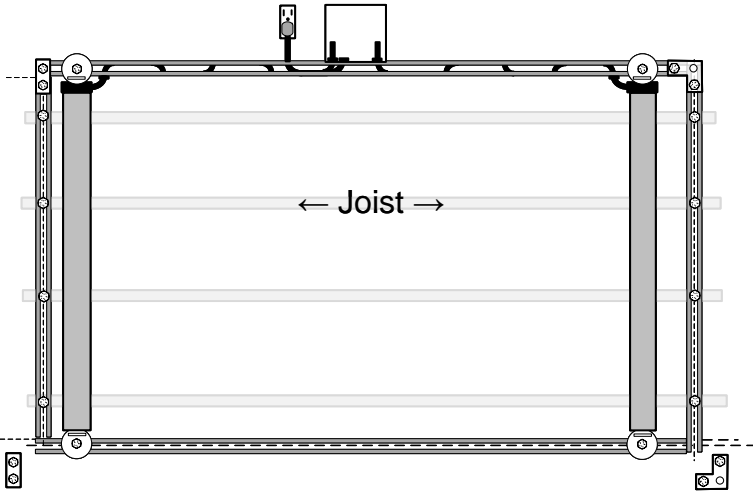
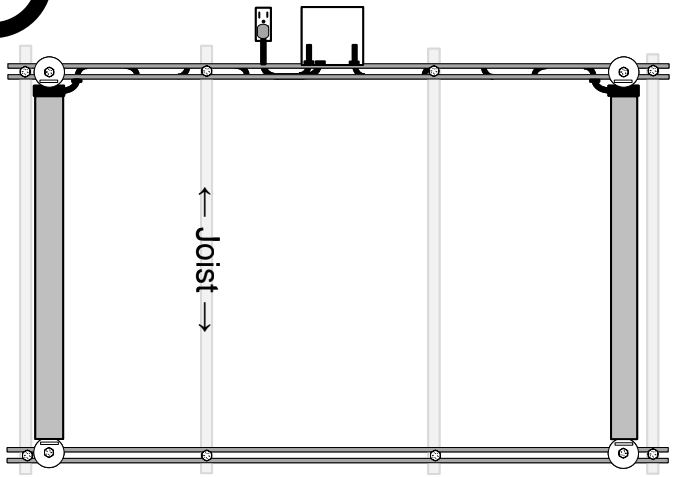


Note the use of grommets and the path of the wire into the strut





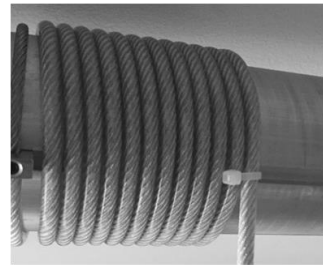
# Options



## Projects in which the wire rope lose tension



Wire rope wound up



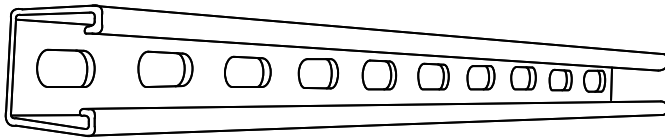
Maximum unwinding of the cable should leave 2 wraps



Even without tension the cable wraps should be side by side and there is no overlapping.

# 1

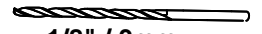
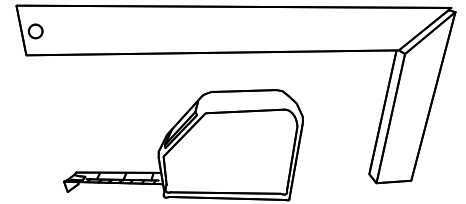
Strut Channels



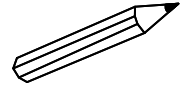
2X



2X



1/8" / 3mm  
(For pilot hole)

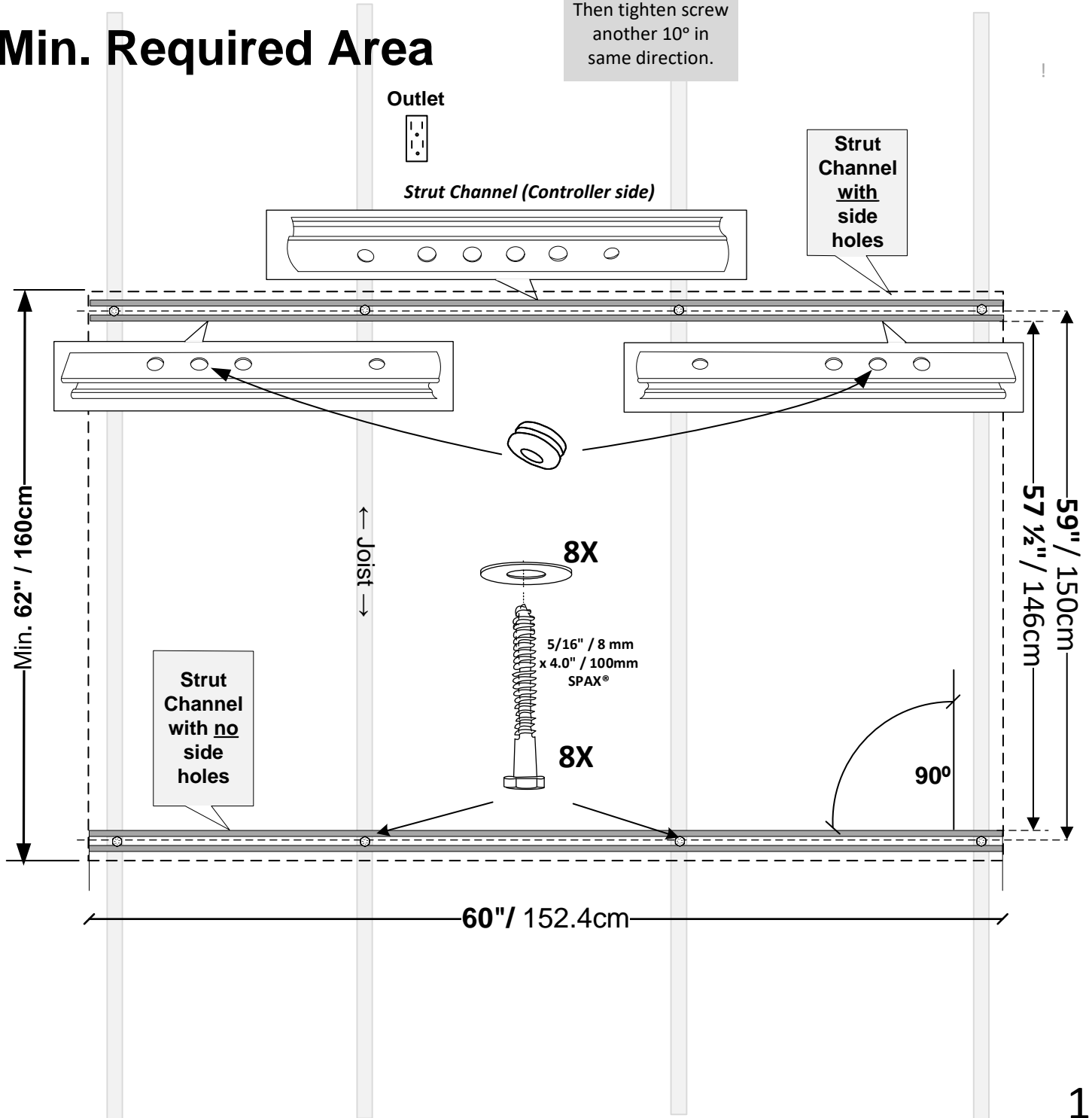


### Warning!

DO NOT use an Impact Driver to tighten the Lag screws!

Tighten screw until the washer no longer rotates. Then tighten screw another 10° in same direction.

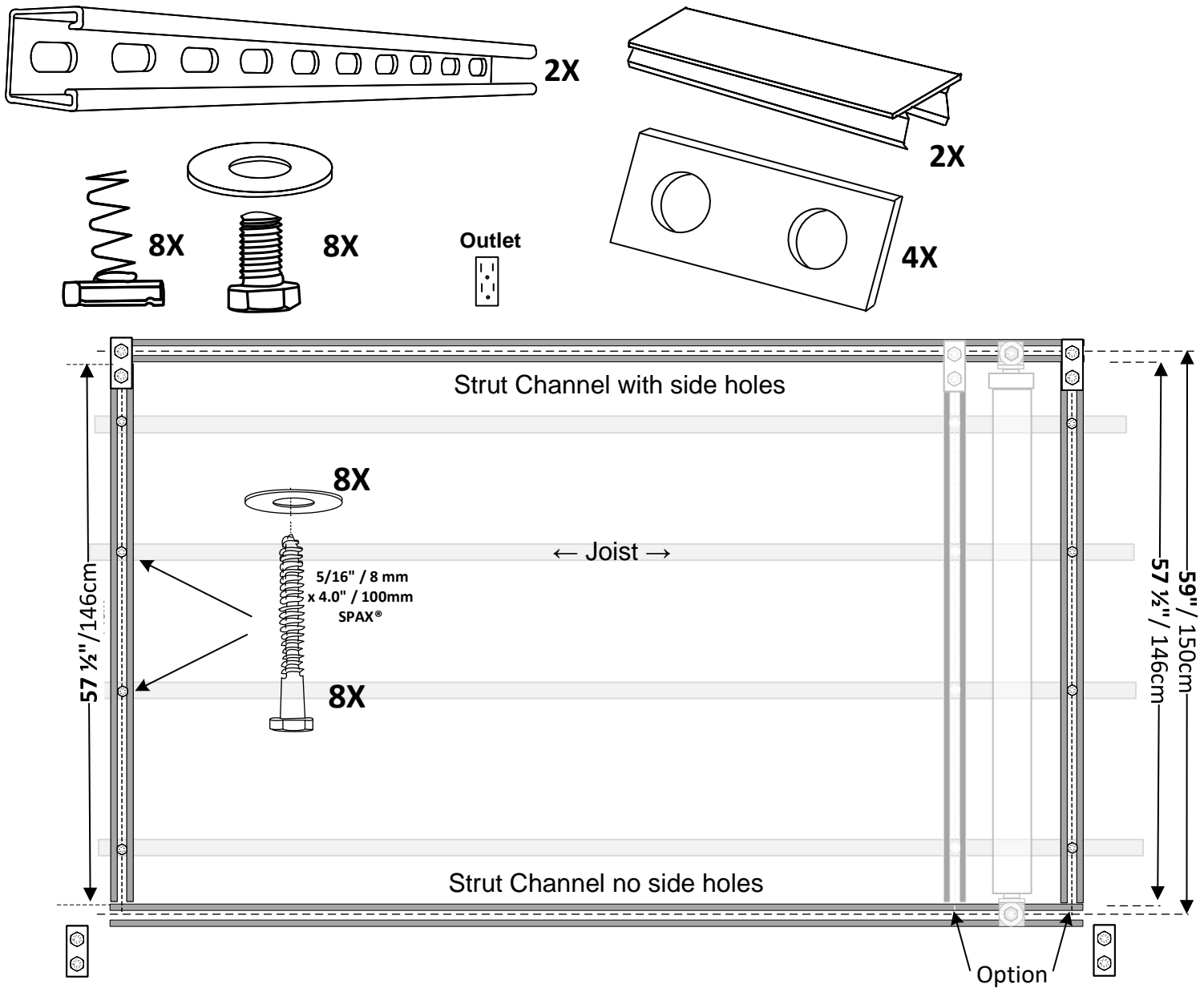
## Min. Required Area



# 2

Strut Channels

## Joists rotated 90° from Standard: Extra Strut Channels required (to be purchased seperately)



Extra material for this configuraton is not included. You will find the below materials at any big-box hardware store or order it from us (contact us).

1x Strut Channel 10'

8x Strut Spring Nuts 1/2"

8x Strut Screws Hex-Head Bolt

4x Strut Brackets

Model # ZA12HS10EG

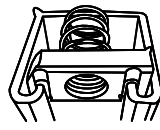
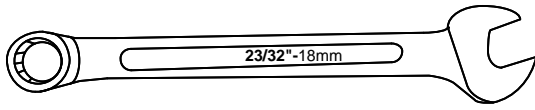
Model # ZA1001/2EG-10

Model # ZE142121516EG10

Model # ZAB206EG-10

3

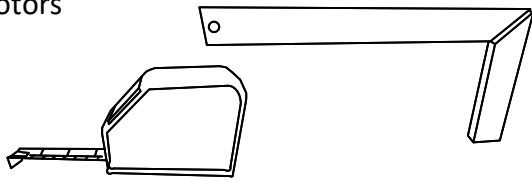
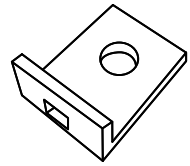
Motors



4X

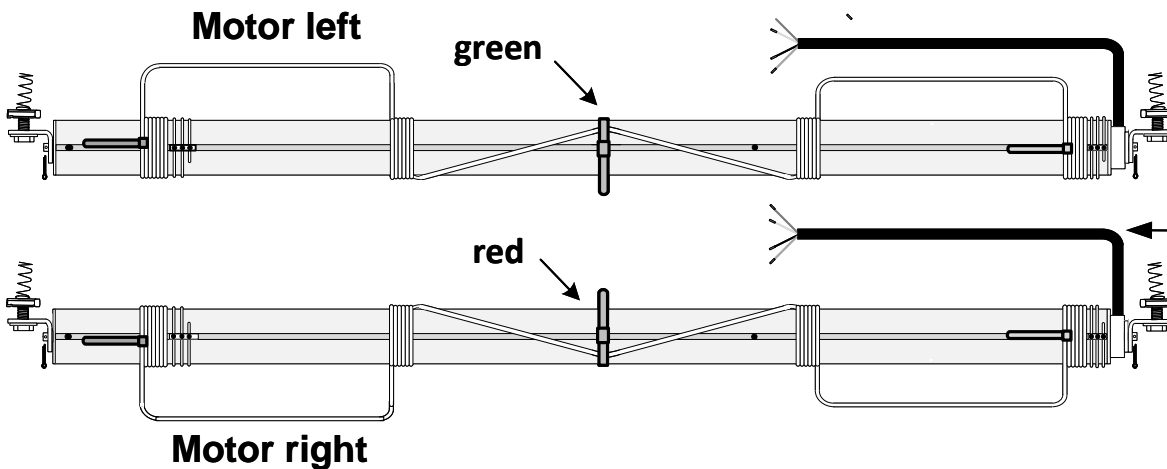
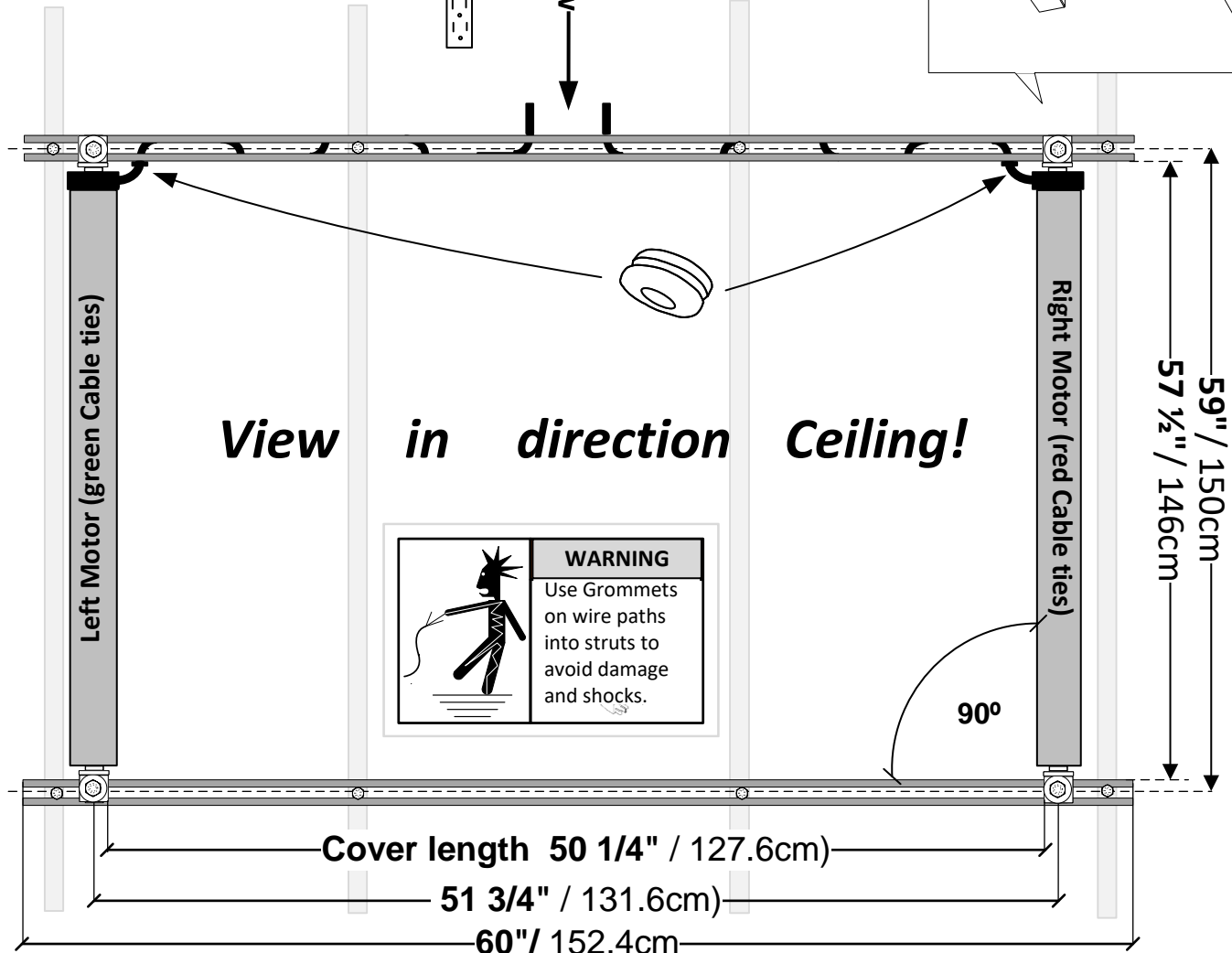
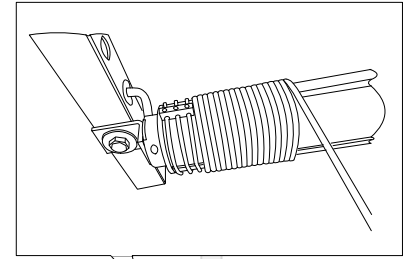


4X



Outlet

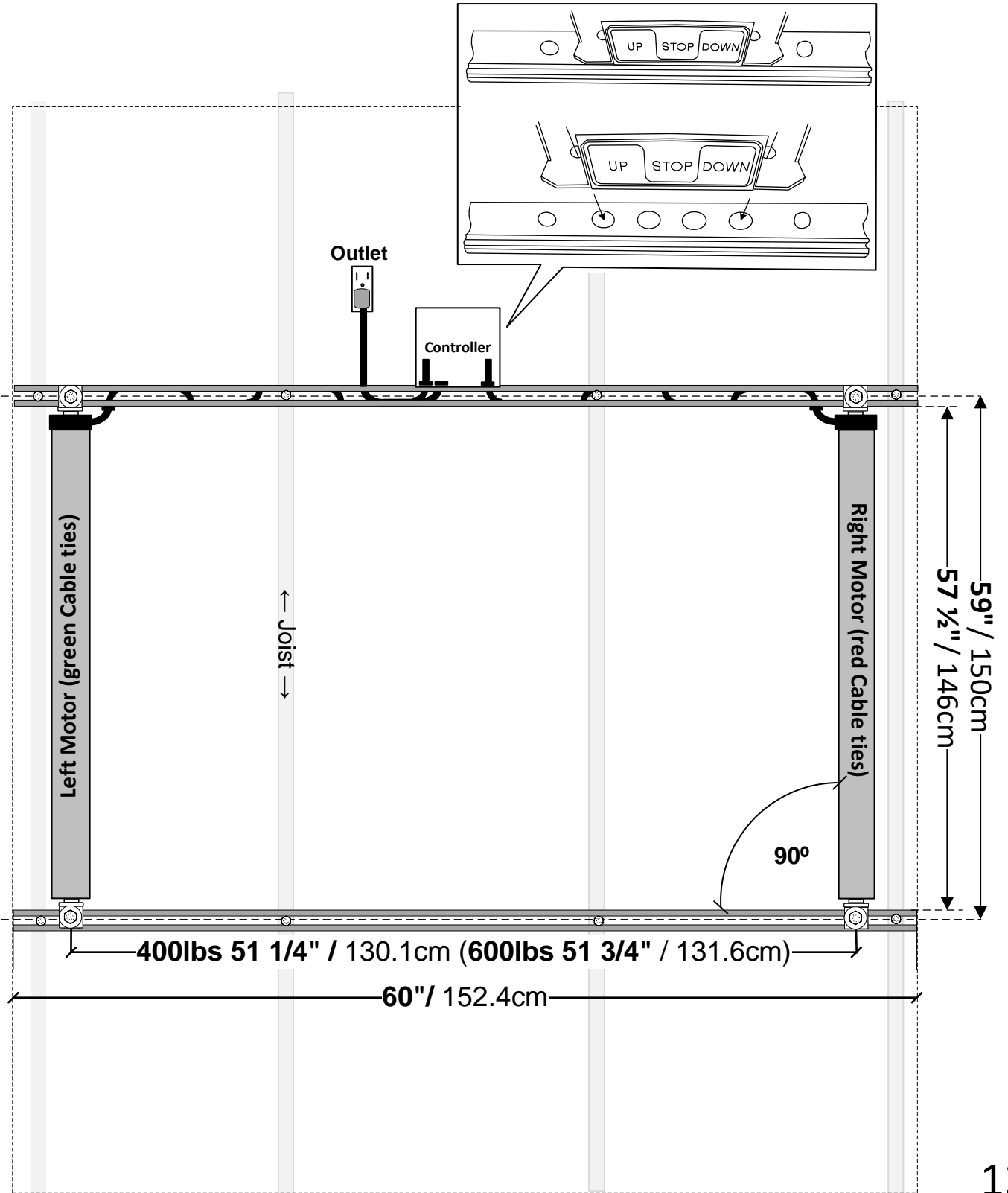
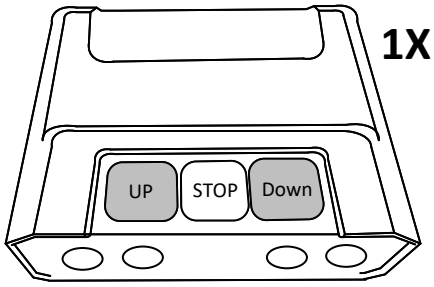
View



The black cables that come out of the motors needs to come straight up towards ceiling.

# 4

Controller

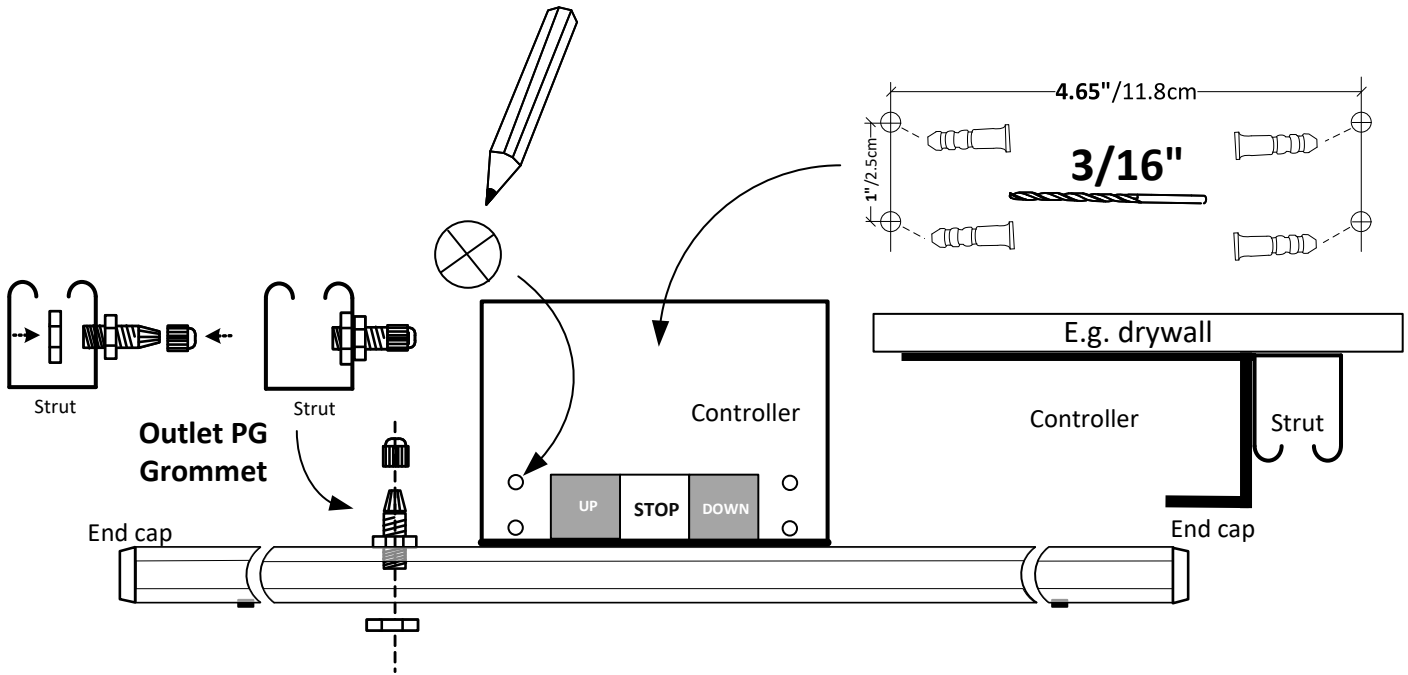
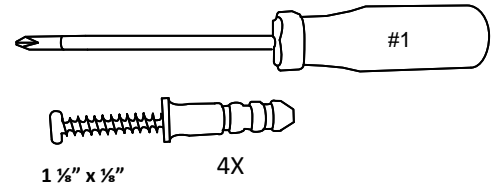


# 5

Controller

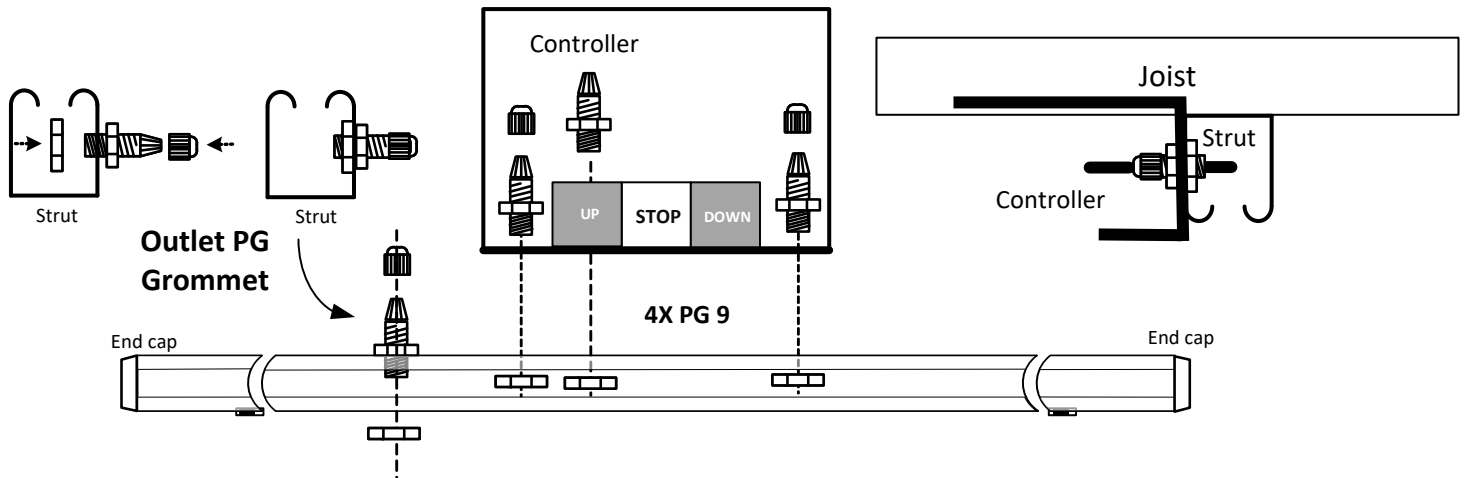
## CONTROLLER MOUNTING OPTIONS

### If Drywall/Concrete Ceiling:



- Use anchors for dry wall/concrete ceilings
- For outlet, always use PG grommets!

### If NO Drywall/Concrete Ceiling (open ceiling):



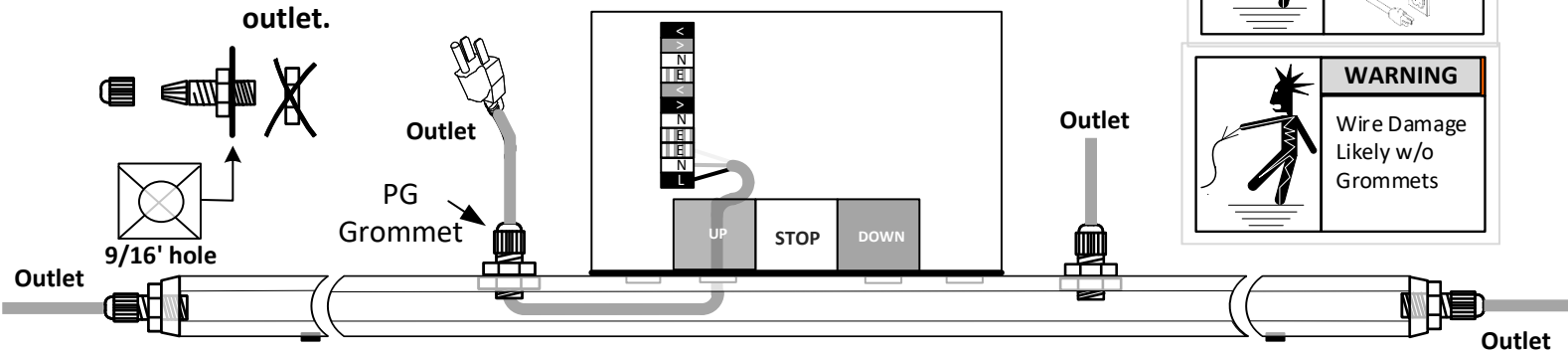
- PG grommets: If you have only joists, not e.g. drywall.
- For outlet, always use PG grommets!

# 6

Wiring

## Controller wiring

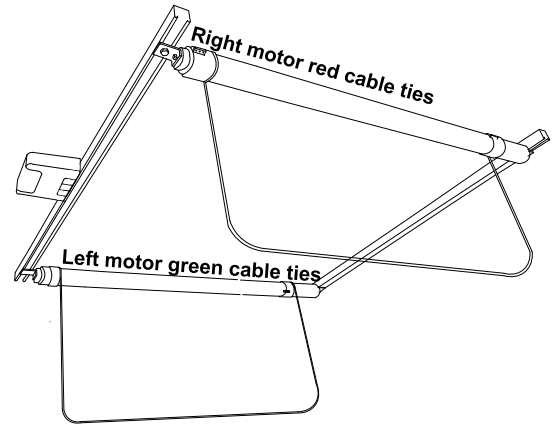
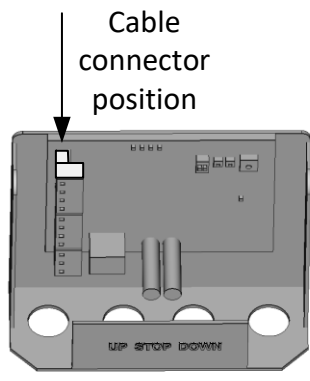
Several options are available to plug the power cable to the nearest outlet.



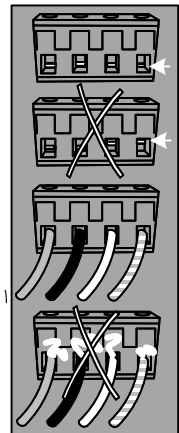
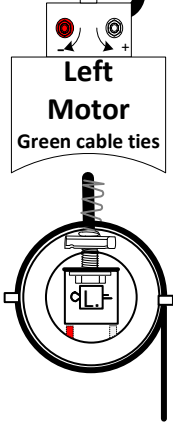
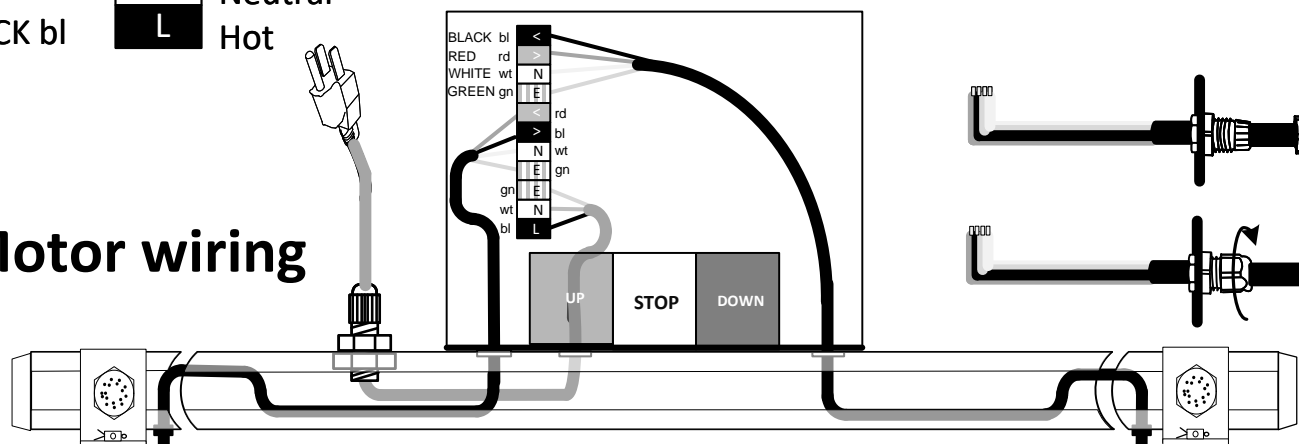
**WARNING**  
Shock Hazard  
Disconnect power before working on wiring

**WARNING**  
Wire Damage  
Likely w/o Grommets

- |          |   |         |
|----------|---|---------|
| BLACK bl | < | Down    |
| RED rd   | > | UP      |
| WHITE wt | N | Neutral |
| GREEN gn | E | Earth   |
| RED rd   | < | Down    |
| BLACK bl | > | UP      |
| WHITE wt | N | Neutral |
| GREEN gn | E | Earth   |
| GREEN gn | E | Earth   |
| WHITE wt | N | Neutral |
| BLACK bl | L | Hot     |



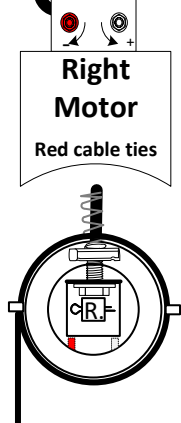
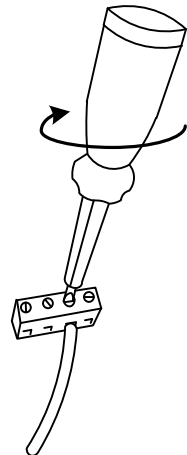
## Motor wiring



Motor Connector

*Before connecting to the outlet, make sure that all wires are tightly connected*

Wires are connected by tightening binding screws on the top of the green motor connector blocks

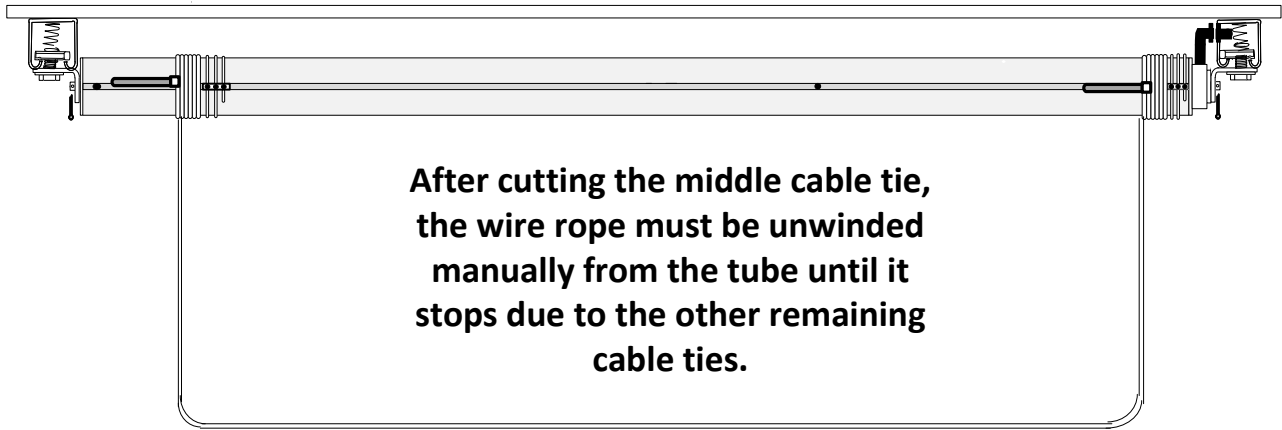
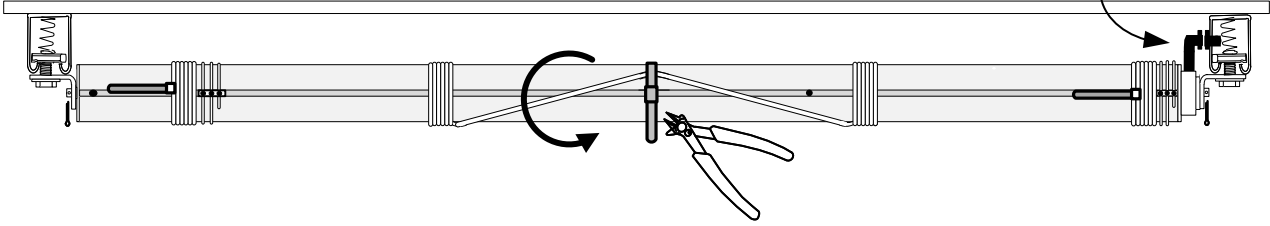


# 7

## Wire rope

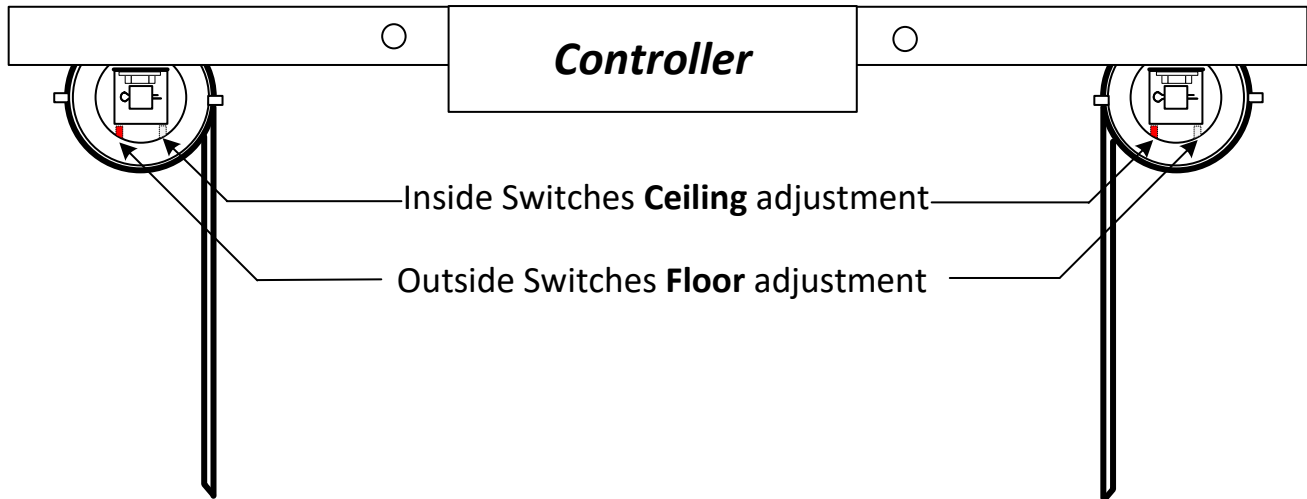
**Left Motor, green cable ties**

**Cable in direction ceiling**



**Left motor  
Green cable ties**

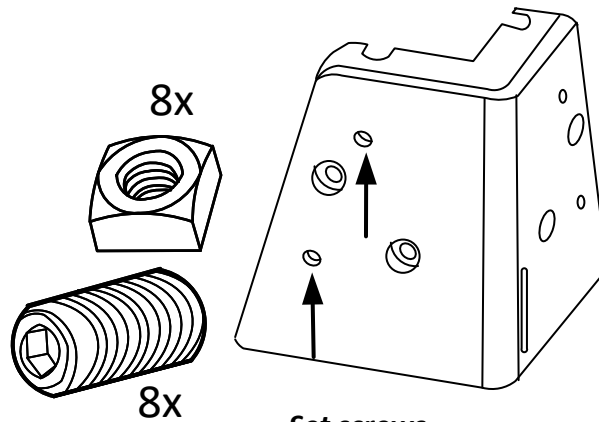
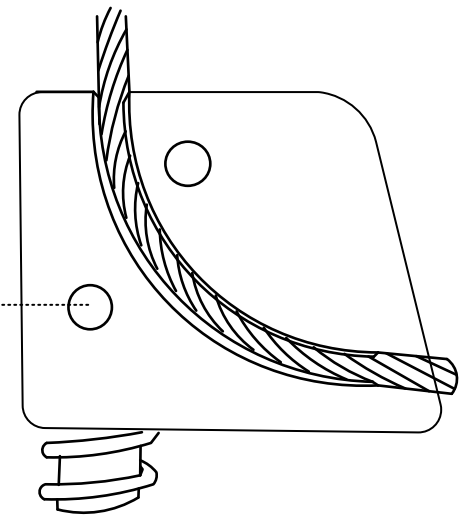
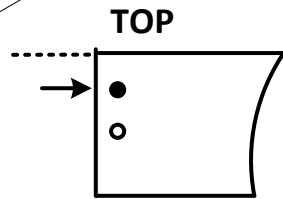
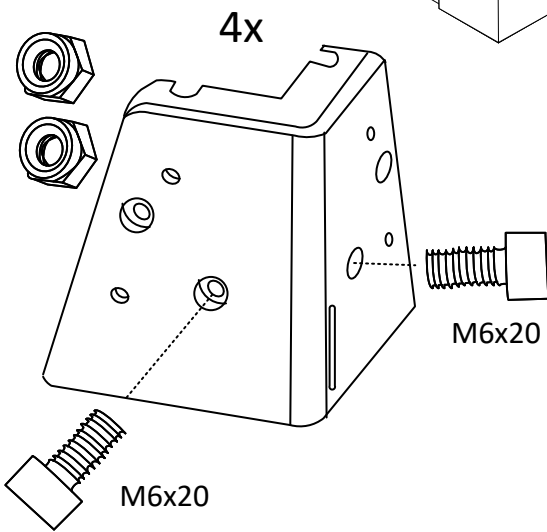
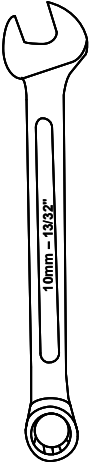
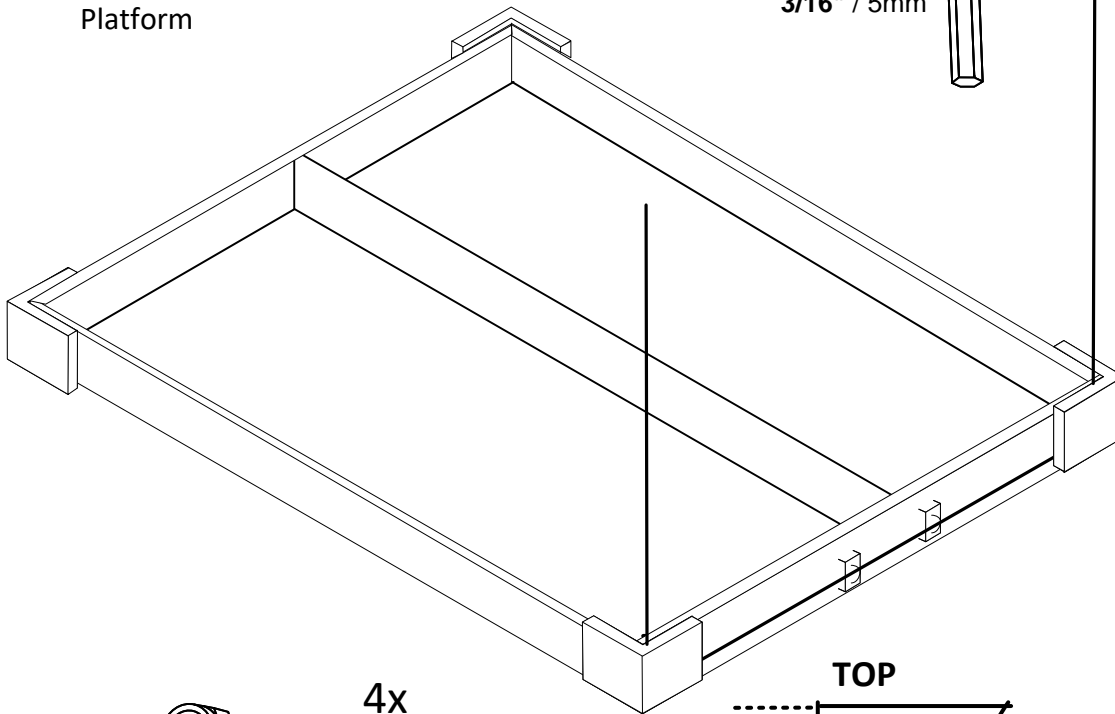
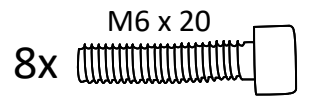
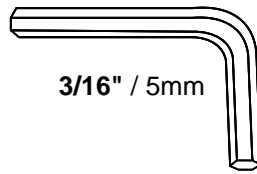
**Right motor  
Red cable ties**





# 8

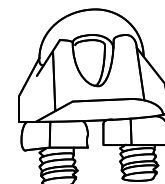
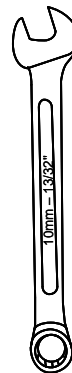
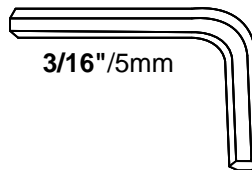
Platform



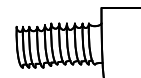
**Set screws  
Do not tighten yet!**

# 9

## Platform



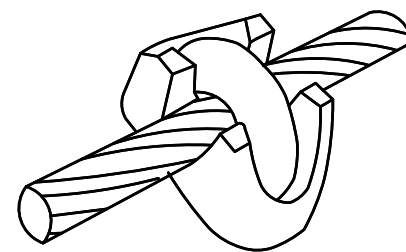
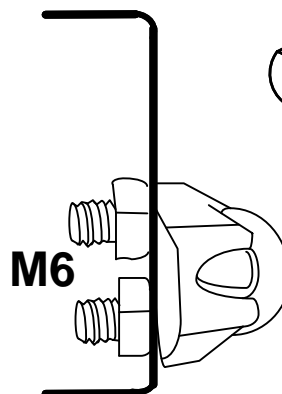
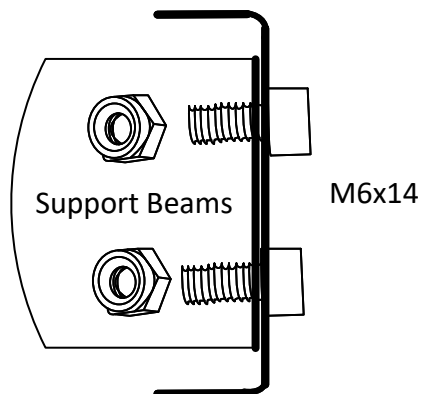
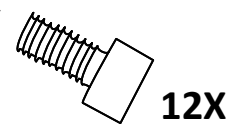
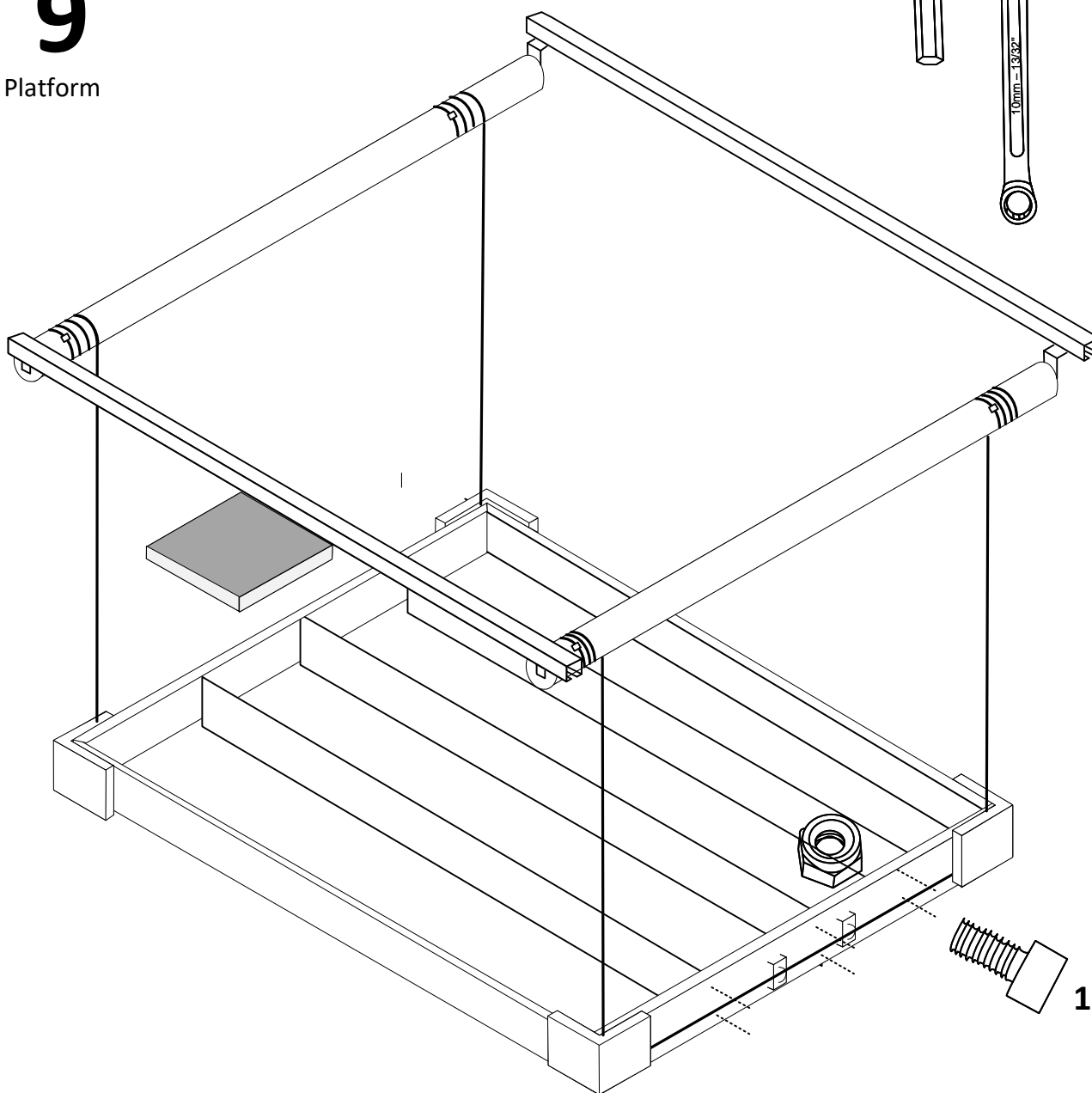
4X



12X



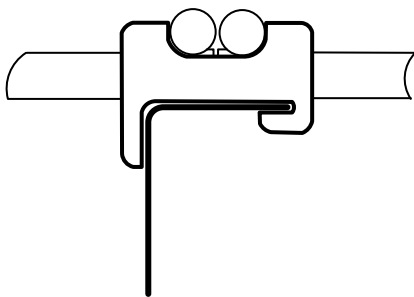
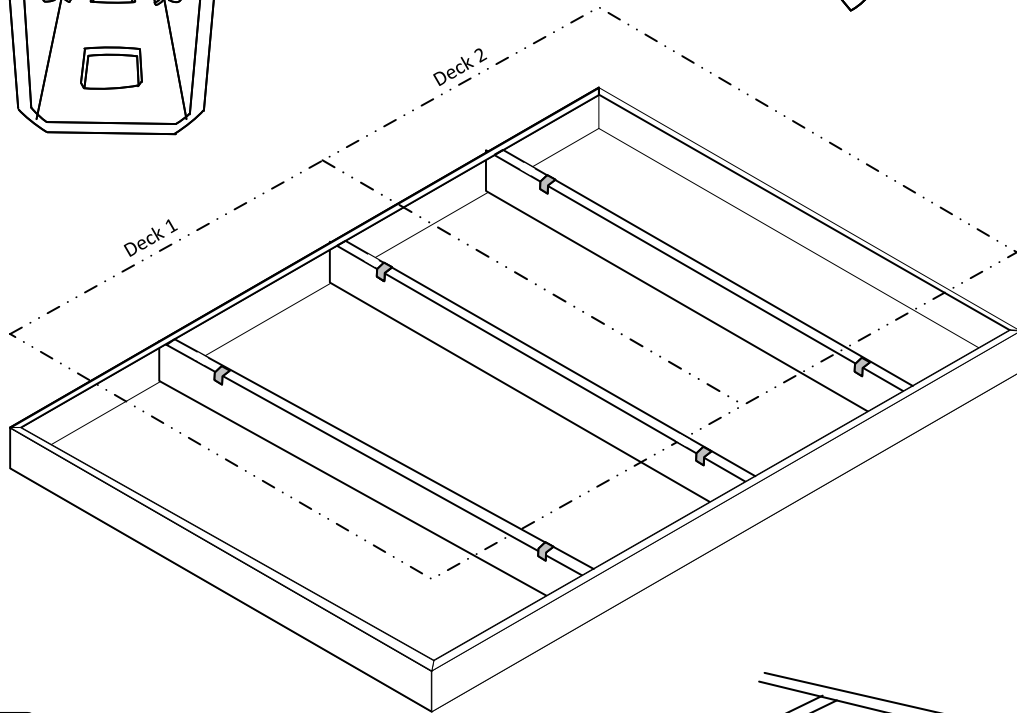
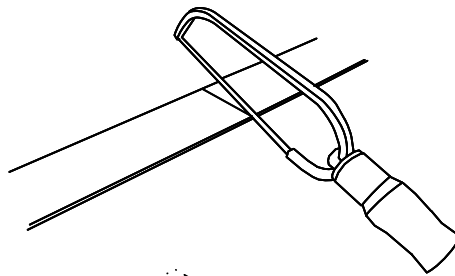
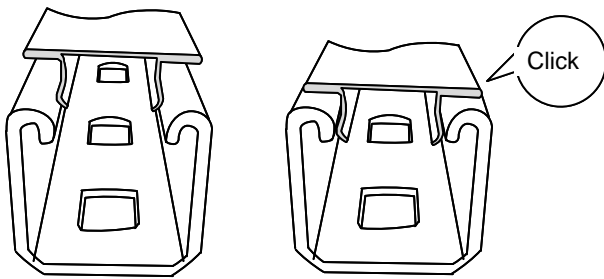
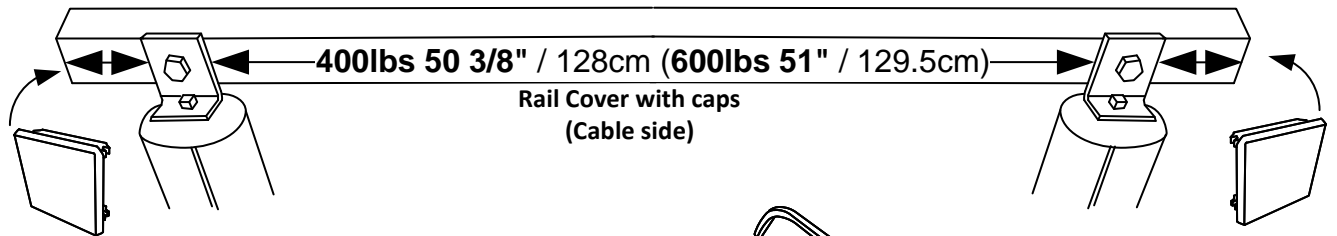
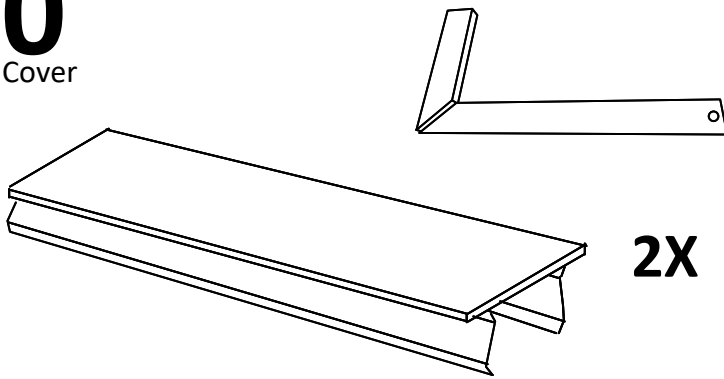
M6x14



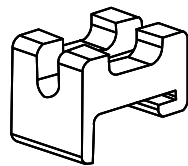
Do not  
tighten yet!

# 10

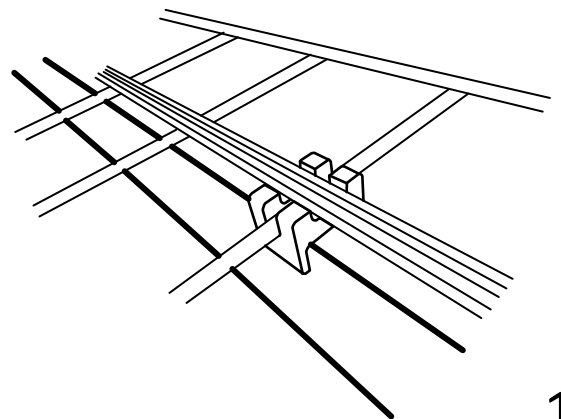
Strut Cover



Support  
beam



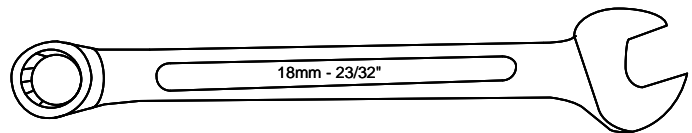
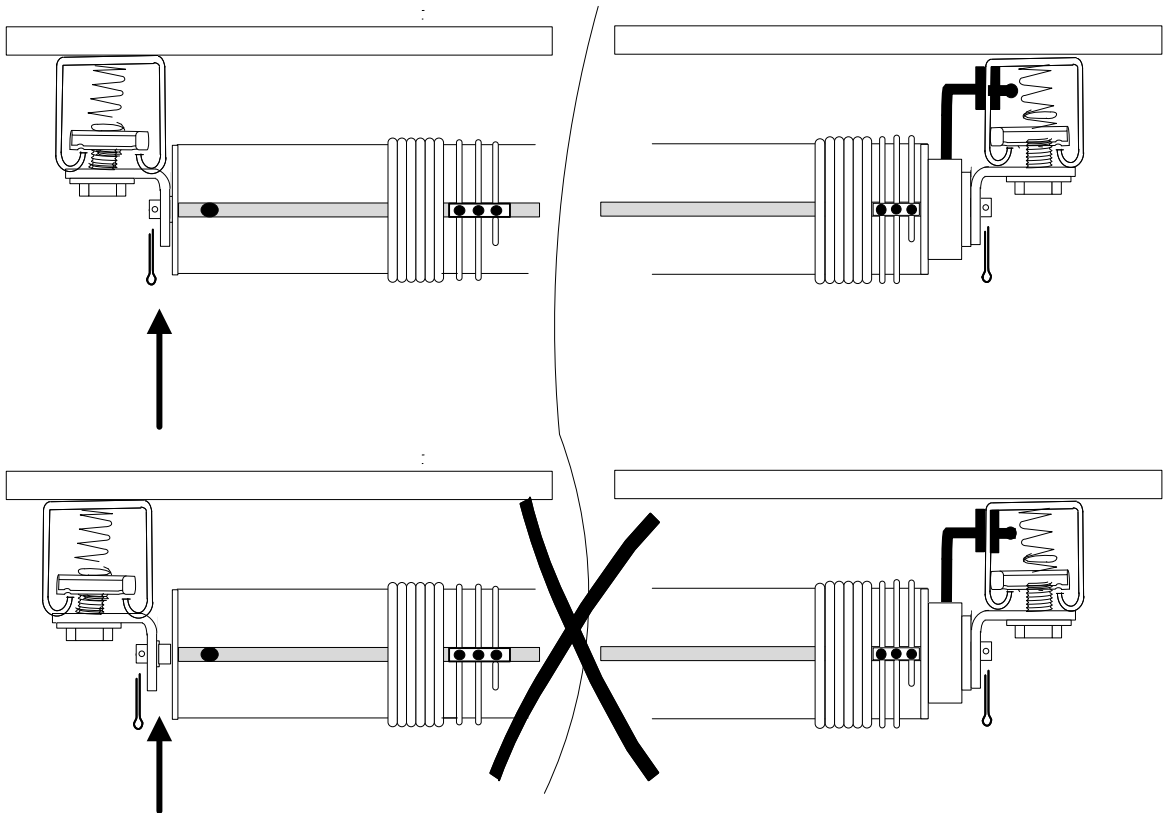
6x



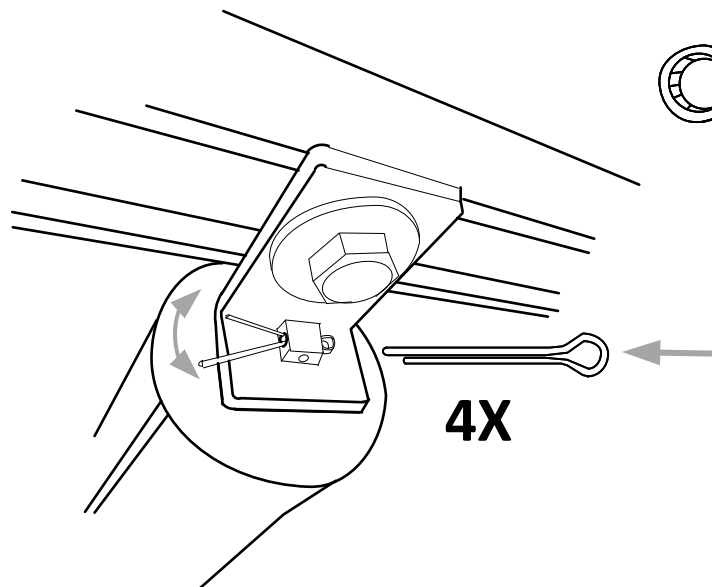
# 11 Inspection

Inspect and tighten all screws, wire clips, grommets and cotter pins. Make an mark on each part that might be able to shift over time (like the motor mounts) using a Sharpie pen to see the alignment hasn't changed. Inspect all items, especially movement on the alignment marks, once a year.

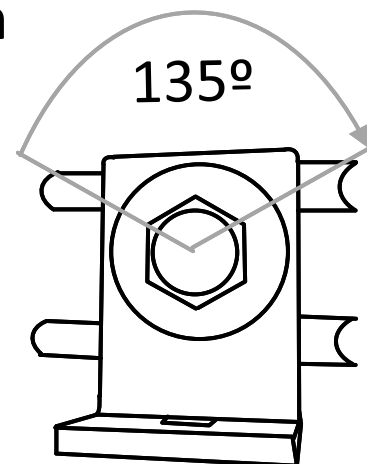
Gap not more than **1/16"**/1mm



**tighten**



**4X**



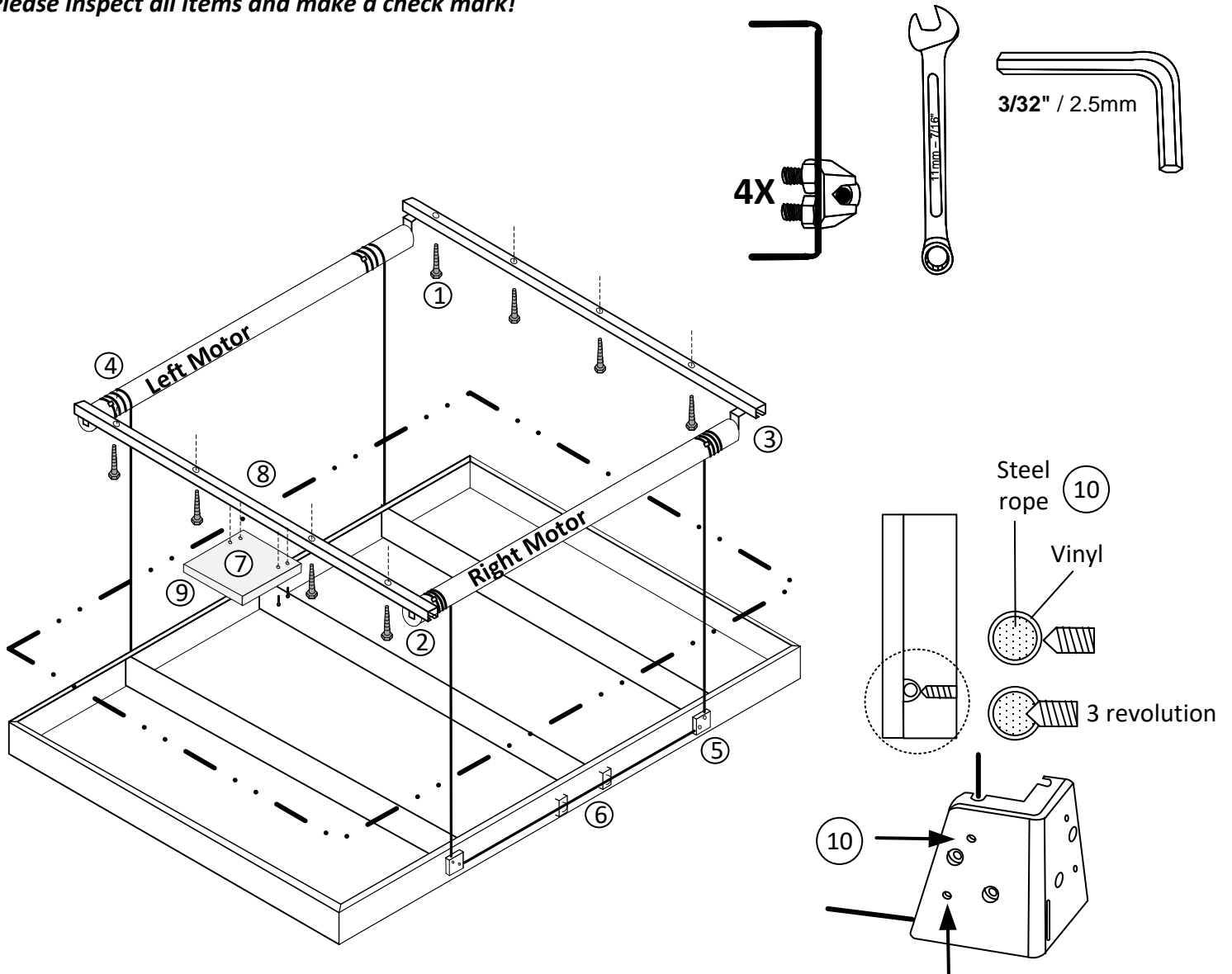
**135°**

# 12 Check

Check list (after installing, and than ones the year!

1. Lag screws tighten 8X
2. Cotter Pins installed and curved up 4X
3. 12mm Bracket screws tighten 4X
4. All set screws tighten 24X
5. All 6mm screws tighten 28X
6. Wire clips tighten 8X
7. E-Wire in the right order installed 11X
8. E-Wire is not laying on sharp corners
9. Controller is switch on
10. All set screws tighten 8x

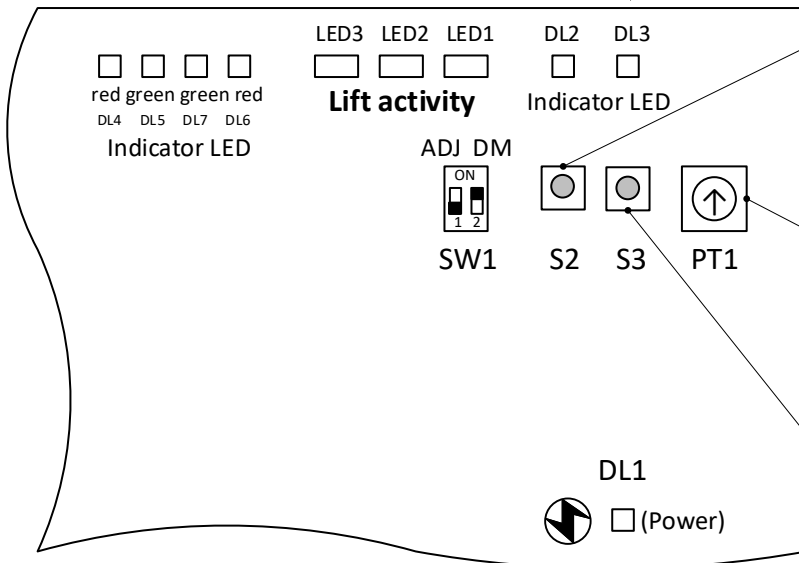
*Please inspect all items and make a check mark!*



**Important! The Lift has to run to the ceiling end points (stopped automatically) in order to be level itself properly.**



Running Time Preadjusted  
for 1.5 min



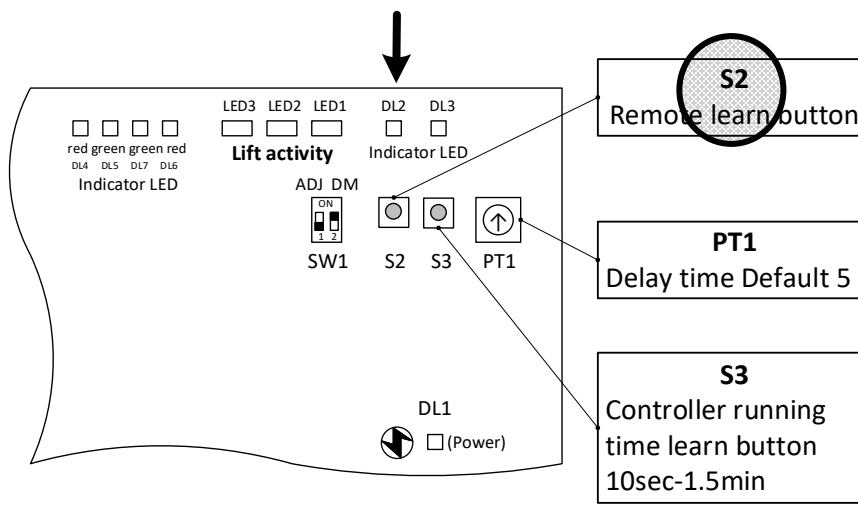
**S2**  
Remote learn button

**PT1**  
Delay time Default 5

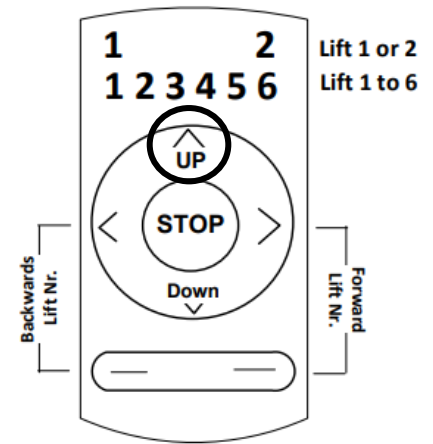
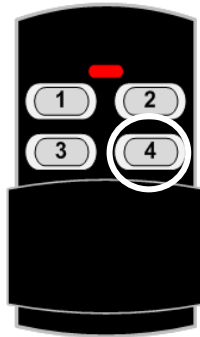
**S3**  
Controller running  
time learn button  
10sec-1.5min

Switch on Controller	Indicator
Switch on the Controller, press power switch to the left	LED DL1 is lit
Programming the running time	Indicator
Press S3 run time button	LED DL3 starts to flash after 3 sec.
Hold S3 for 1:30min (max running time)	LED DL3 flashed and stopped release key
(You can program time between 10s and 1:30min) release key	e.g press S3, LED start to flash, hold for 30s, Running time is 30s now

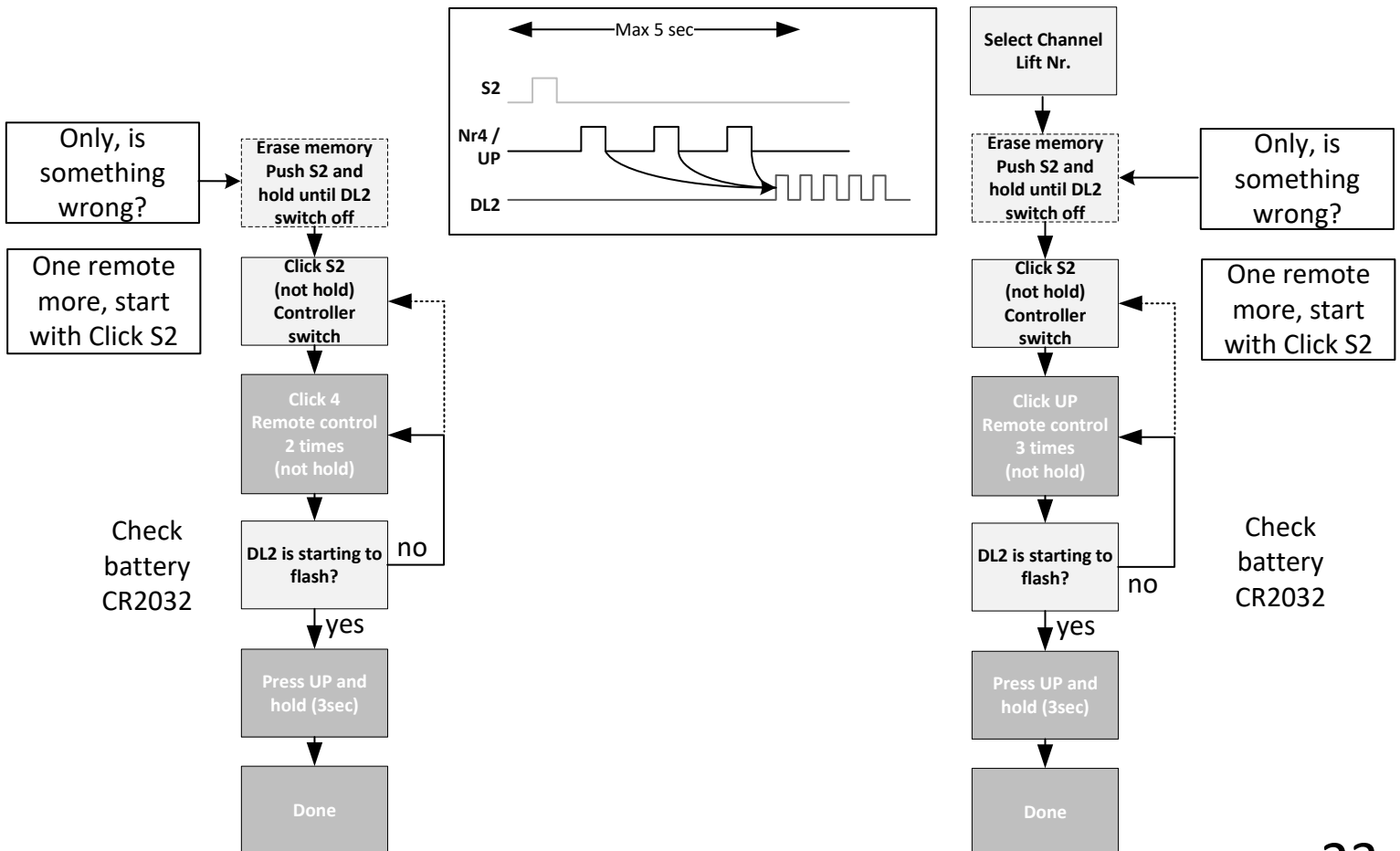
Problems	Check
After switch on, LED DL1 is not lit	Is the plug connected to the outlet? Is the Outlet on a switch (and turned off)? Check the outlet works with an appliance Check the wire connection. Disconnect the Controller from the outlet and check the fuses.



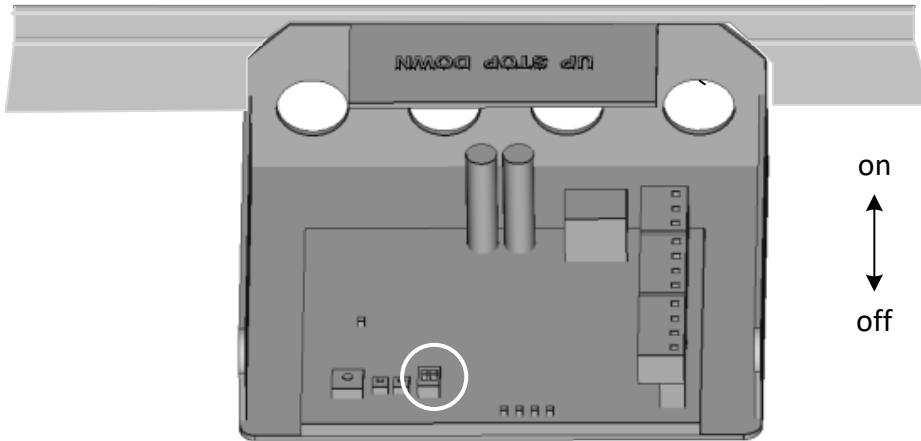
- 1 UP
- 2 Stop
- 3 Down
- 4 Learn



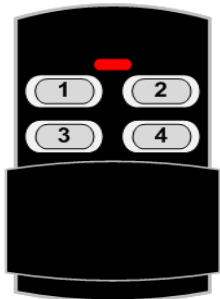
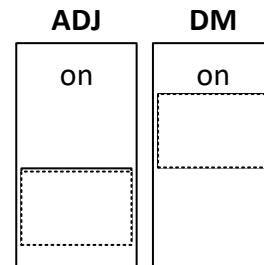
**One Channel Remotes are Pre-set**



# After the install, Please switch on the **DEADMAN** function



on  
↑  
↓  
off



- 1 **UP**
- 2 **Stop**
- 3 **Down**
- 4 **Learn**

## DEADMAN function is for your safety

You push the button 1 / ↑ (UP) or 3 / ↓ (DOWN) and hold it. The lift stopped immediately when you release the button on the remote control or the controller

You don't need to press the STOP button (2)  
It is not working?

Please switch DEADMAN off and back on.

Is something in the way or in the surrounding area?

The lift will stop immediately when you release the remote control button.

Please hold the button in direction Ceiling until both motors stop by themselves.

Automatic leveling of the platform.

During the motor adjustment is DEADMAN off

1 (UP), 3 (DOWN), 2 (STOP)

