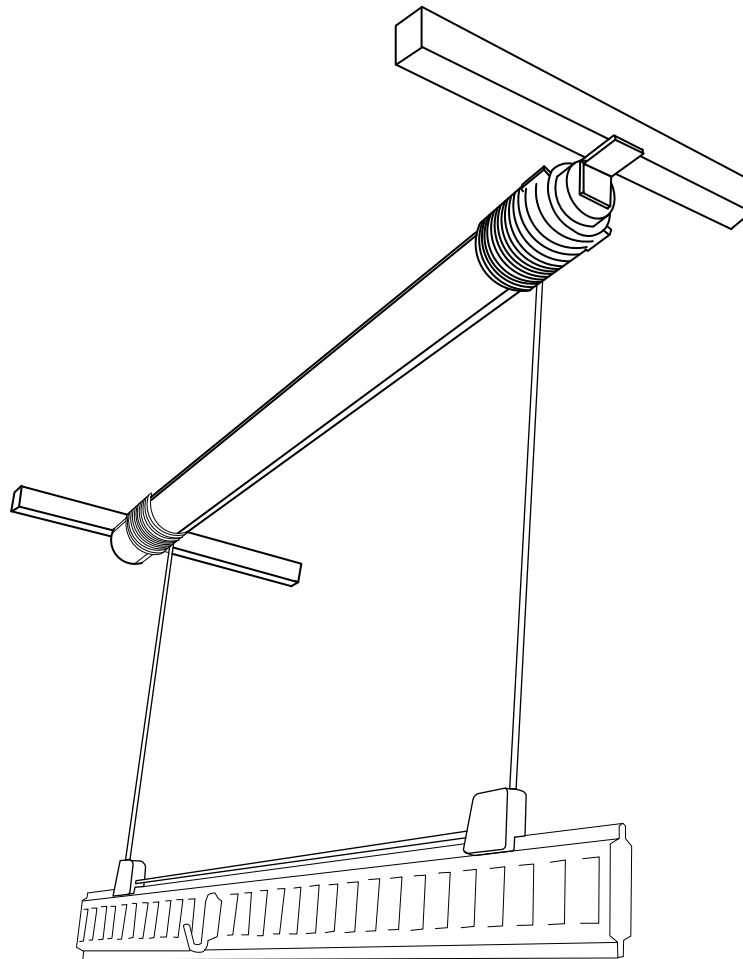
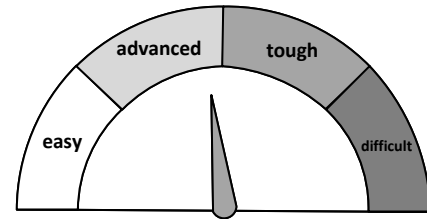


AUXXLIFT One



Before YOU start

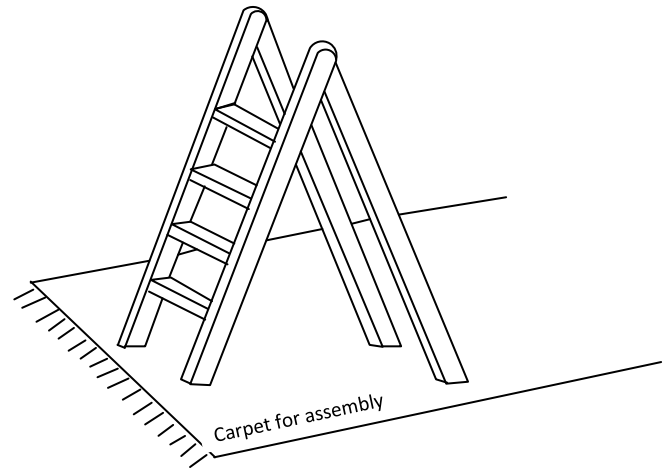
1. Have you read through the instructions?
2. Do you have all the recommended tools?
3. Do you have somebody assisting you?
4. Have you allocated enough time?



For a professional it takes about 3 hours to install.

What is most important is to follow the instructions and read everything carefully before you start.

5. You need a good, stable ladder.
6. Don't use an impact driver.
7. Clean the area before you start.
8. Wear safety glasses!
9. Keep work area clear!



Check measurements during construction.

Make sure that nothing is in the way e.g. windows, doors etc.

10. Does your garage ceiling have or has had termites?
11. Are the joists strong and big enough? (2" x 4" at least)
12. Mounting to a concrete ceiling requires anchors!
13. Has your home been built according to valid standards and guidelines?
14. If you have doubts about the ceiling construction, please ask a specialist!

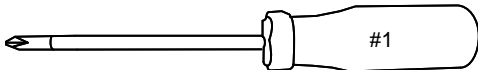
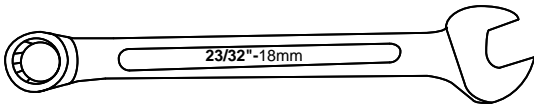
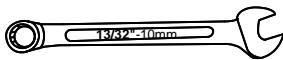
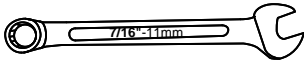
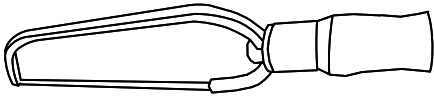
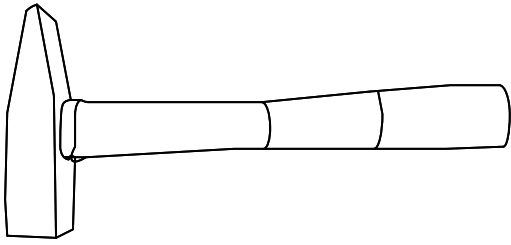
If you have any problems understanding the instructions or you feel uncomfortable handling the installation, please ask a handyman or work with a contractor. Call/write us if you need help or have concerns or questions.



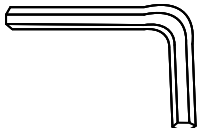
www.auxx-lift.com/installation-help

Help phone: PST 10 am -3 pm 1 805 862 8271

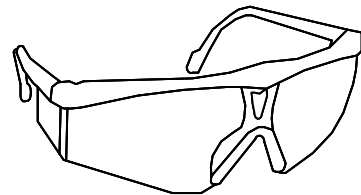
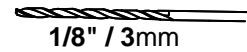
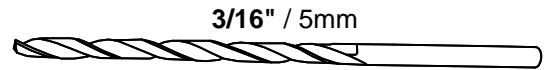
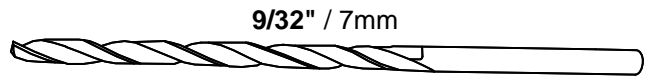
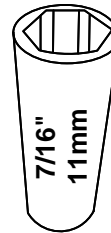
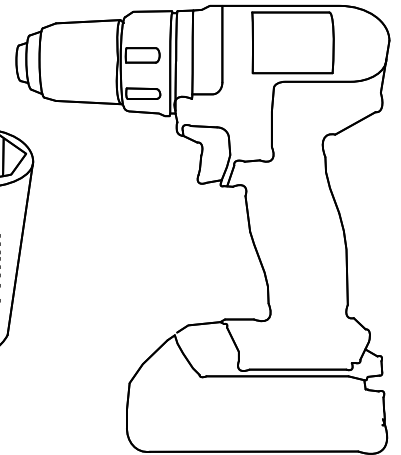
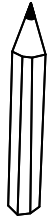
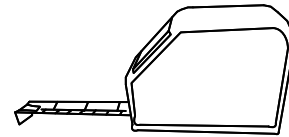
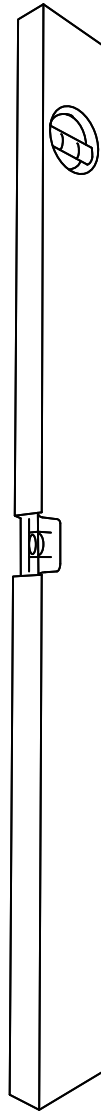
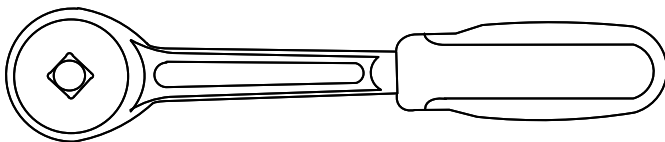
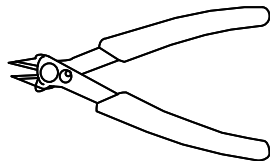
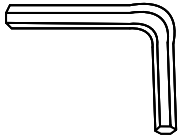
RECOMMENDED TOOLS



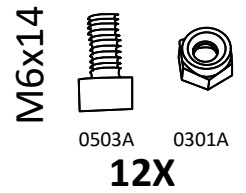
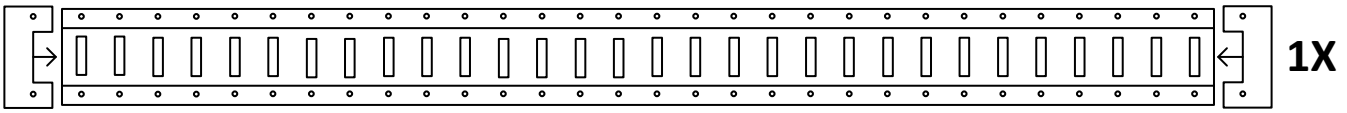
3/16" / 5mm



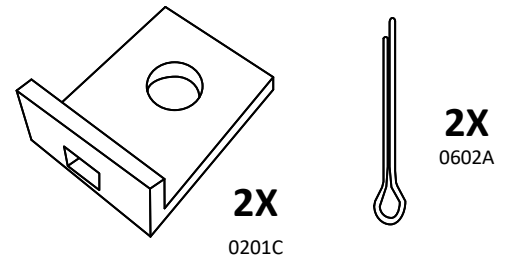
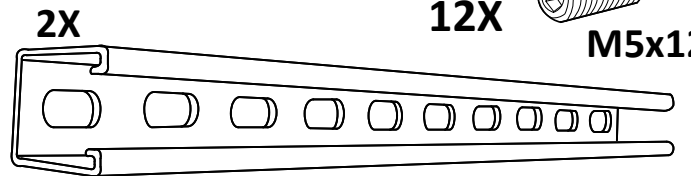
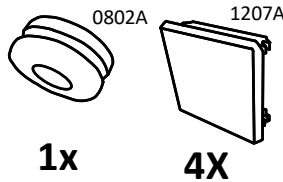
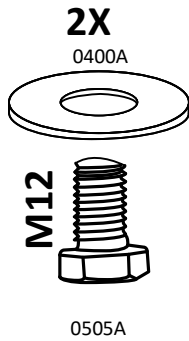
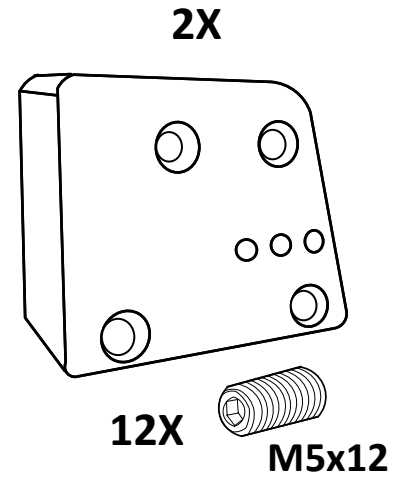
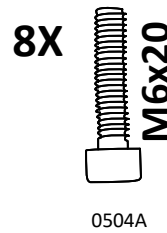
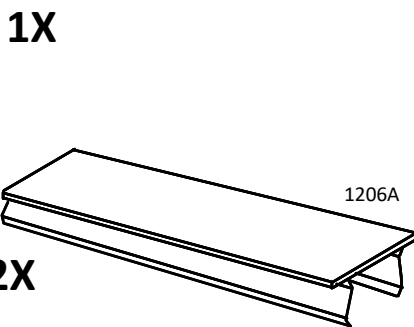
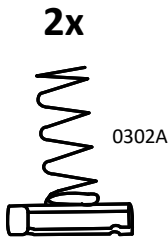
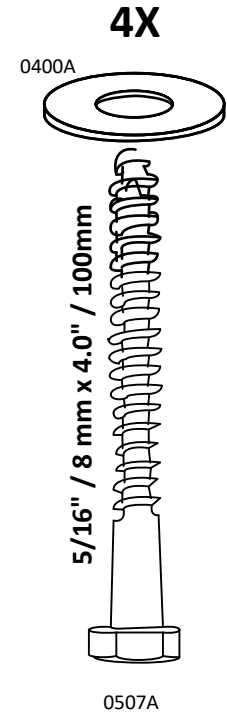
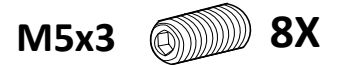
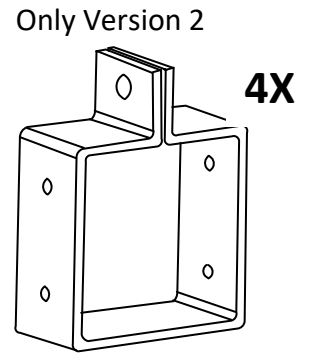
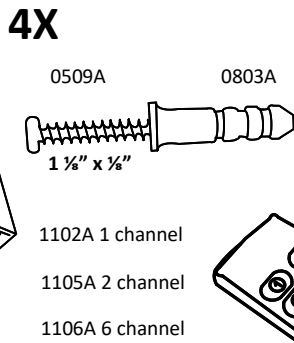
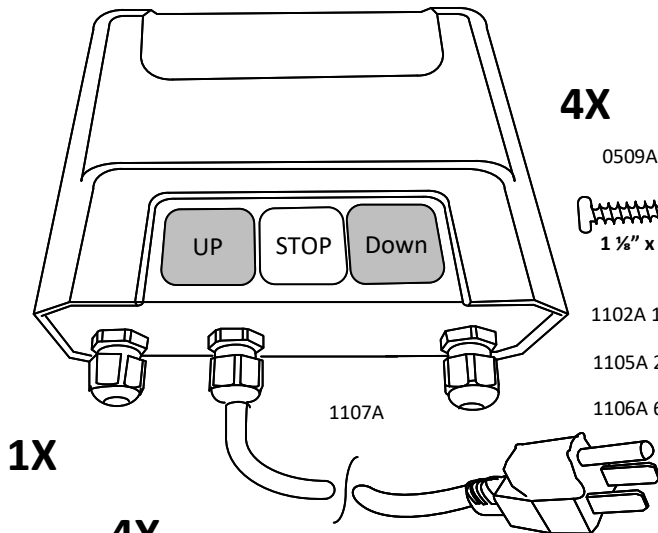
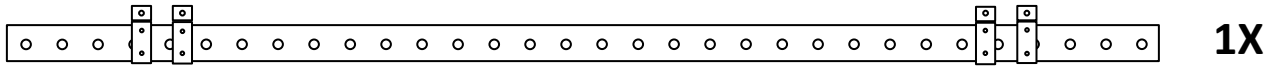
3/32" / 2.5mm



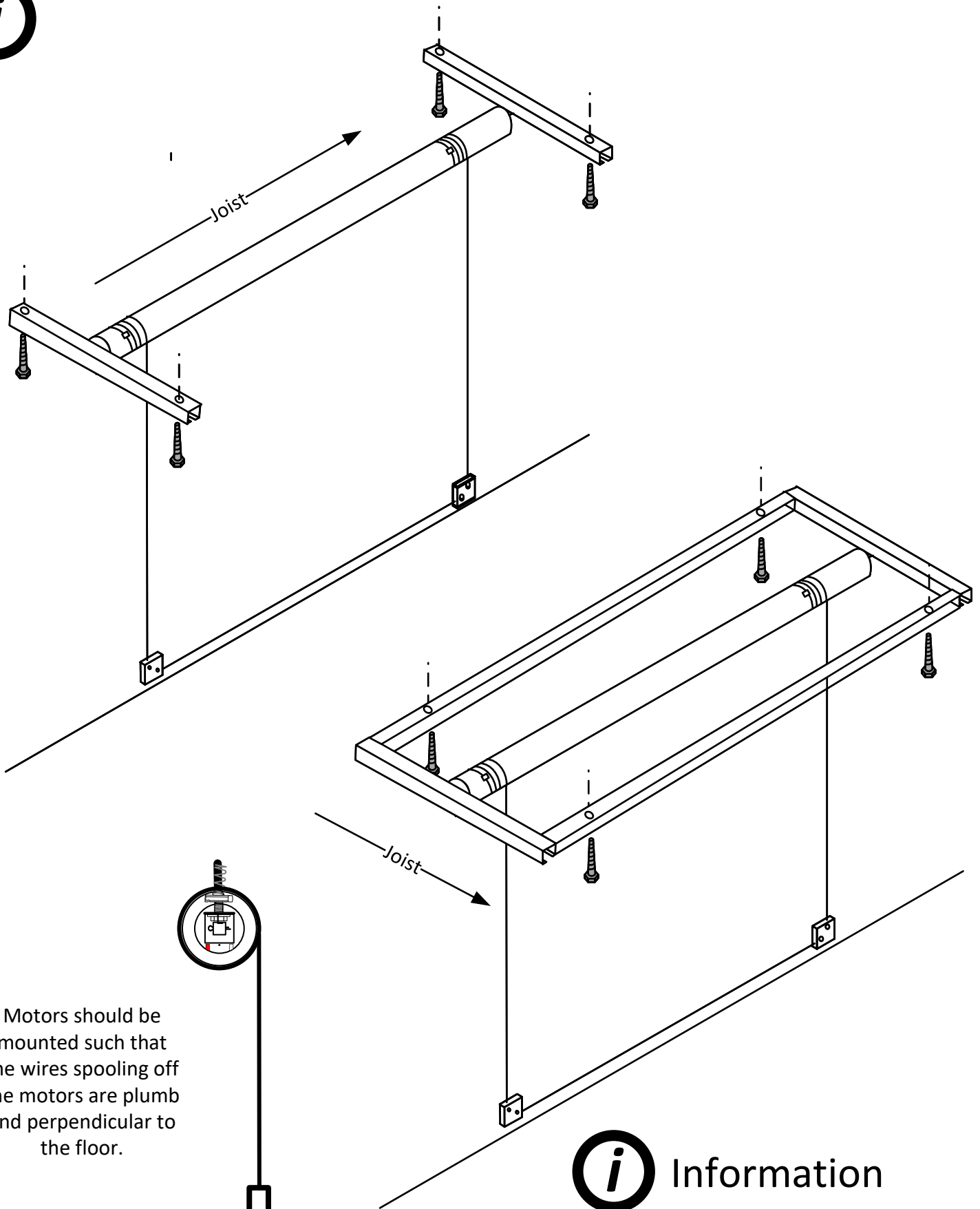
Version 1



Version 2



2001A



Motors should be mounted such that the wires spooling off the motors are plumb and perpendicular to the floor.



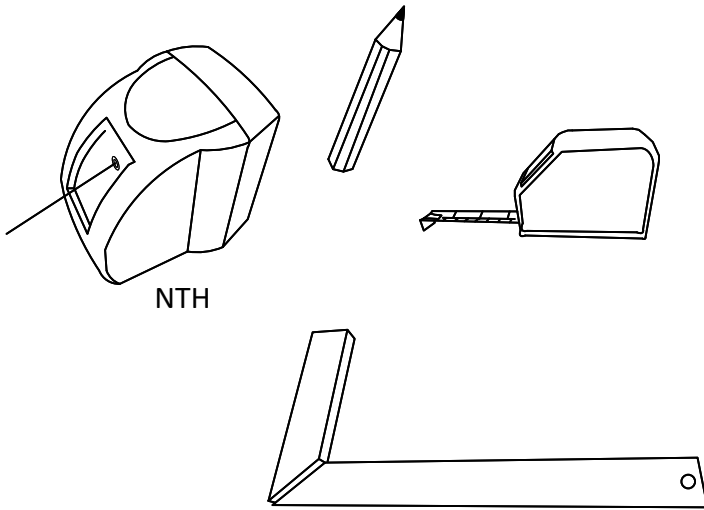
Information



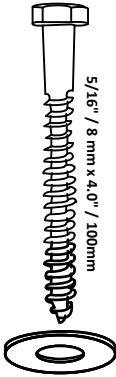
Troubleshooting

1

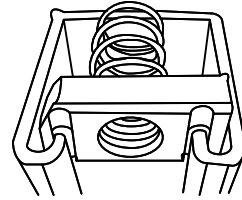
Strut Channels



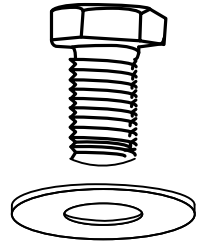
1x



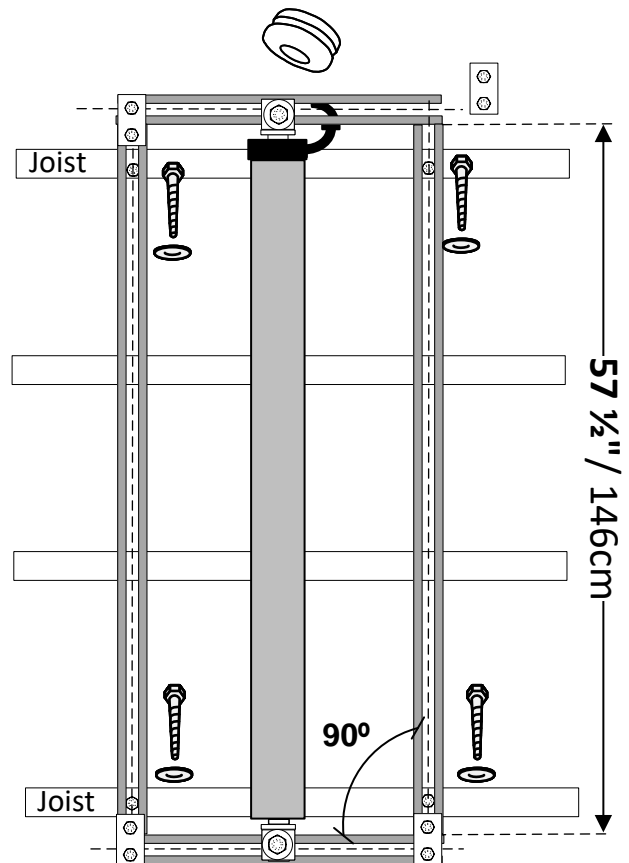
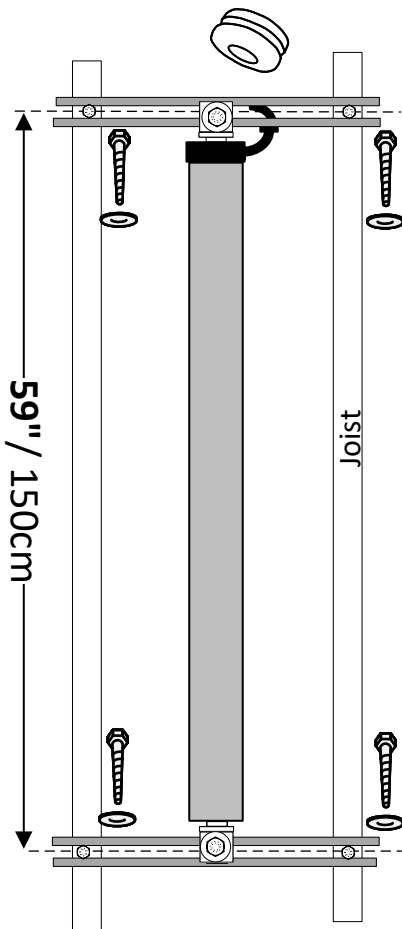
4x



2x



2x

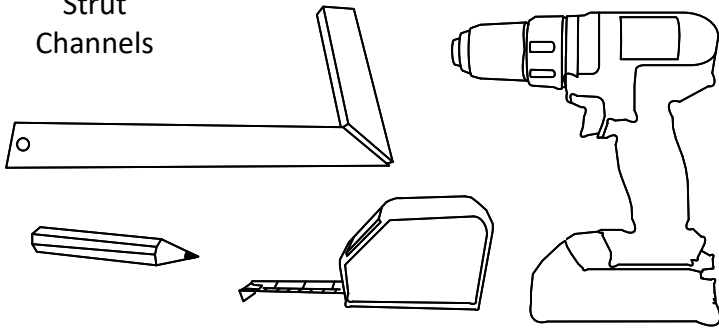


Extra material for this configuration is not included.
You will find the below materials at any big-box hardware store or order it from us (contact us).

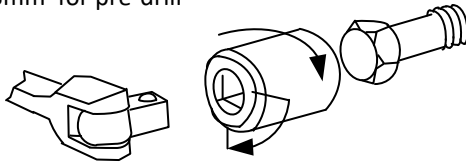
- 2x Strut Channel 57.5" or 146cm
- 8x Strut Spring Nuts 1/2" or M12
- 8x Strut Screws Hex-Head 1/2" or M12
- 4x Strut Brackets
- 2x Strut cover 57.5" or 146cm

2

Strut Channels

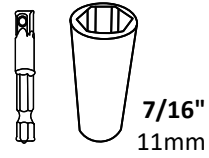


1/8" 3mm for pre-drill

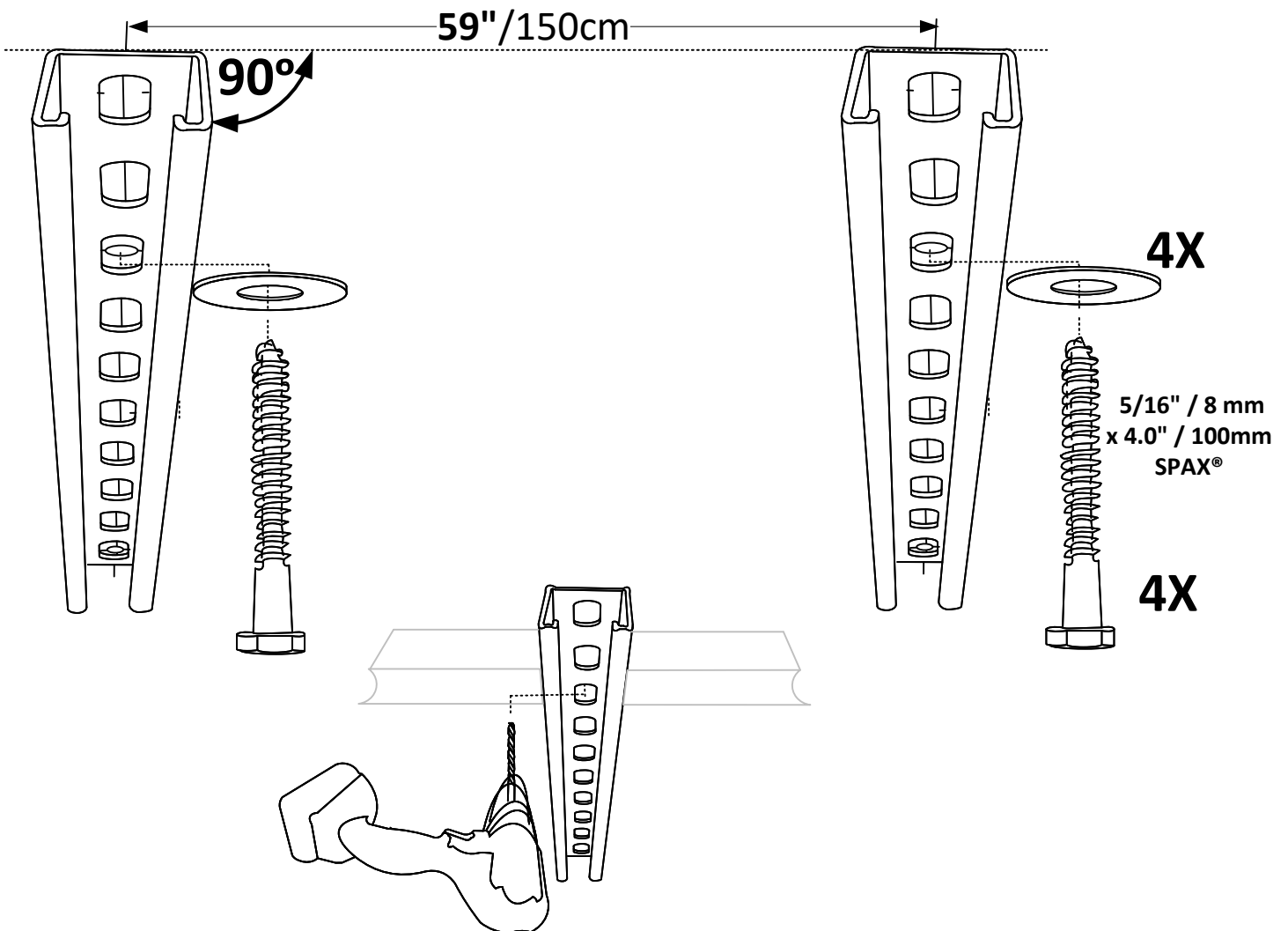


10° = (200 pound/
inch = 20Nm)

Warning!
DO NOT use an Impact Driver
to tighten the Lag screws!



Tighten screw until the washer no
longer rotates. Then tighten screw
another 10° in same direction.

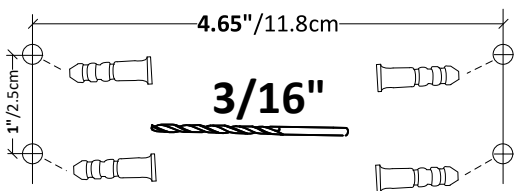
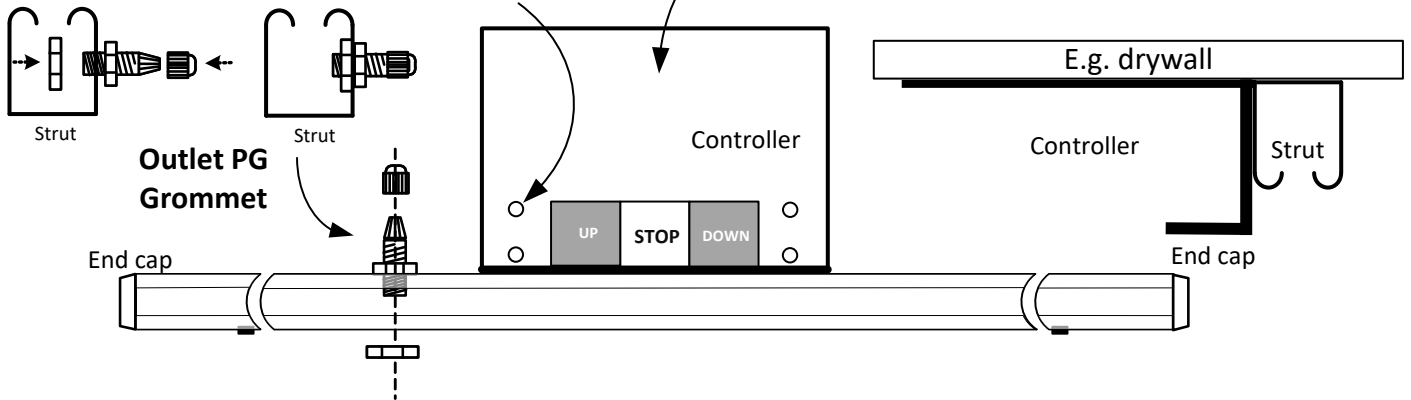
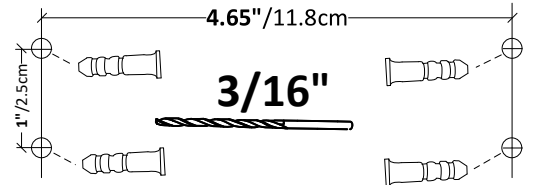
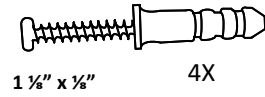
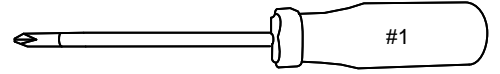


3

Controller

CONTROLLER MOUNTING OPTIONS

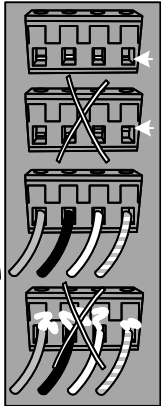
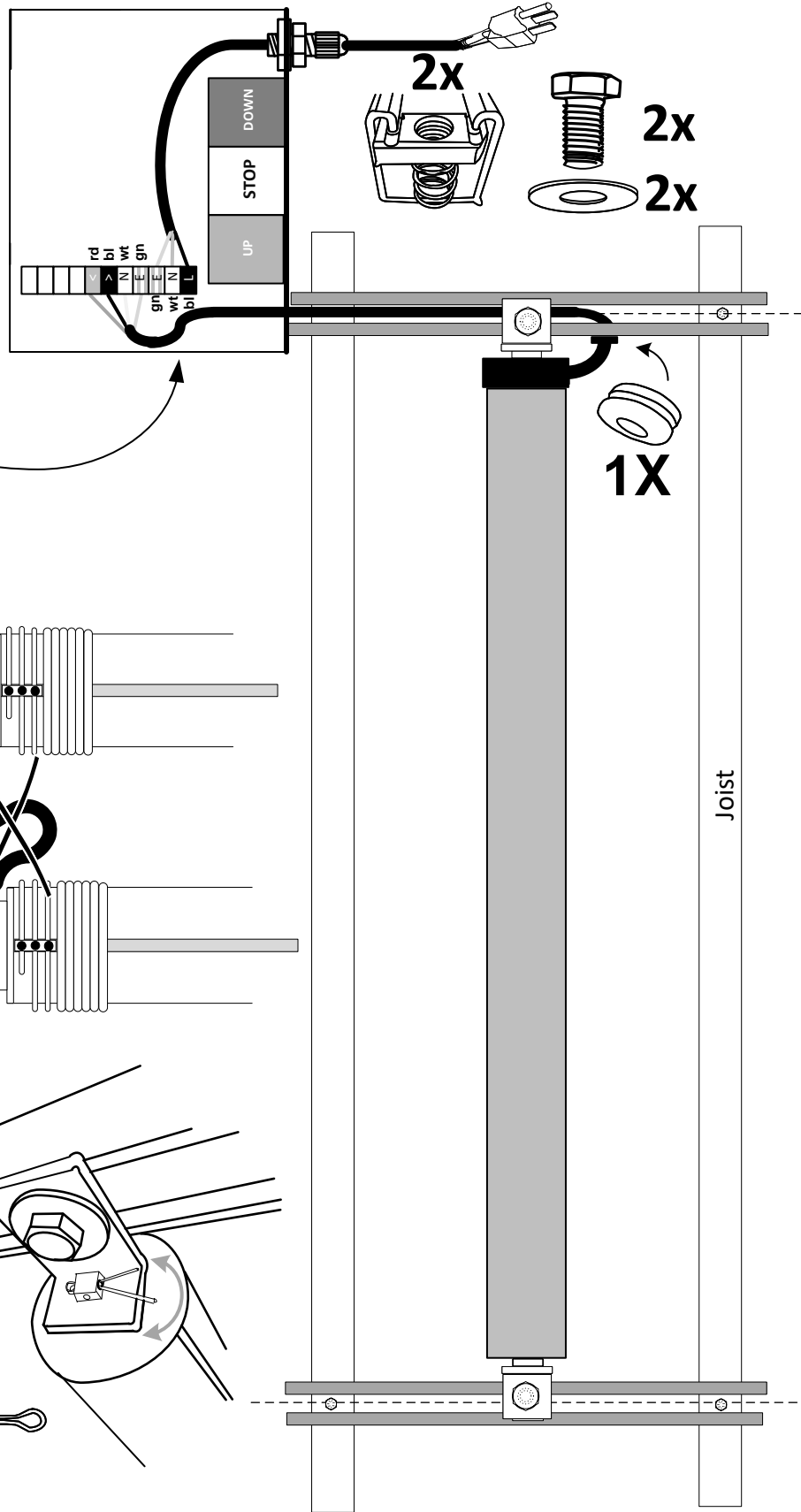
If Drywall/Concrete Ceiling:



4

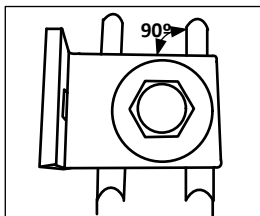
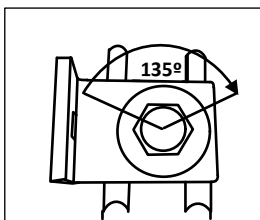
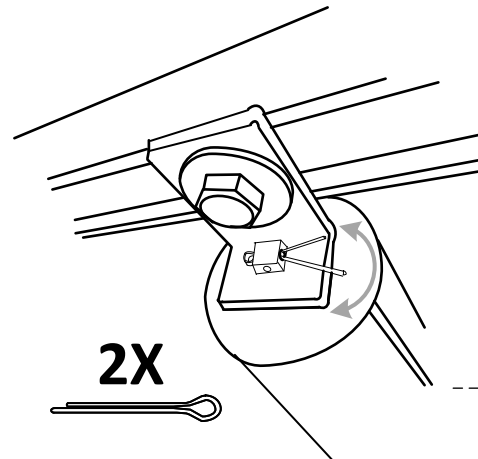
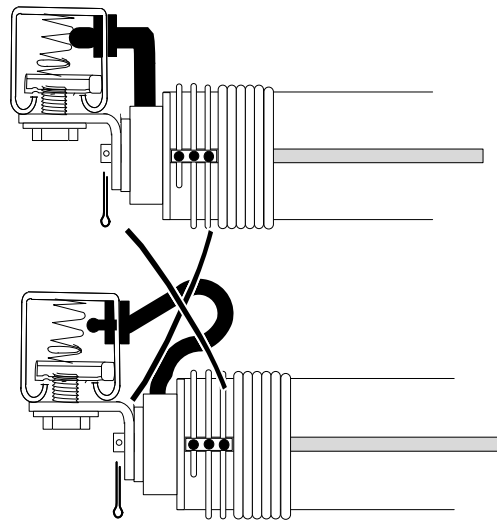
Wiring

RED	rd	<	Down
BLACK	bl	>	UP
WHITE	wt	N	Neutral
GREEN	gn	E	Earth
GREEN	gn	E	Earth
WHITE	wt	N	Neutral
BLACK	bl	L	Hot

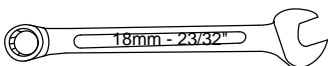


Before connecting to the outlet, make sure that all wires are tightly connected

Wires are connected by tightening binding screws on the top of the green motor connector blocks



Tighten screw until the washer no longer rotates. Then tighten screw another 135° in the same direction.

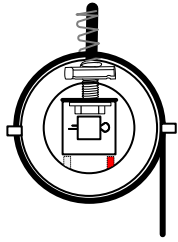
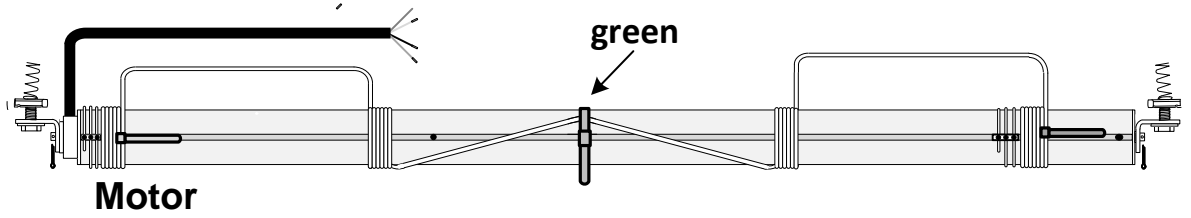


Note the use of grommets and the wire path into the strut

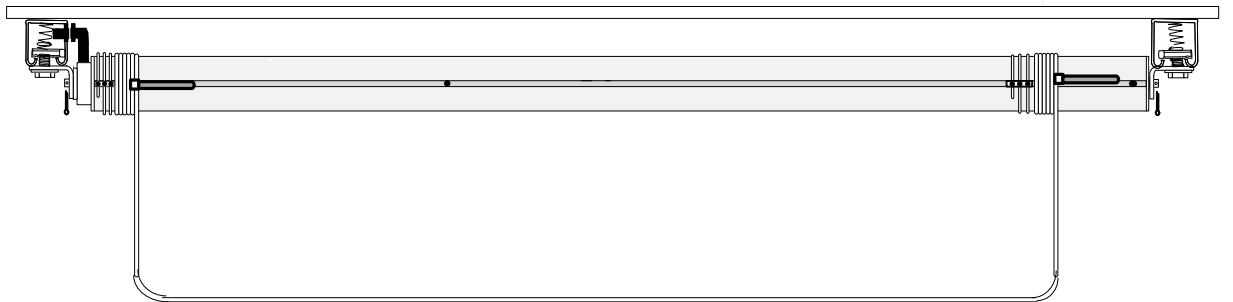
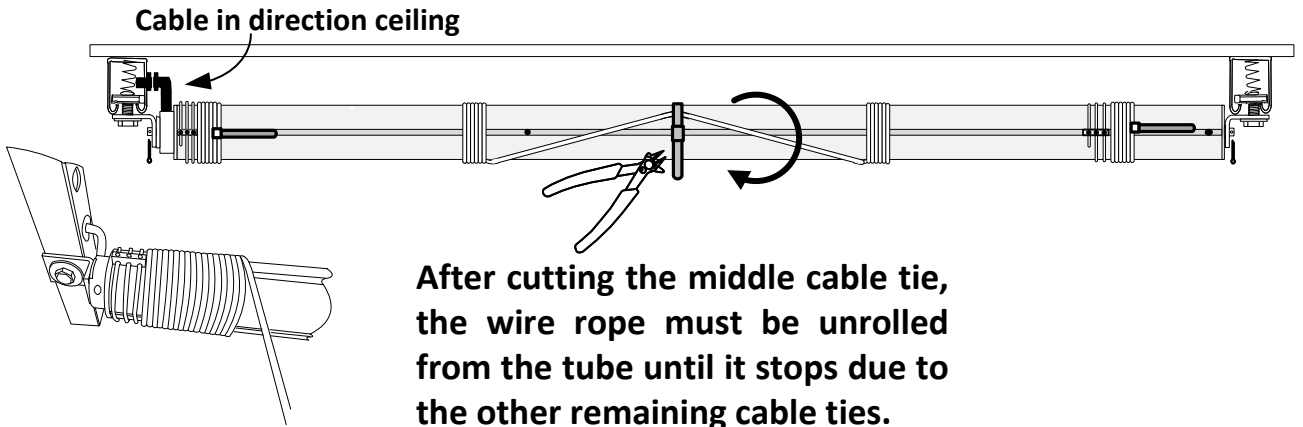
	WARNING
	Use Grommets on wire paths into struts to avoid damage and shocks.

5

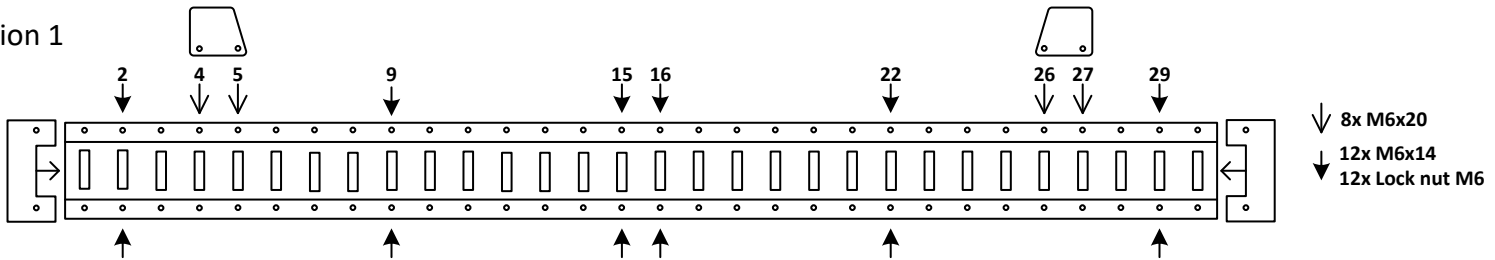
Rope
unwind



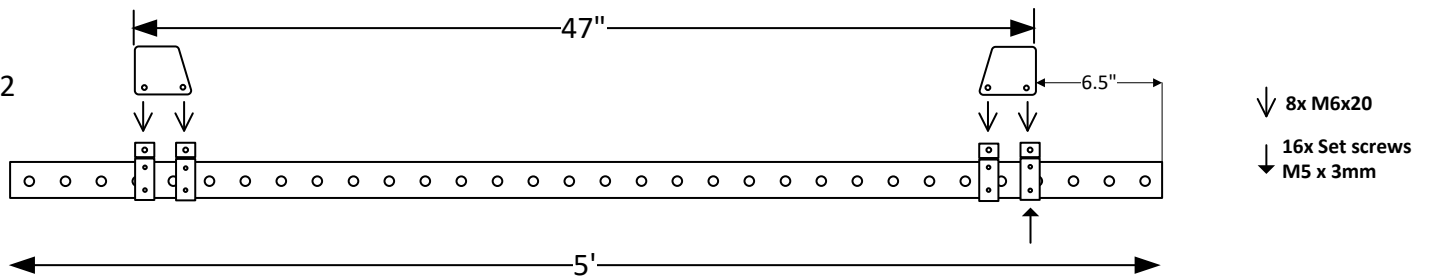
The black cables that come out of the motors needs to come straight down towards floor.



Version 1

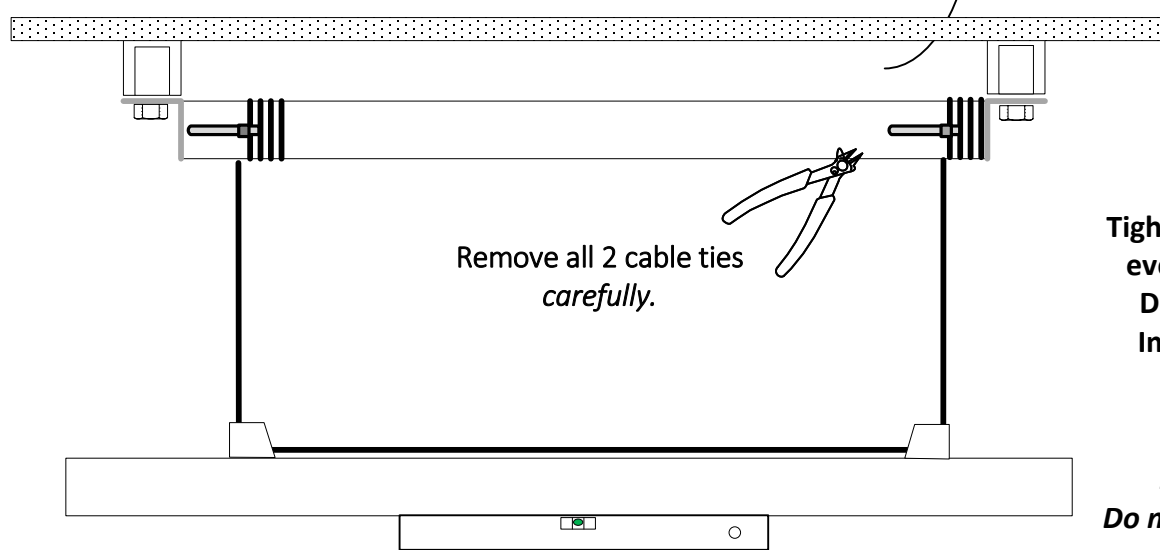
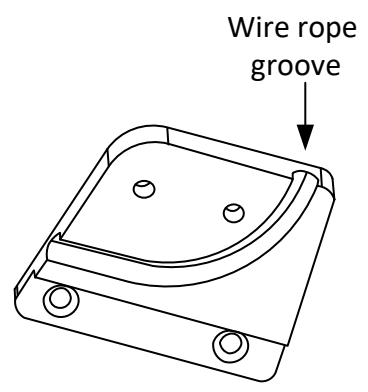
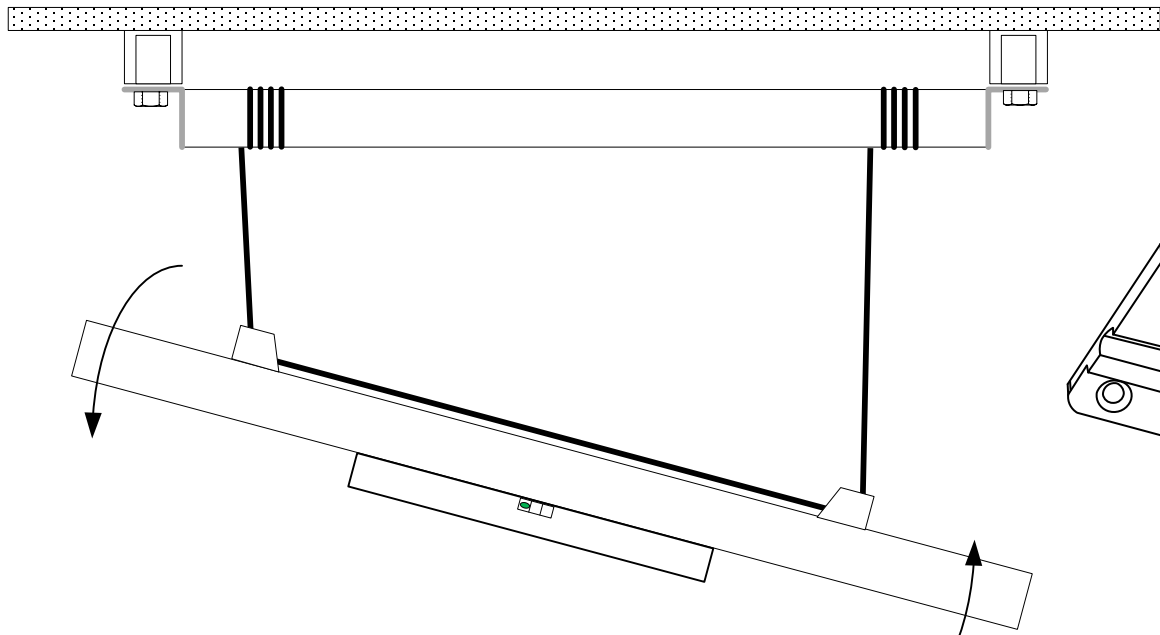
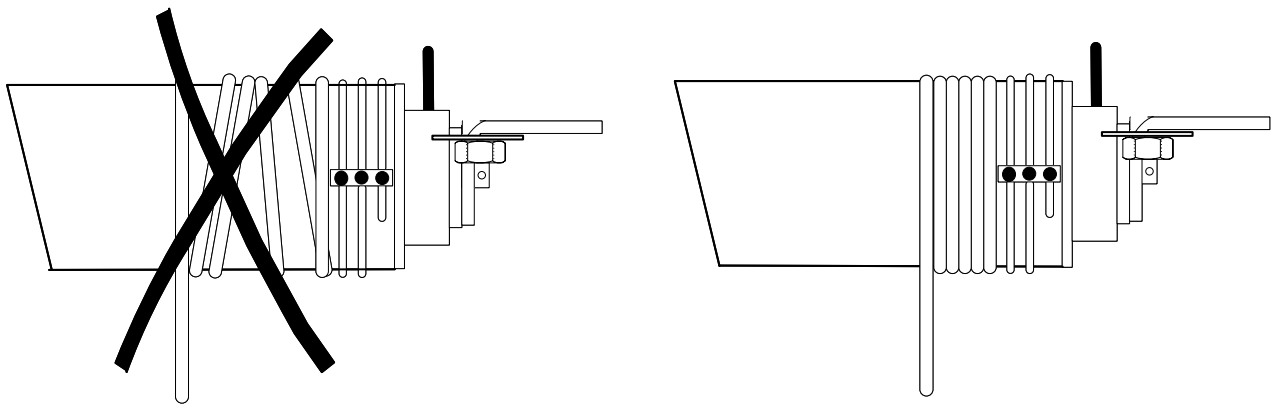


Version 2



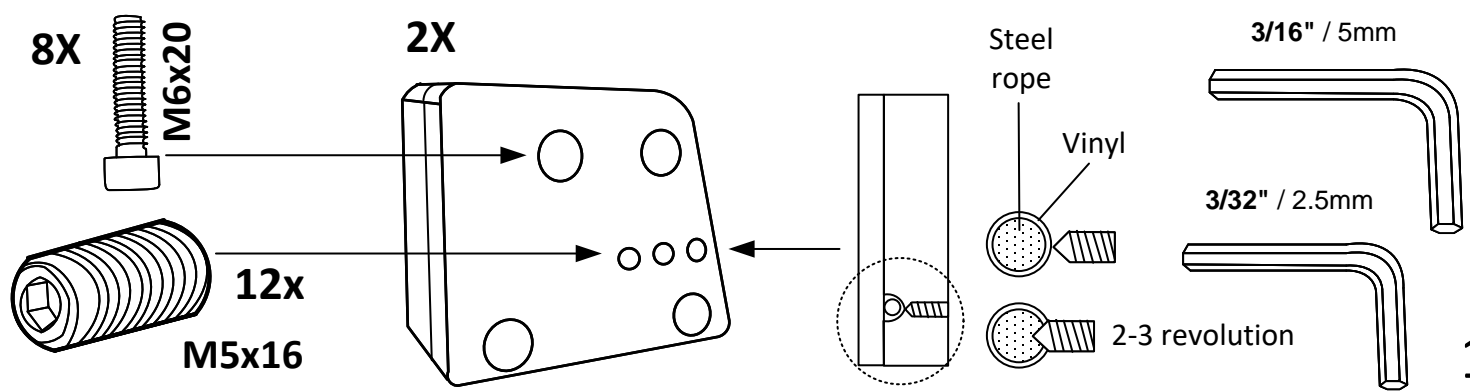
6

Beam adjustment



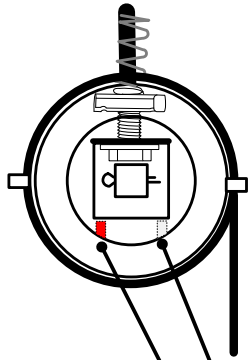
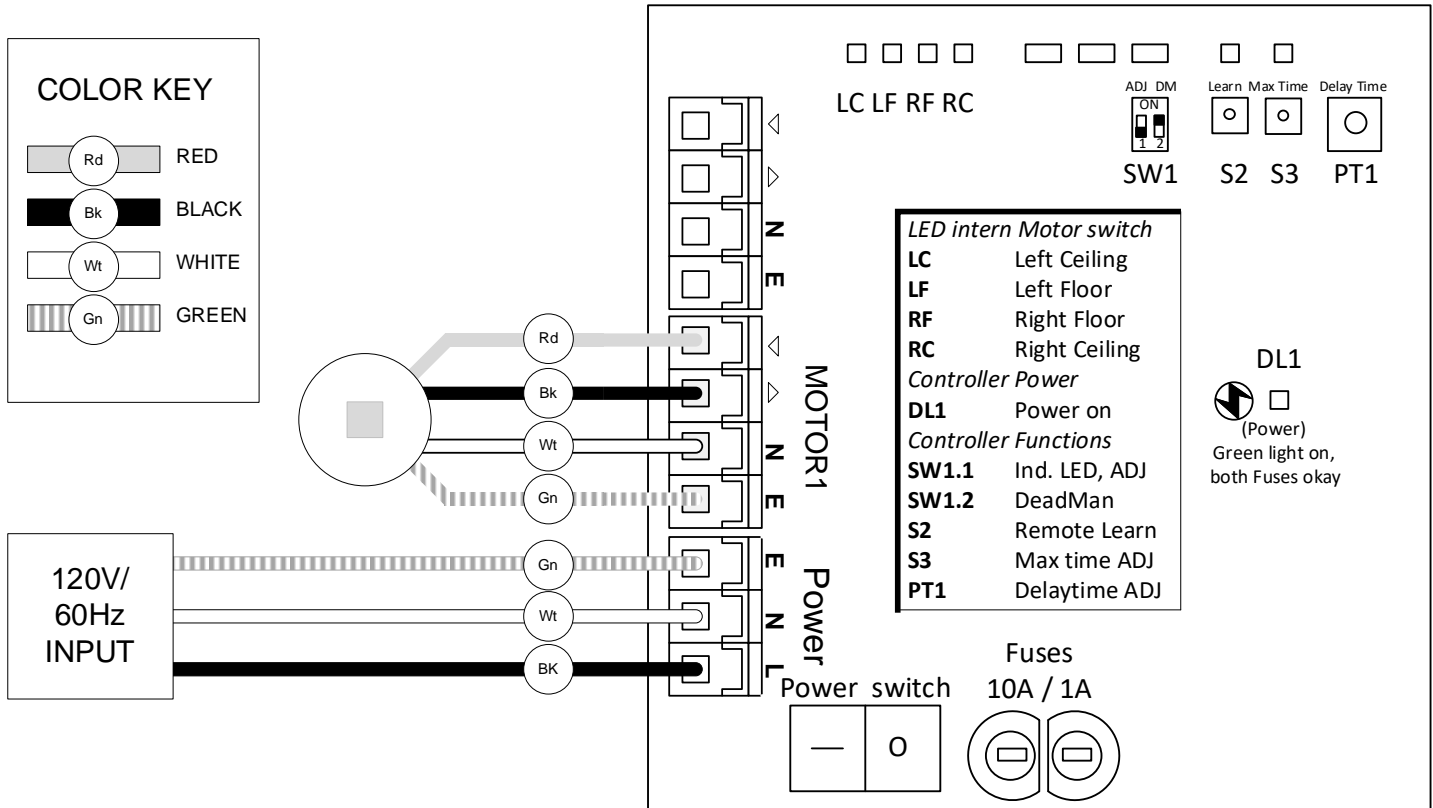
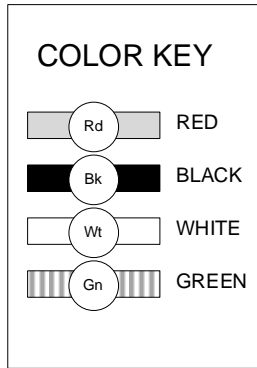
Tighten the screws evenly by hand. Do not use an Impact driver.

Set screws Do not tighten yet!





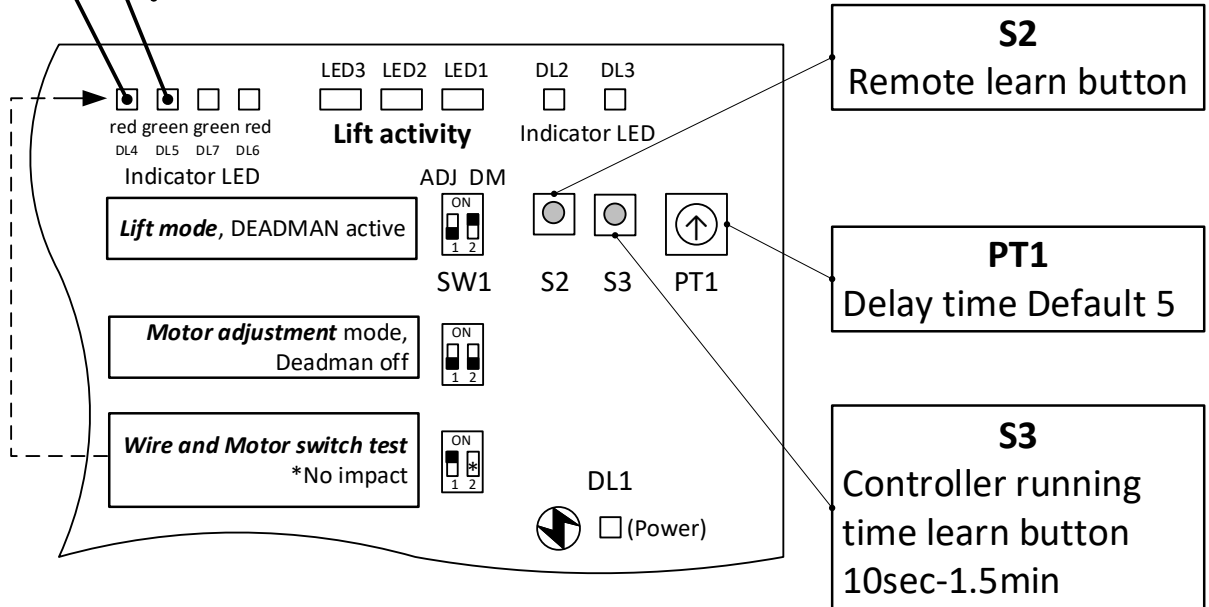
Overview Controller



IMPORTANT MOTOR ARRANGEMENT

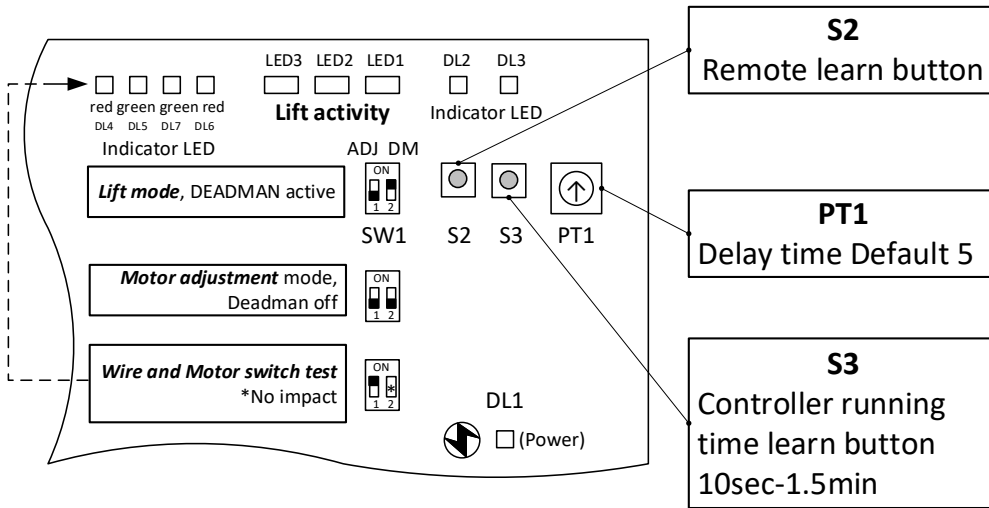
If you change something the manual doesn't fit anymore!

Lift doesn't work in this mode, only control and pre adjustment!





Motor Adjustment (leveling), Preparation

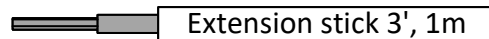
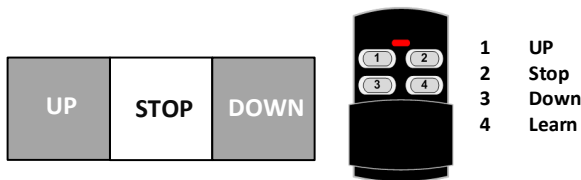


DeadMan off- press key (up/down) once and the lift runs. Press STOP 2 This function for adjustment only!

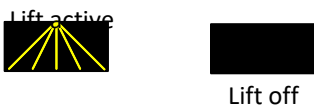
**Do not use PT1
S2 and S3 for
adjustment!**

Most important! All switches work the same way, even though their labeling is different. Before you start to turn the stop (motor limit) switches, please be sure that you are turning them in the right direction!

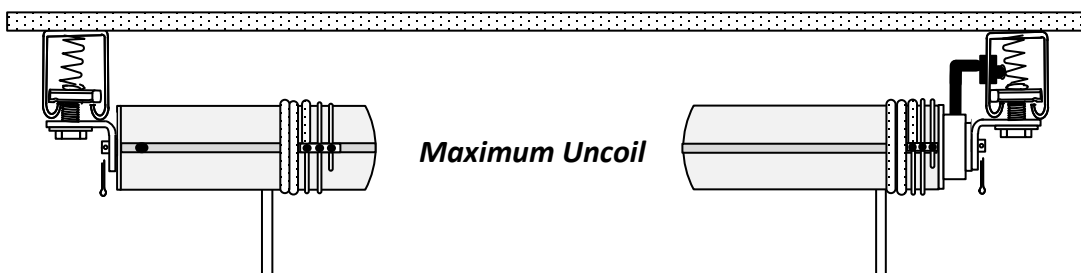
Controller Keys



With an extension stick you can easy adjust the motors from the floor!



!Max running Time 1.5min





Motor Adjustment (leveling), Preparation

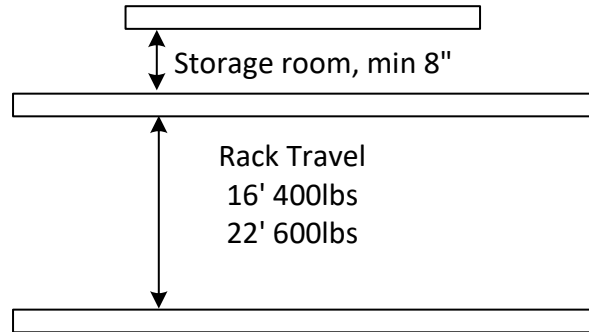
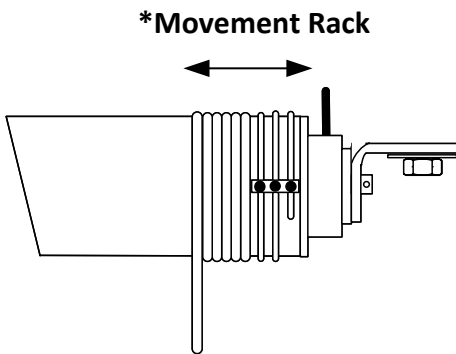
Technical information for 400 lbs lift

Max travel is	15.4 feet/ 4.70m & storage
1 tube rotation	12 turns on the stop switches
1 tube rotation	9" / 22cm
1 turn on stop switch	3/4" / 2cm
Smallest movement	1/16" / 1mm
Movement Rack 14'*	4"/10cm
Switch turns	250
Travel speed	8'/min

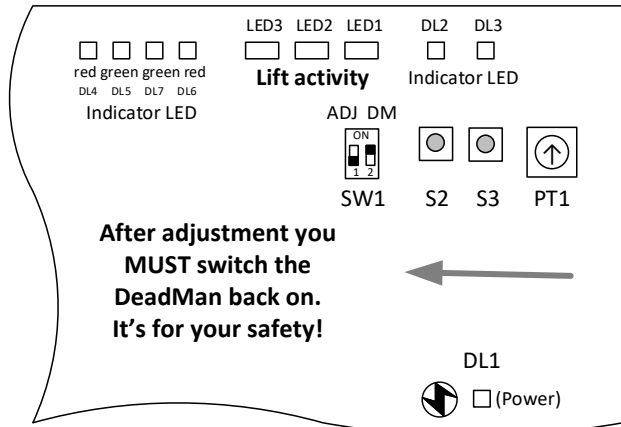
Technical information for 600 lbs lift

Max travel is	21.8 feet/ 6.40m & storage
1 tube rotation	12 turns on the stop switches
1 tube rotation	11" / 28cm
1 turn on stop switch	1" / 2.5cm
Smallest movement	1/16" / 1mm
Movement Rack 14'*	4"/10cm
Switch turns	300
Travel speed	10'/min

Only turn the switches by hand with the tool provided
Stop turning immediately if you feel a mechanical click in the
switch when turning.



Adjustment is only possible with the **DeadMan switch OFF**, and after a motor limit has been reached or lift is stopped manually (white LED lights on controller are lit and stay on).



DeadMan Function: You use only the UP and DOWN buttons. You have to hold the button to make the lift move. When you release the button the equipment will stop immediately. If a key gets jammed you can stop the equipment with the stop button.

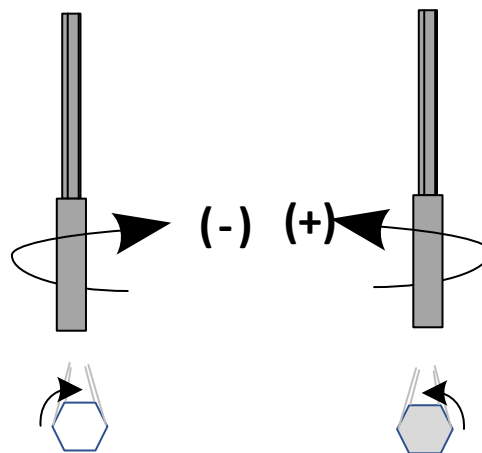
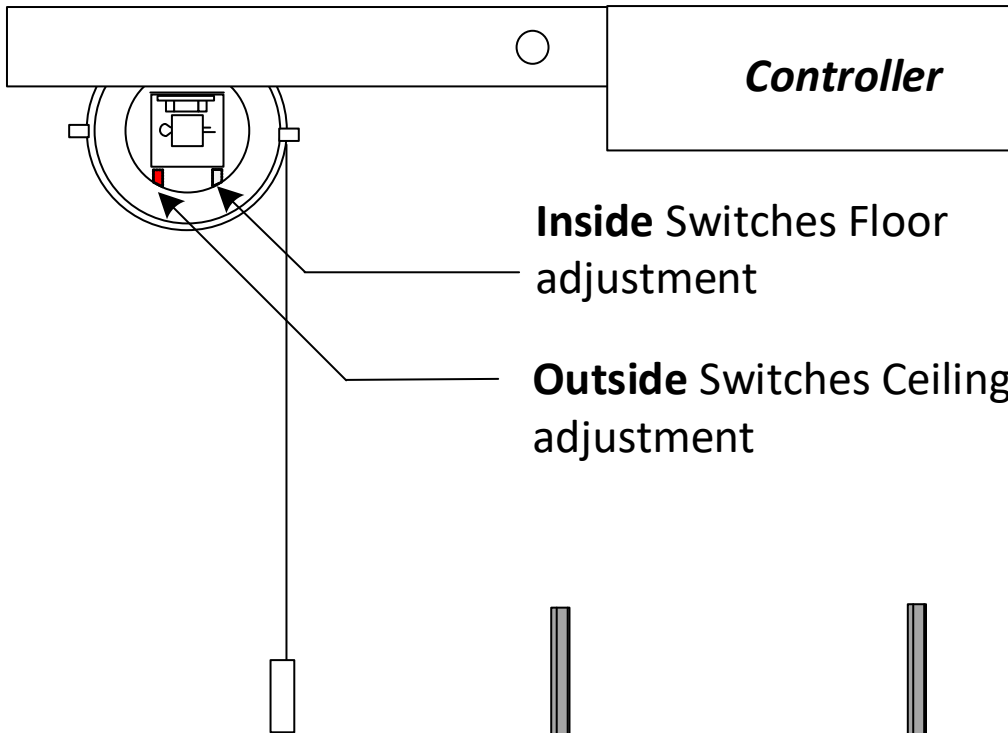
7

Adjustment hints

Prepare Adjustment

One Motor lift

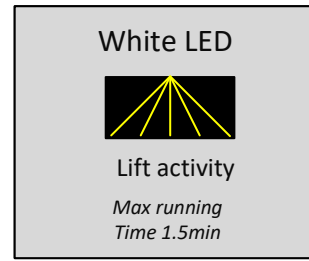
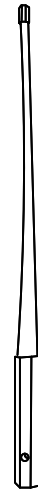
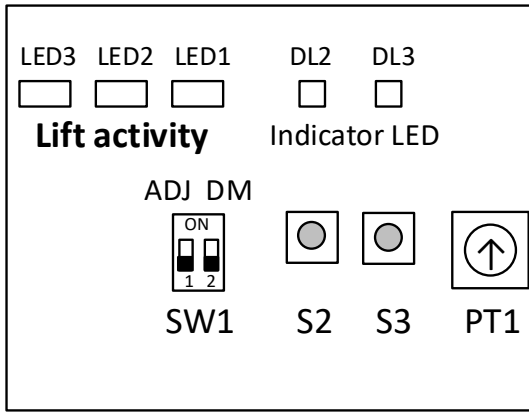
Left
Motor



Rigthy tighty

Lefty loosey

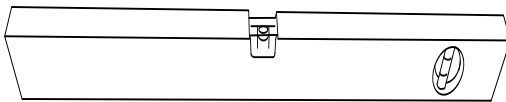
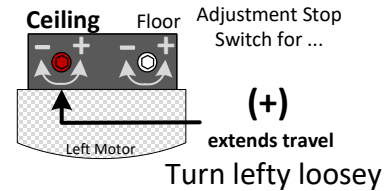
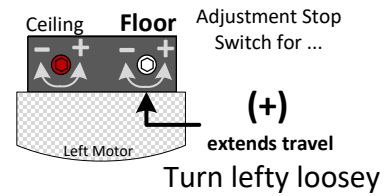
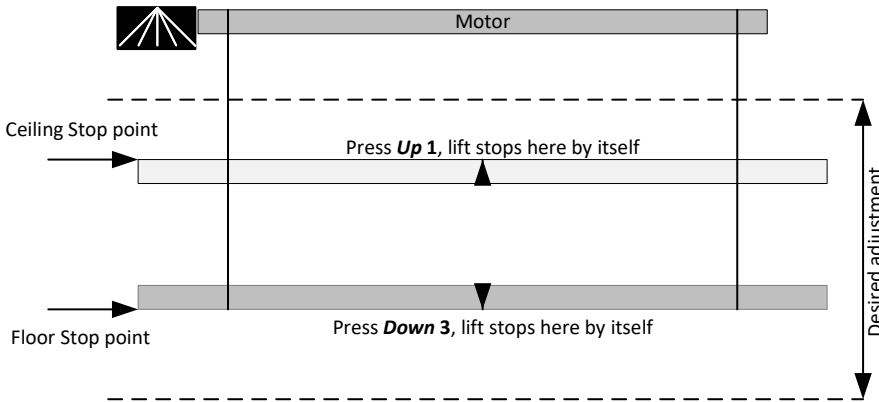
8 Level Adjustment



Overheated? Not running just clicking?
 Motors were running more than 4min?
 Allow motors to cool for 20min



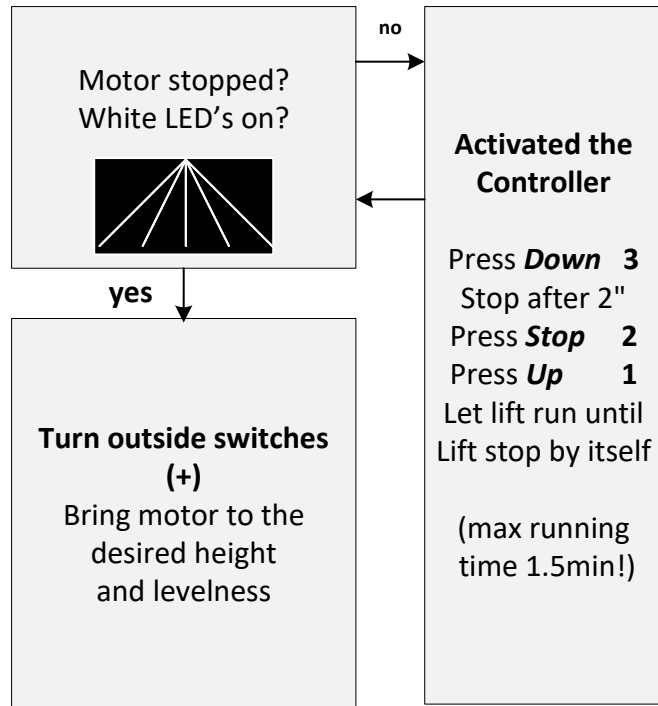
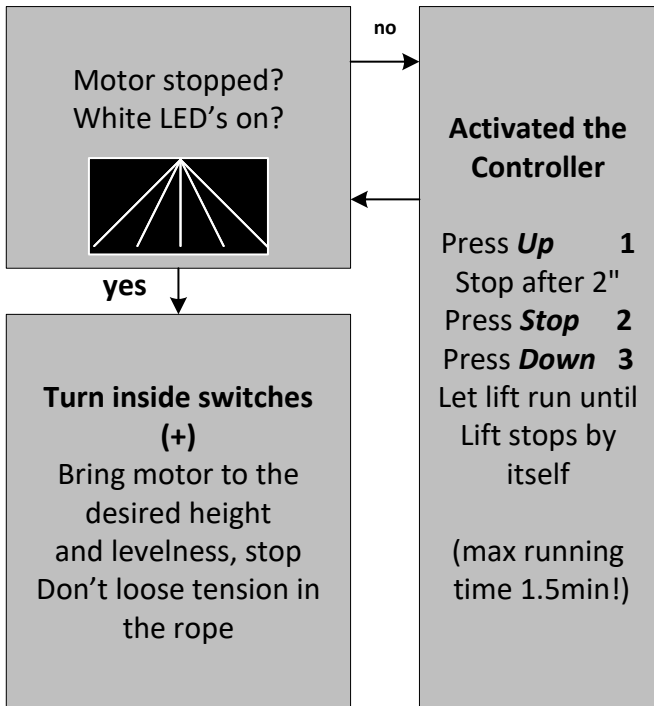
- 1 UP
- 2 Stop
- 3 Down
- 4 Learn



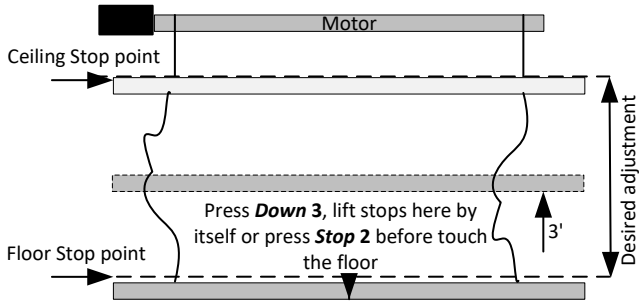
Put a level on the 5" beam and control the levelness of the beam

Floor Adjustment

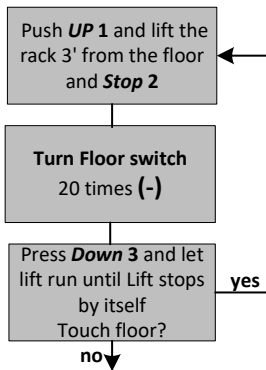
Ceiling Adjustment



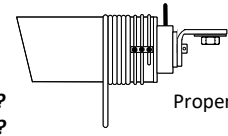
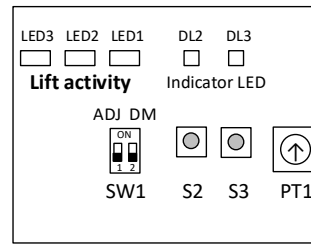
9 Level Adjustment



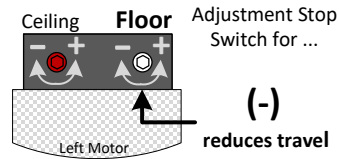
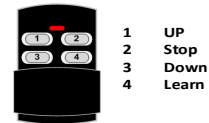
Floor Adjustment Preparation (too low)



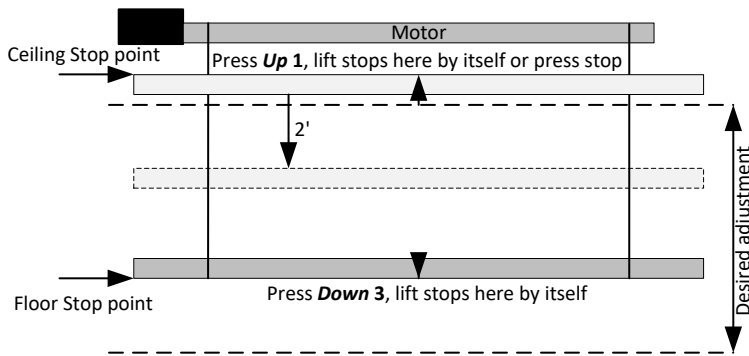
Floor Adjustment (Page 25)



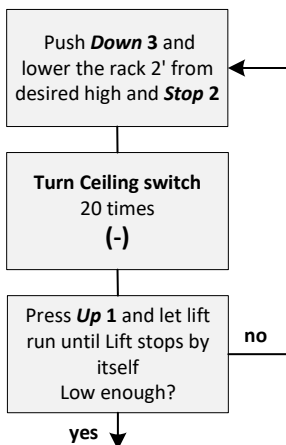
Overheated? No running only clicking?
Motors were running more than 4min?
Allow motors to cool for 20min



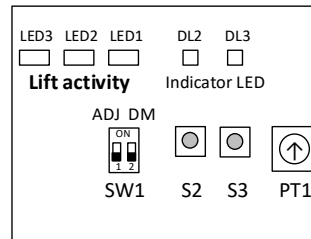
Turn righty tighty



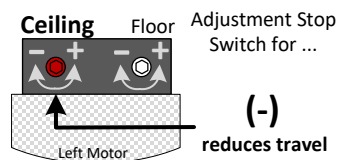
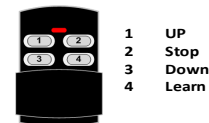
Ceiling Adjustment Preparation (too high)



Ceiling Adjustment (Page 25)



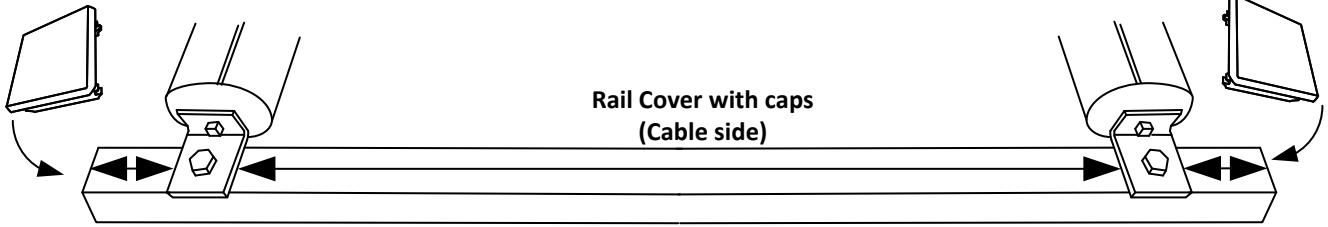
Overheated? No running only clicking?
Motors were running more than 4min?
Allow motors to cool for 20min



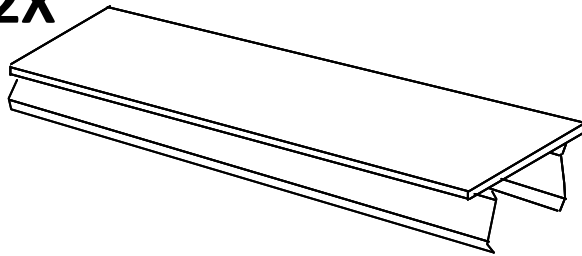
Turn righty tighty

10

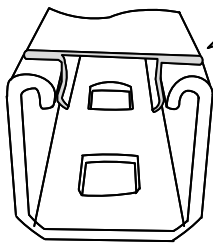
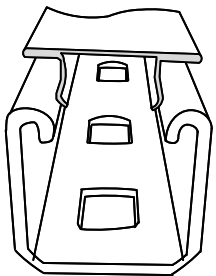
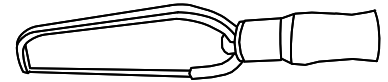
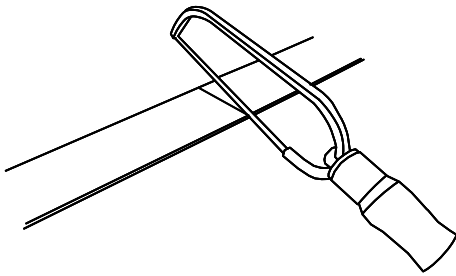
Strut
cover



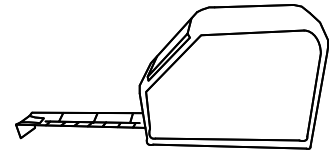
2X



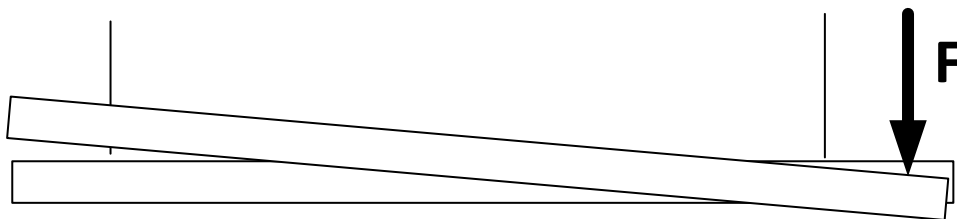
5'/150cm



Click



!



Load evenly!

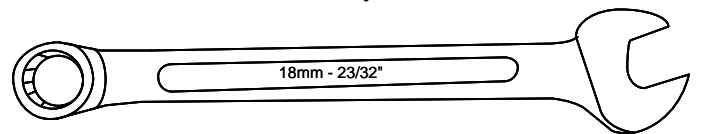
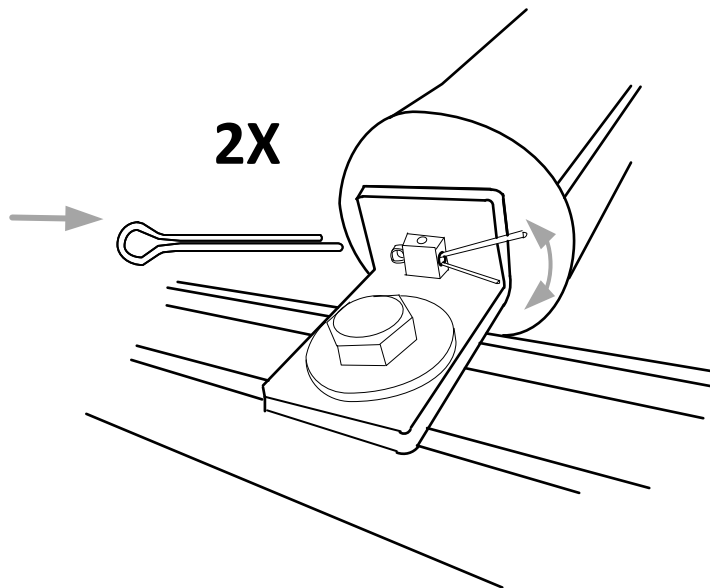
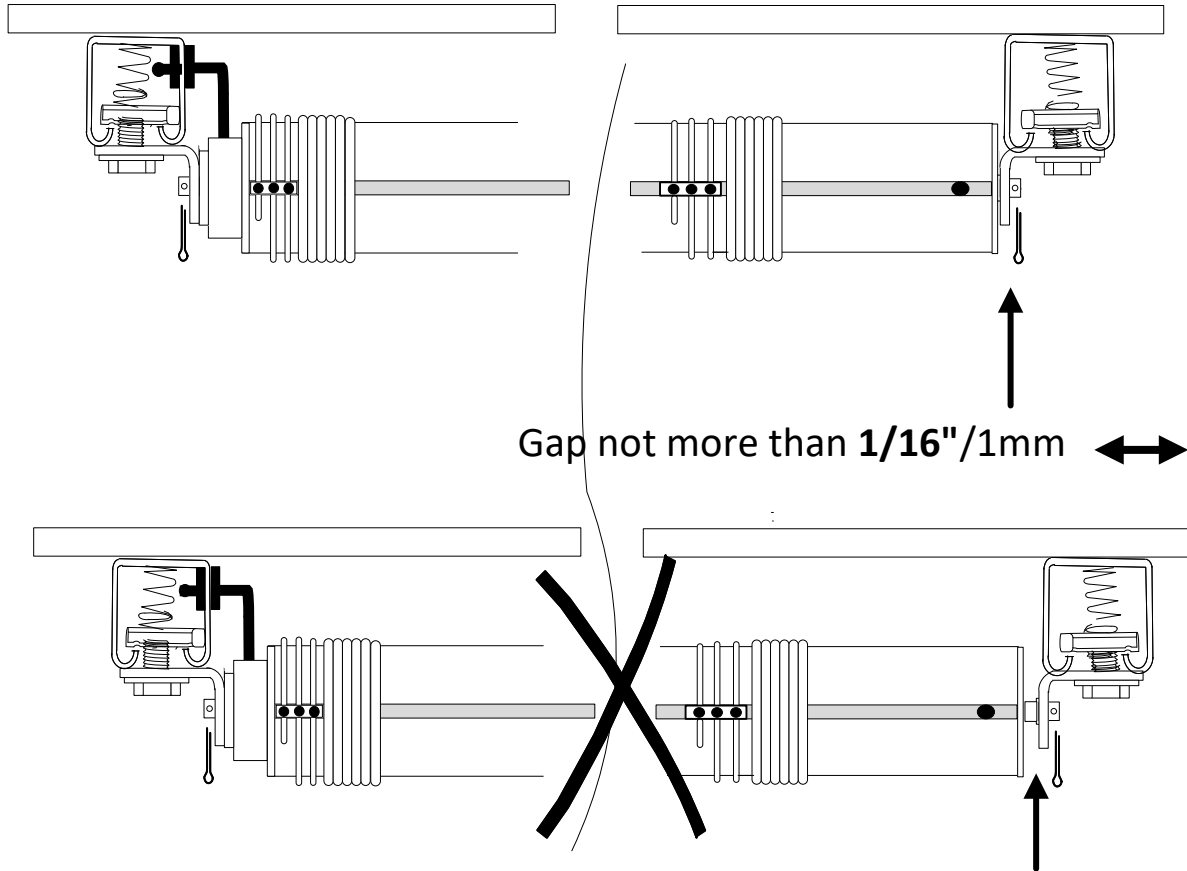
If you are done with the adjustment, please switch the DeadMan function back on

Important! The Lift has to run to the ceiling end points (stopped automatically) in order to be leveled properly.

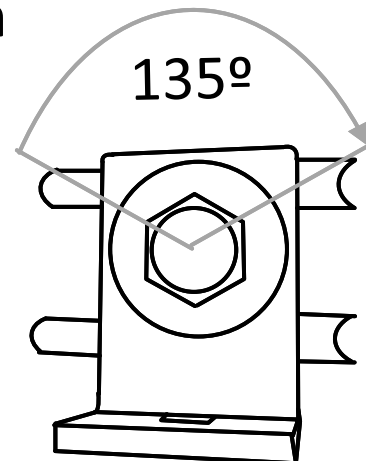
11

Inspection

Inspect and tighten all screws, wire clips, grommets and cotter pins. Make an alignment mark on each part that might be able to shift over time (like the motor mounts) using a Sharpie pen. Inspect all items, especially movement on the alignment marks, once a year.



tighten

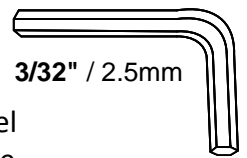
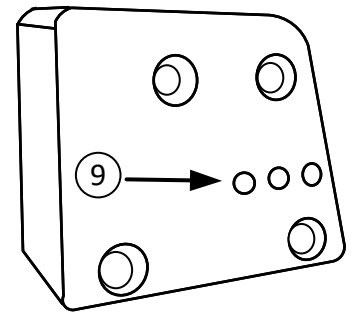
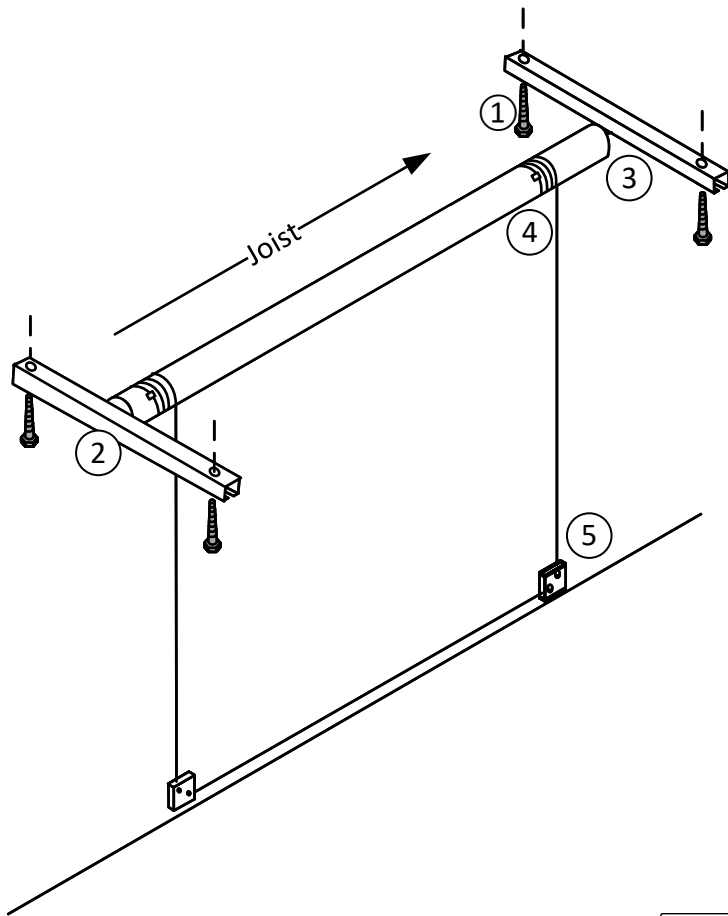


17 Check

Check list (after installing, and than ones the year!

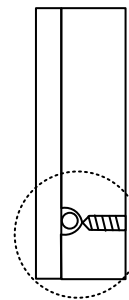
1. Lag screws tighten 4X
2. Cotter Pins installed and curved up 2X
3. 12mm Bracket screws tighten 2X
4. All set screws tighten 12X
5. All 6mm screws tighten 8X
6. E-Wire in the right order installed 7X
7. E-Wire is not laying on sharp corners
8. Controller is switch on
9. All set screws tighten 12x

Please inspect all items and make a check mark!



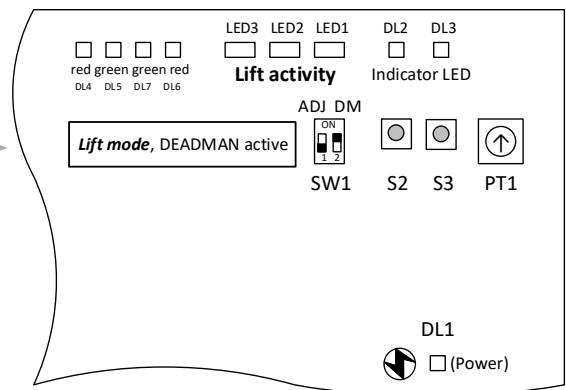
Steel rope

Vinyl



2-3 revolution

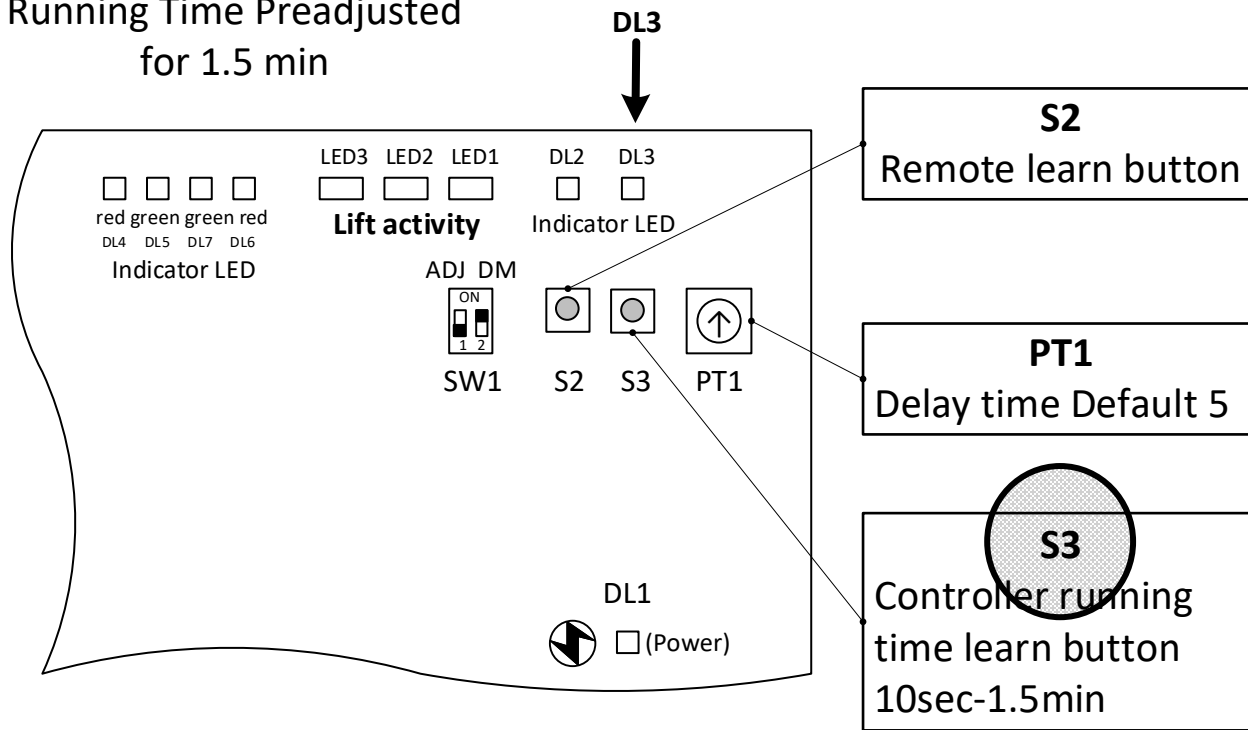
**After adjustment you MUST switch back on the other position!
(DeadMan = ON)
It's for your safety!**



Important! The Lift has to run to the ceiling end points (stopped automatically) in order to be leveled properly.

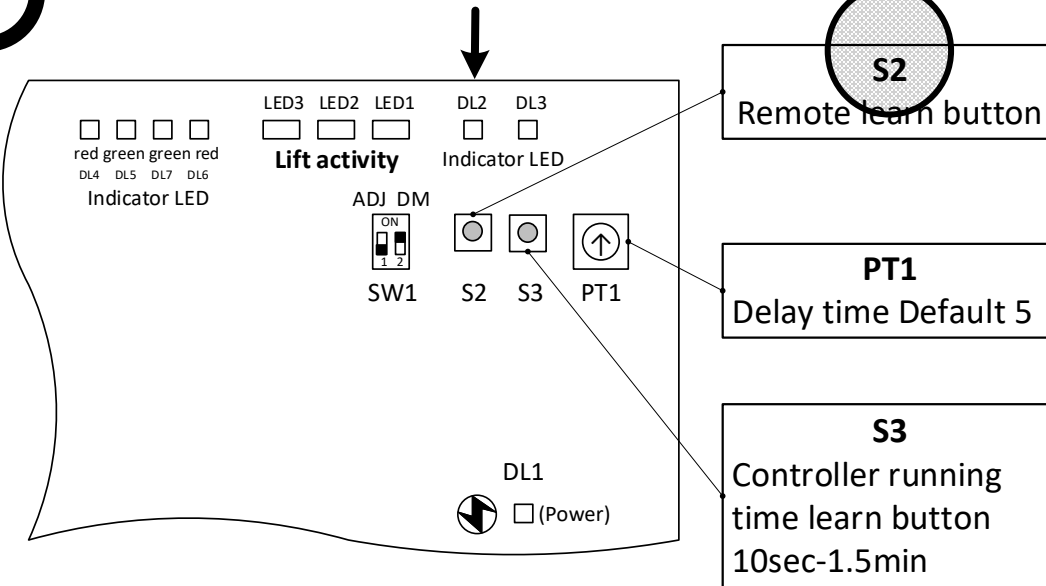


Running Time Preadjusted for 1.5 min

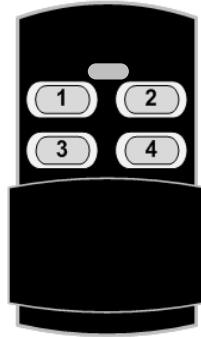


Switch on Controller	Indicator
Switch on the Controller, press power switch to the left	LED DL1 is lit
Programming the running time	Indicator
Press S3 run time button	LED DL3 starts to flash after 3 sec.
Hold S3 for 1:30min (max running time)	LED DL3 flashed and stopped release key
(You can program time between 10s and 1:30min) release key	e.g press S3, LED start to flash, hold for 30s, Running time is 30s now

Problems	Check
After switch on, LED DL1 is not lit	<ul style="list-style-type: none"> Is the plug connected to the outlet? Is the Outlet on a switch (and turned off)? Check the outlet works with an appliance. Check the wire connection. Disconnect the Controller from the outlet and check the fuses.



- 1 UP
- 2 Stop
- 3 Down
- 4 Learn



Remotes are Pre-configured

