

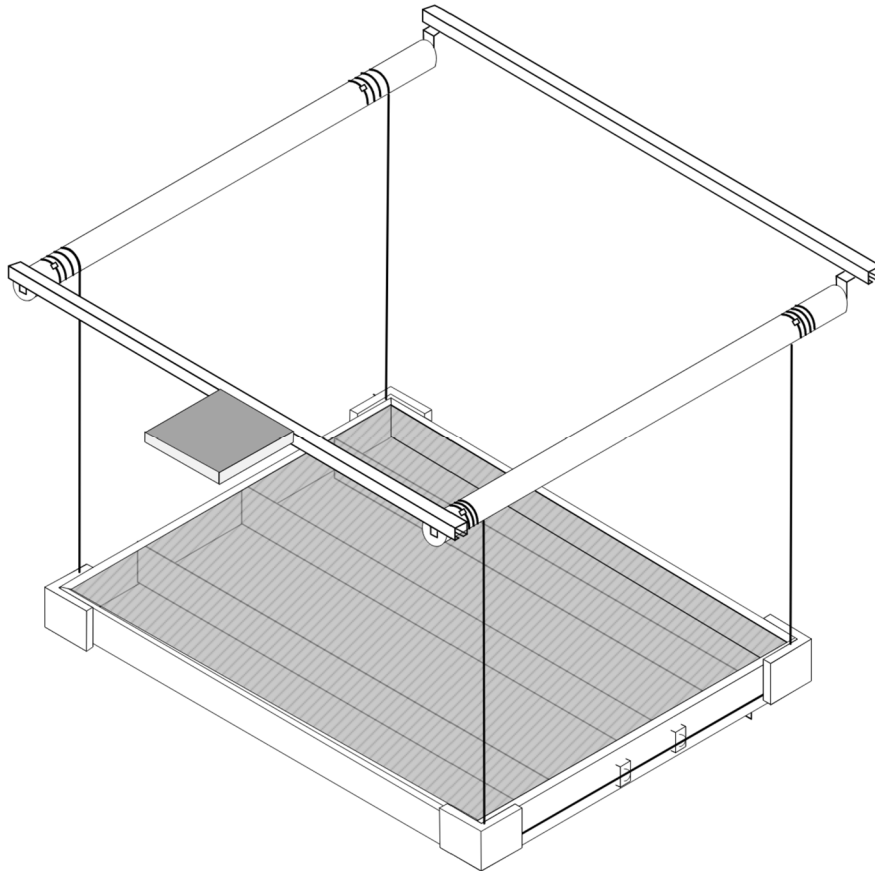
AUXXLIFT

1800

Installation Guide

Complete Installation & Setup Manual

Design and Quality — AUXXLIFT of the USA
All Rights Reserved • US Patent 9,572,427 B2
Release 03/2026/SW — Revised Edition



Scan for Installation Videos!

i Need Help?

Visit www.auxx-lift.com/installation-help for installation videos.

Help phone: PT 9 AM – 5 PM, Mon-Sat, at 1-888-915-5797

www.auxx-lift.com

Table of Contents

1. Before You Start	4
1.1 Pre-Installation Checklist	4
1.2 Important Rules	4
1.3 Ceiling Requirements	4
2. Recommended Tools	5
2.1 Required Tools	5
2.2 Nice to Have	6
3. Parts List	7
3.1 Major Components	7
3.2 Hardware	8
4. Planning Your Installation	10
4.1 Minimum Required Area	10
4.2 Joist Orientation	11
4.3 Extra Materials for 90° Rotated Joists	11
4.4 Special Installations	12
Sloping Roof	12
Attic	12
Rail Overhang	13
Max Uncoil	13
4.5 Do's and Don'ts	13
5. Step 1: Install Strut Channels	14
5.1 Locate the Joists	14
5.2 Mount the Strut Channels	14
5.3 Strut Channel mounting for 90° Rotated Joists	16
6. Step 2: Install Motors	17
6.1 Identify Left and Right Motors	17
6.2 Motor Spacing	17
6.3 Mount the Motors	17
7. Step 3: Install Controller	21
7.1 Controller Mounting Options	21
Option A: Drywall or Concrete Ceiling	22
Option B: Open Ceiling (No Drywall)	22
7.2 Power Outlet Routing	23
8. Step 4: Wiring	24
8.1 Motor Wiring	24

Right Motor – MOTOR2 (Red Cable Ties).....24

Left Motor – MOTOR1 (Green Cable Ties).....24

Power Cable - POWER.....24

9. Step 5: Wire Rope.....26

 9.1 Unrolling the Wire Rope.....26

10. Step 6: Install Platform27

 10.1 Assemble the Platform Frame27

 10.2 Install Support and End Beams28

11. Step 7: Motor Adjustment (Summary)31

 11.1 Screw Locations31

 11.2 Understanding + and – Directions.....31

 11.3 Adjustment Overview.....32

Step 1: Verify the Lift Assembly.....32

 Procedure32

Step 2: Ceiling Adjustment33

 Procedure33

Step 3: Floor Adjustment.....34

 Procedure34

Step 4: Activate Deadman Function35

 Procedure35

12. Step 8: Covers & Wire Mesh36

 12.1 Install Strut Covers36

 12.2 Install Wire Mesh Platform.....36

13. Inspection Checklist38

14. Installation Video Reference39

15. Controller Troubleshooting (if needed)40

 15.1 Power On40

 15.2 Running Time Setup.....40

16. Remote Control Programming (if needed).....41

 One-Channel Remote (4-button).....41

 Multi-Channel Remote41

 Erase Remote Memory41

1. Before You Start

⚠ READ COMPLETELY BEFORE BEGINNING

Read through all instructions before starting the installation.

For a professional, this installation takes approximately 3 hours.

Follow the instructions carefully and in order. If you feel uncomfortable handling the installation, please ask a handyman or work with a contractor.

1.1 Pre-Installation Checklist

1. Have you read through the entire instructions?
2. Do you have all the recommended tools?
3. Do you have somebody assisting you?
4. Have you allocated enough time (minimum 3 hours)?
5. Do you have a good, stable ladder?

1.2 Important Rules

- **Do not** use an impact driver.
- Clean the work area before you start.
- Wear safety glasses at all times.
- Keep the work area clear of obstructions.
- Check measurements during construction.
- Make sure nothing is in the way (windows, doors, garage door tracks, etc.).

1.3 Ceiling Requirements

⚠ STRUCTURAL SAFETY

By proceeding with installation, the customer acknowledges and accepts full responsibility for verifying that their ceiling structure is adequate to support the lift and its rated load capacity. Auxx Lift assumes no liability for structural failures, property damage, or personal injury resulting from inadequate ceiling construction.

If you have doubts about the ceiling construction, please ask a specialist!

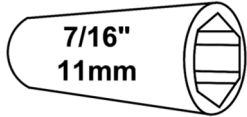
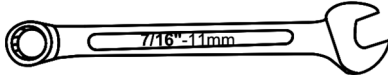
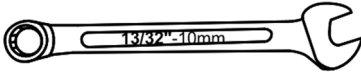
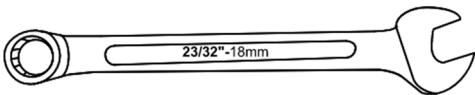
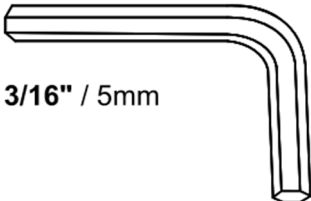
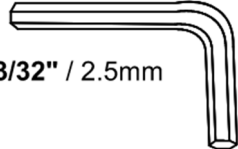
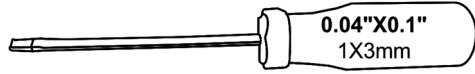
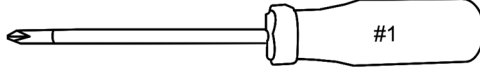
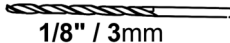
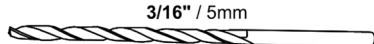
1. Does your garage ceiling have or has had termites?
2. Are the joists strong and big enough? (2" x 6" minimum); Always check with a structural engineer.
3. Mounting to a concrete ceiling requires anchors.
4. Has your home been built according to valid standards and guidelines?


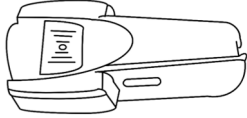
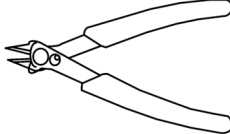
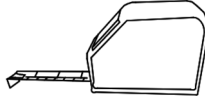
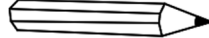
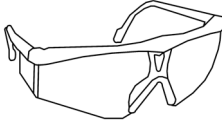
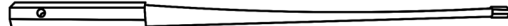

i Need Help?

Visit www.auxx-lift.com/installation-help for installation videos.
 Help phone: PT 9 AM – 5 PM, Mon-Sat, at 1-888-915-5797
www.auxx-lift.com

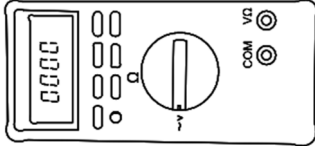
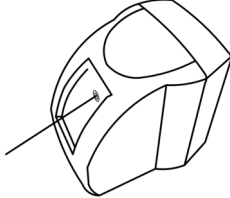
2. Recommended Tools


2.1 Required Tools

Tool	Image	Purpose
Socket wrench - 7/16" (11 mm)		Lag screws, bracket screws, spring nuts
Ratchet wrench - 7/16" (11 mm)		Tight spaces where socket won't fit
Ratchet wrench - 13/32" (10 mm)		Set screws and smaller hardware
Ratchet wrench - 23/32" (18 mm)		Motor mounting nuts
Allen key (hex wrench) - 3/16" (5 mm)		Platform assembly screws
Allen key (hex wrench) - 3/32" (2.5 mm)		Set screws
Flat-head screwdriver		Wiring connections, adjustment screws
Philips screwdriver		Mounting controller
Drill with drill bit - 1/8" (3 mm)		Pilot holes for lag screws for strut channel mounting
Drill with drill bit - 3/16" (5 mm)		Pilot holes for controller (if ceiling mounted)

Level (24–48")		Leveling strut channels and beams
Stud finder		Locating ceiling joists
Wire cutters / snips		Cable ties
Tape measure		Measurements
Pencil		Marking joist locations
Safety glasses		Eye protection (required!)
Ladder	-	Reaching the ceiling
Adjustment Tool (provided)		Turning motor adjustment screws.
Remote Control (provided)		Moving lift up, down, stop, learn.

2.2 Nice to Have

Tool	Image	Purpose
Multimeter		For checking electrical connections
Laser		For layout on ceiling
Headlamp	-	For working overhead

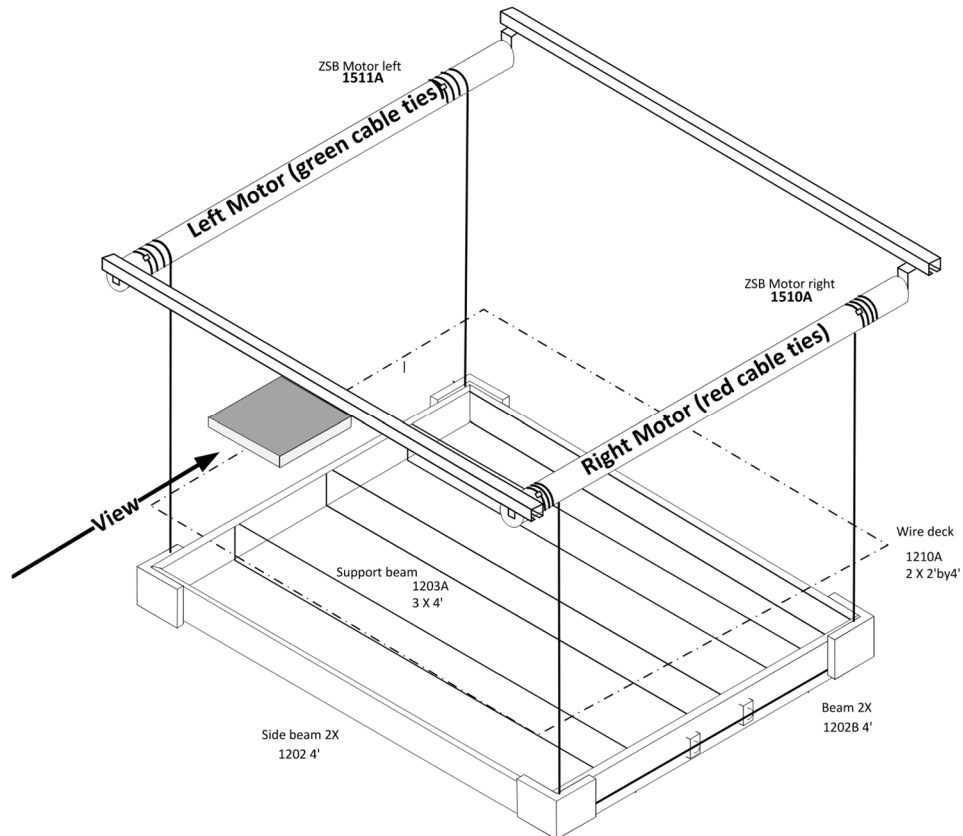
Extension stick (3 ft / 1 m)	 Extension stick 3', 1m	For adjusting motors from the floor (not included).
------------------------------	--	---

3. Parts List

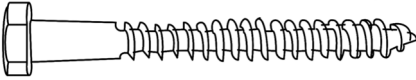


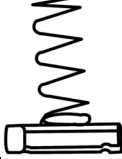
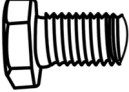




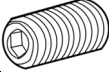

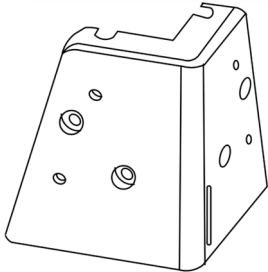
Verify all parts are included before beginning installation.

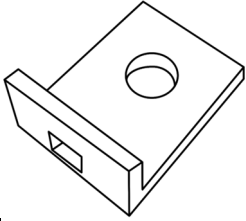
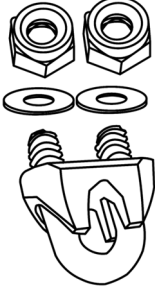

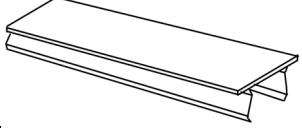


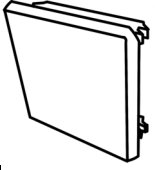
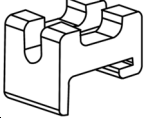
3.1 Major Components

Qty	Part #	Description
1	095A	Controller and cable
1	1511A	Left motor assembly (green cable ties)
1	1510A	Right motor assembly (red cable ties)
2	02PA / 02QA (side holes)	Strut channel (1 with side holes, 1 without)
2	1202	Side Beams (4')
2	1202B	Beams (4')
3	1203A	Support beam; (3) x 4-feet
2	1210A	Wire mesh deck; (2) 2-feet x 4-feet.



3.2 Hardware

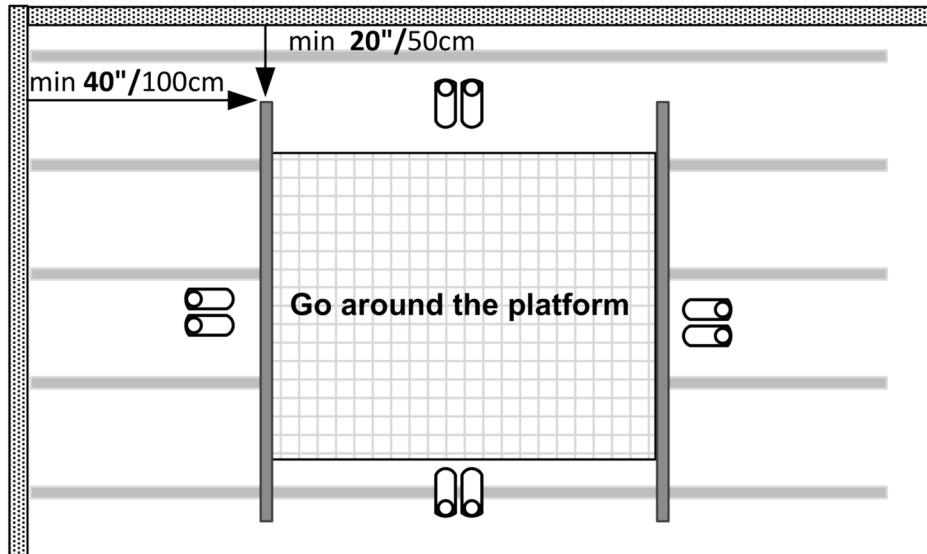
Qty	Part #		Description
8	067A		Lag screws (5/16" x 4.0" / 8 mm x 100 mm SPAX); For strut channel attachment.
8	078A		Flat washers (M12, for lag screws 067A)
12	07AA		Flat washers (M8, for lag screws 067A and for 065A)
4	0302A		Spring nuts for motor attachment at strut channels
4	065A		Screws (M12x24)
12	063A		Screws (M6x14)
12	064A		Screws (M6x20)
28	071A		Nuts (M6)
8	073A		Nuts (M5)
8	069A		Setting screw (M5 x 12mm)
4	0803A		Drywall Screws and anchors (1 1/8" x 1/8")
4	035A		Corner brackets

4	022C		Motor Bracket
4	02BA		Wire rope clips
4	07FA		Cotter pins
2	013A		Strut cover at cables.
5	03LA		Grommets for strut channel holes (controller side)
4	09FA		Cord grips
4	03EA		Strut covers/end caps
6	037A		Wire mesh clips

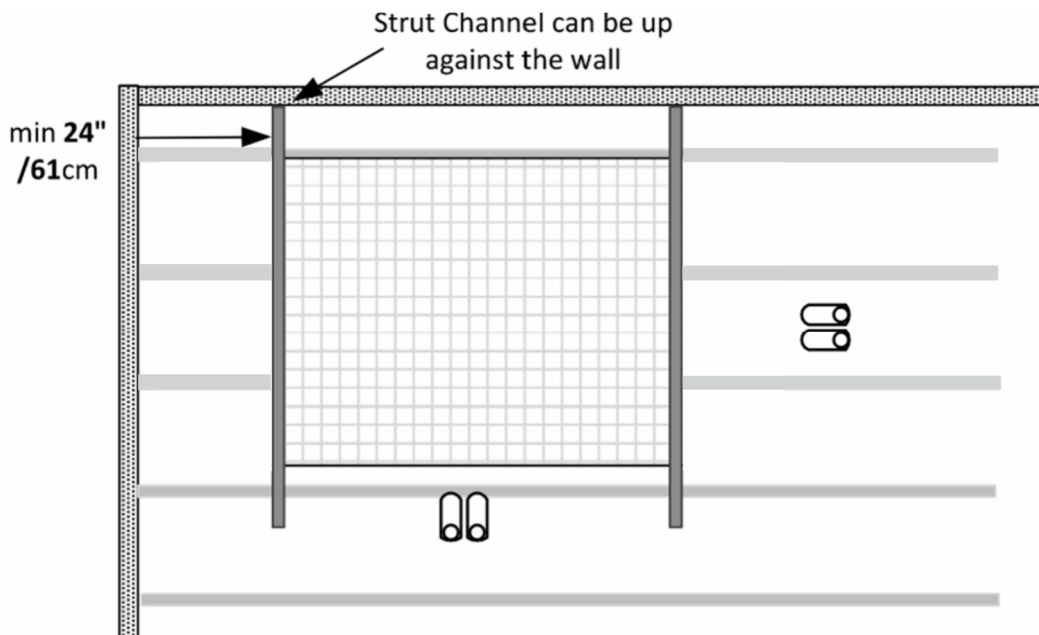
4. Planning Your Installation

4.1 Minimum Required Area

The lift requires the following minimum clearances to ensure **space for loading** the Auxlift from each side:



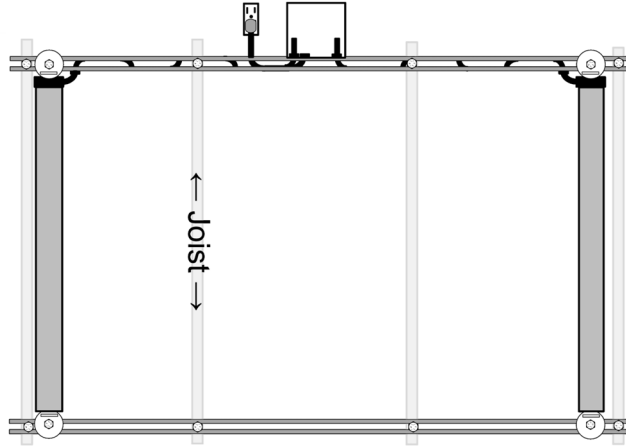
For corner installations, maintain the minimum clearances shown below. A corner position restricts platform access to two sides only, so plan your loading orientation accordingly before mounting the strut channels:



4.2 Joist Orientation

There are two installation configurations depending on your joist orientation:

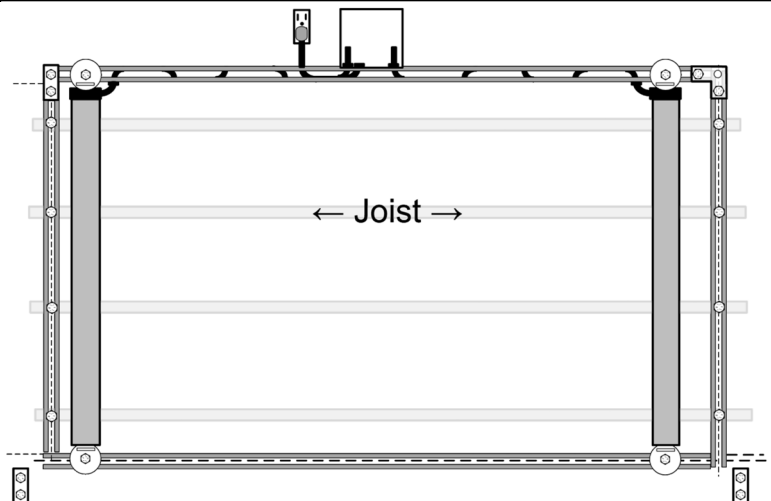
Configuration	Joist Direction	What You Need
Standard (Option 1)	Joists run perpendicular to strut channels	Included hardware only
Rotated 90° (Option 2)	Joists run parallel to strut channels	Extra strut channels required (not included — see Section 4.3)



4.3 Extra Materials for 90° Rotated Joists

If your joists are rotated 90° from standard, you will need the following additional materials (available at any hardware store or from Auxlift):

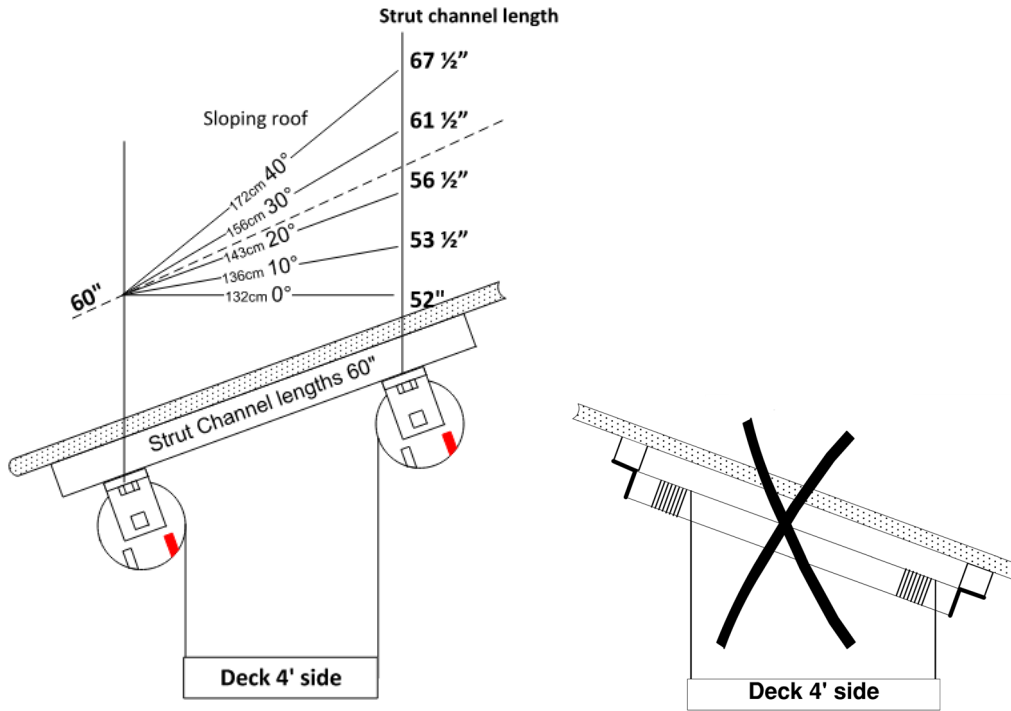
Qty	Description	Model #
1	Strut Channel 10'	ZA12HS10EG
8	Strut Spring Nuts 1/2"	ZA1001/2EG-10
8	Strut Screws Hex-Head Bolt	ZE142121516EG10
4	Strut Brackets	ZAB206EG-10



4.4 Special Installations

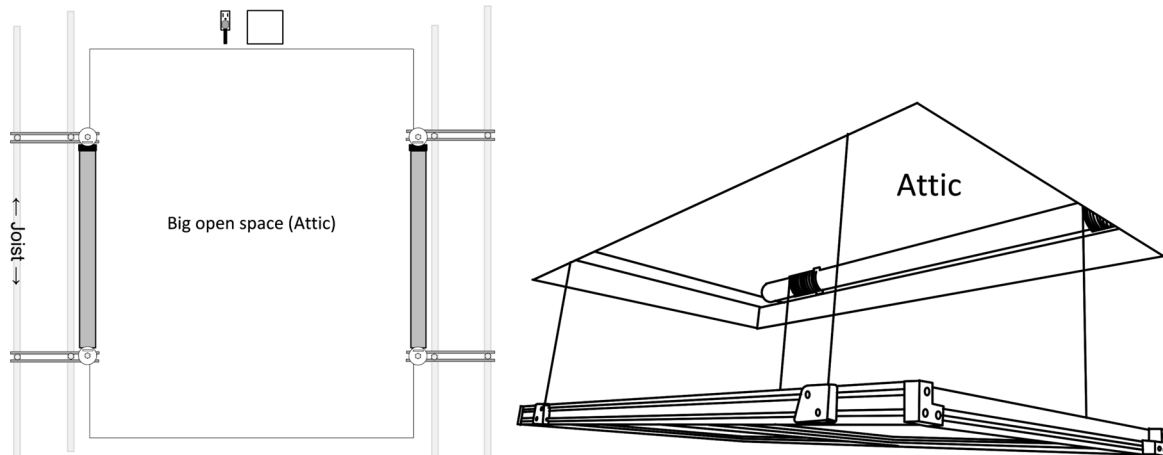
Sloping Roof

The Auxlift can be installed on sloped ceilings. Refer to the strut channel length table to determine the correct strut channel length based on your ceiling angle. Standard strut channels are 60 inches long, which accommodates a maximum ceiling slope of 25 degrees. For steeper slopes, a longer strut channel will be required.



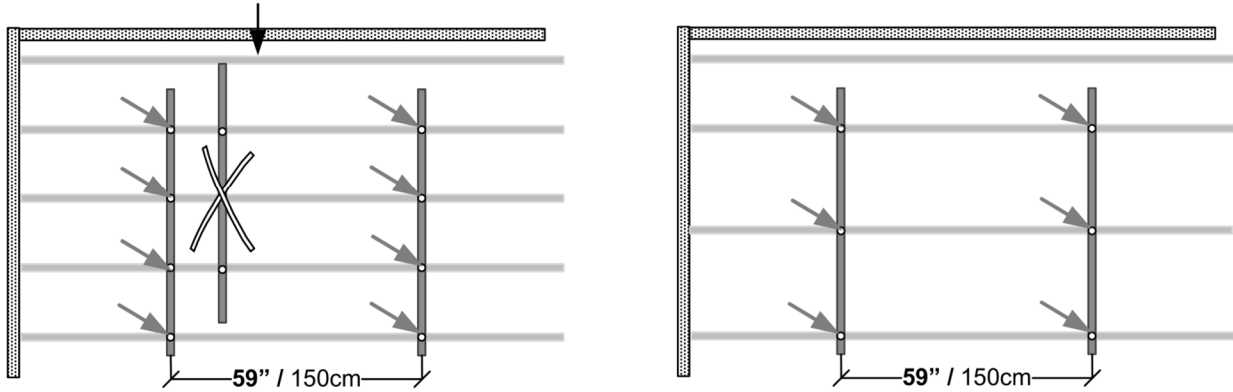
Attic

The Auxlift can be installed in attics too.



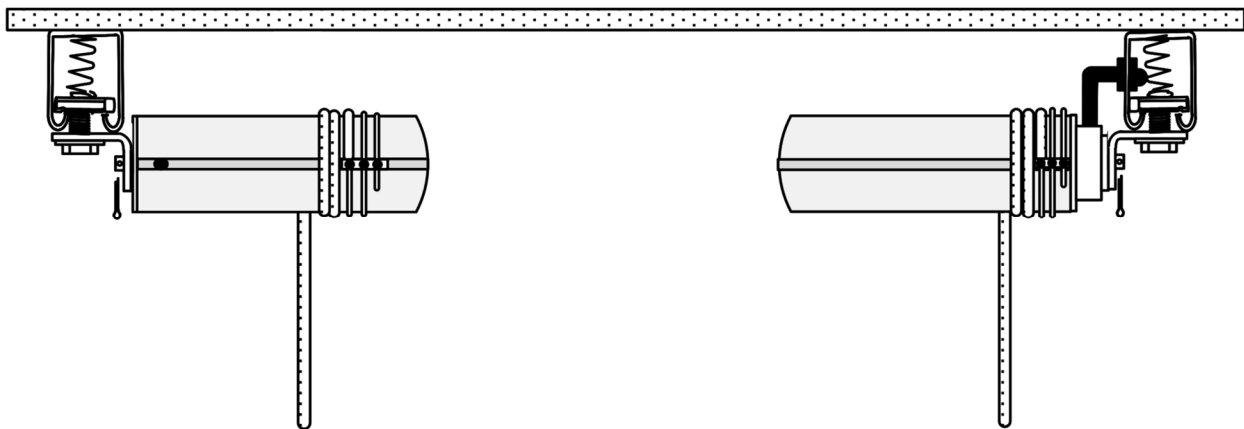
Rail Overhang

The rail overhang on joists should never exceed more than 12" / 30 cm. Ensure the strut channels are adequately supported.



Max Uncoil

Always leave minimum 2 coils of rope on motor.



4.5 Do's and Don'ts

Do	Don't
Ensure gap between bracket and motor is less than 1/16" (1 mm)	Use an impact driver on lag screws
Route motor cables straight up toward the ceiling	Change any material
Use grommets on all wire paths into struts	Cut the wire rope
Keep a minimum of 4" / 10 cm between multiple lifts	Drill additional holes in any parts

5. Step 1: Install Strut Channels

The strut channels mount directly to the ceiling joists and form the rail system for the lift.

5.1 Locate the Joists

1. Use a stud finder to locate the ceiling joists.
2. Mark the joist locations with a pencil. Ensure the lag screw will be positioned and installed at the center of the joist.
3. Drill pilot holes using a 1/8" (3 mm) drill bit.

5.2 Mount the Strut Channels

1. Identify the two strut channels: one has side holes, one does not.
2. **The strut channel WITH side holes (02QA) is the controller side.**
3. **The strut channel WITHOUT side holes (02PA) is the opposite side.**
4. Position the strut channels 59" / 150 cm apart (center to center), perpendicular to the joists.
5. Ensure both channels are level and at 90° to each other.
6. Secure each channel with lag screws (5/16" x 4.0" / 8 mm x 100 mm SPAX) (067A) (8 total) and M8 and M12 flat washers (07AA and 078A).
7. Install grommets (03LA) (5x) at side holes of strut channel as shown.

LAG SCREW WARNING

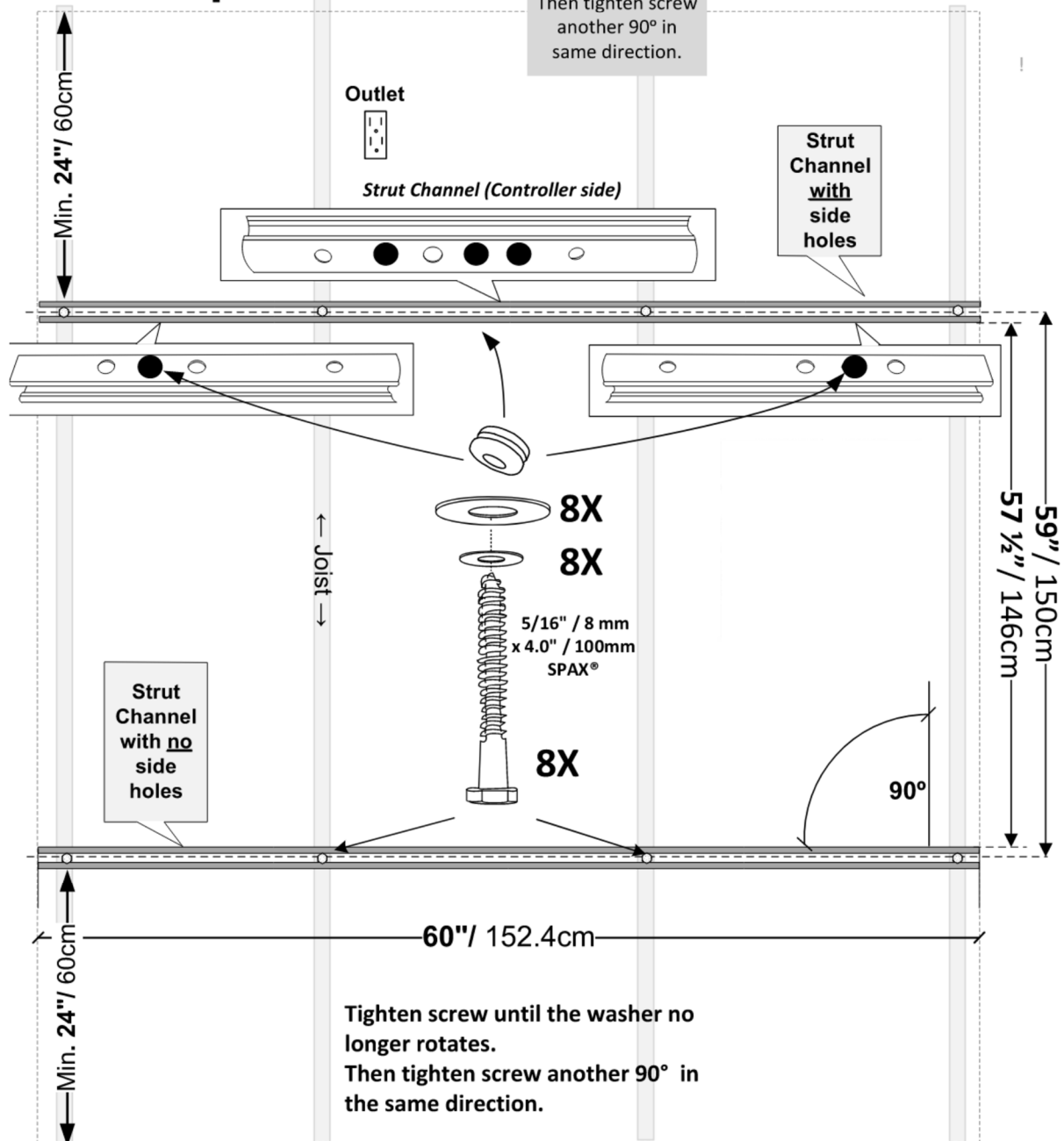
DO NOT use an impact driver to tighten the lag screws!

Tighten each screw until the washer no longer rotates. Then tighten the screw another 90° in the same direction.

Warning!

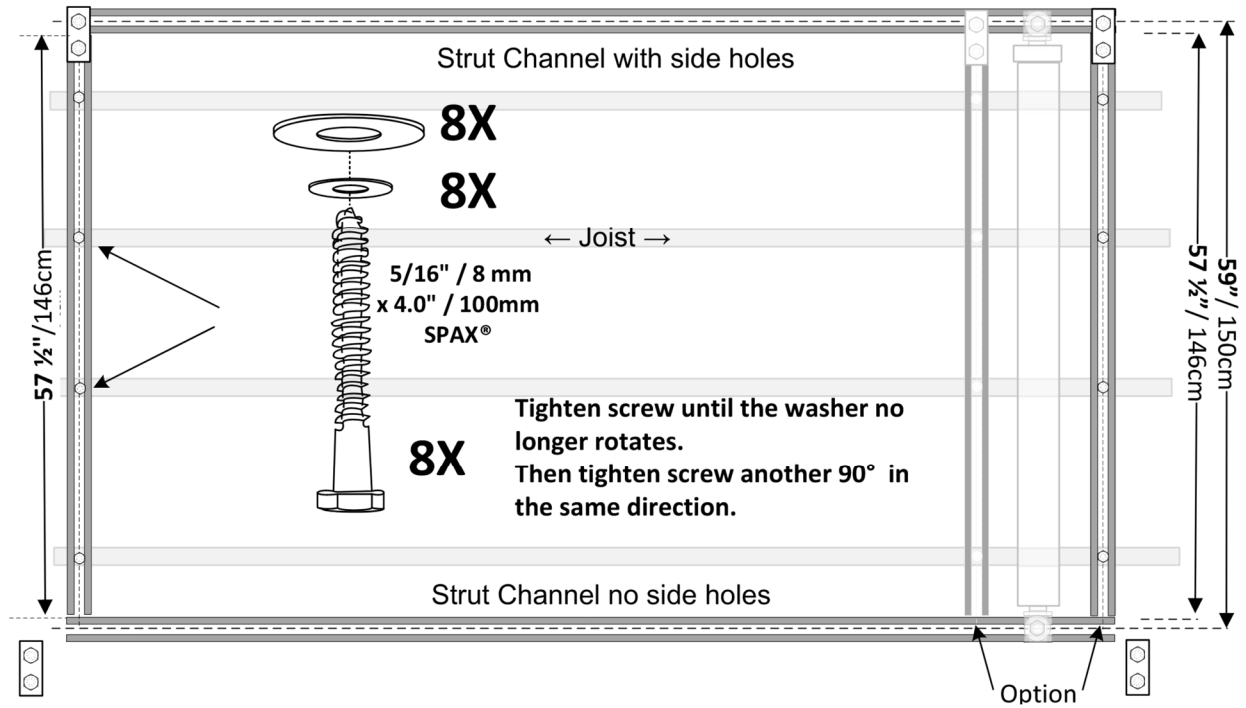
DO NOT use an Impact Driver to tighten the Lag screws!
Tighten screw until the washer no longer rotates.
Then tighten screw another 90° in same direction.

Min. Required Area



5.3 Strut Channel mounting for 90° Rotated Joists

If your joists are rotated 90° from standard, you will need the additional hardware kit and install as shown below:



6. Step 2: Install Motors

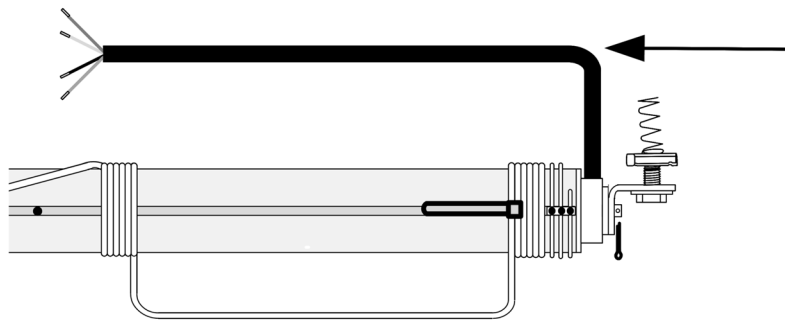
6.1 Identify Left and Right Motors

When looking up toward the ceiling:

Motor	Zip Tie Color
Left Motor	Green cable ties
Right Motor	Red cable ties

⚠ Cable Direction

The black cables that come out of the motors must be routed straight up to the ceiling (see image below). Ensure cables are routed properly before securing.

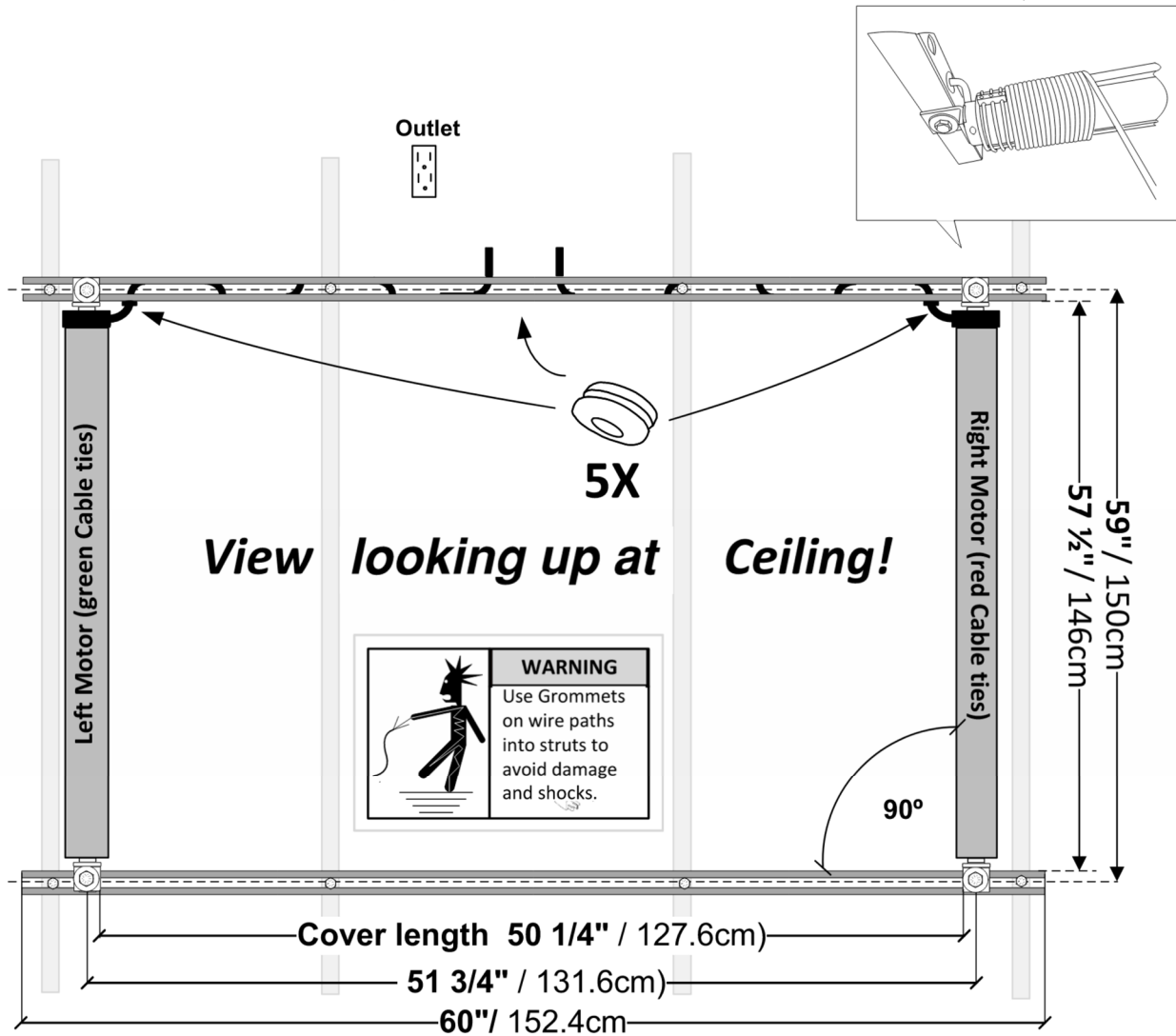


6.2 Motor Spacing

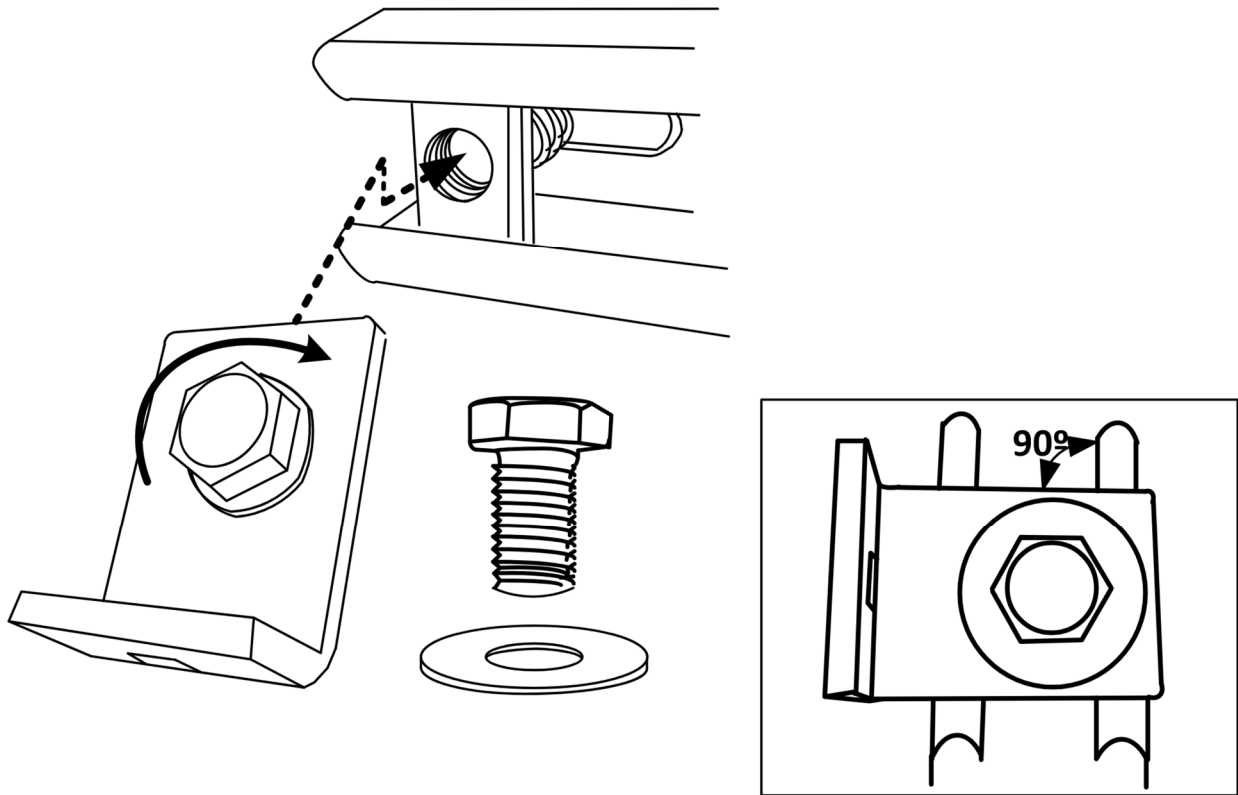
Measurement	800 lb Version
Motor spacing (center to center)	51 ¾" / 131.6 cm
Cover length	50 ¼" / 127.6 cm

6.3 Mount the Motors

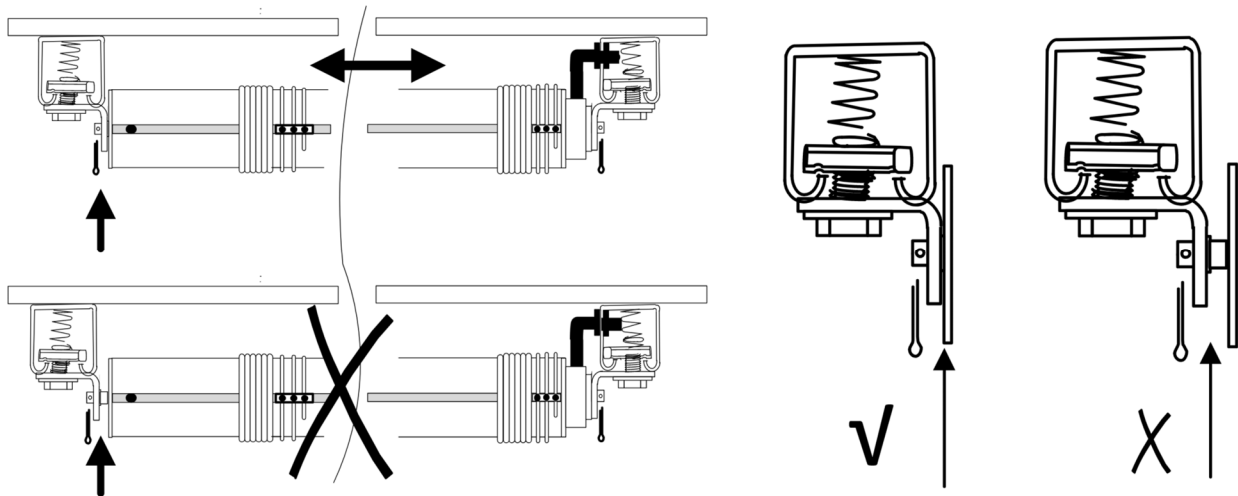
1. Slide spring nuts (4x) (0302A) into each strut channel.
2. Position the motor brackets (4x) (022C) on the spring nuts (0302A) at the correct spacing.

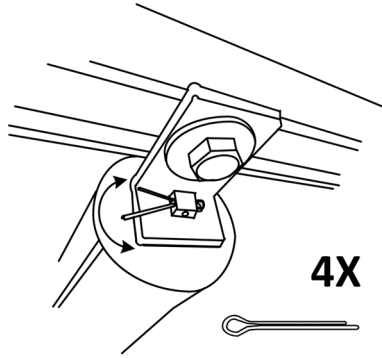


3. Attach each motor to the strut channel using the brackets (022C), the M12x24 screw (065A), and the washer (078A). Tighten the M12x24 screw until the washer no longer rotates, then tighten another 90 degrees using a Ratchet wrench (23/32" / 18 mm).

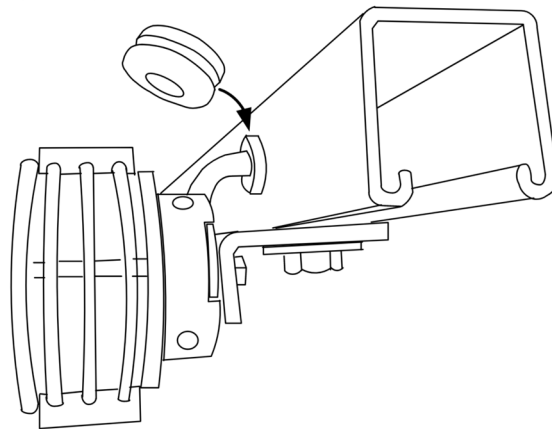
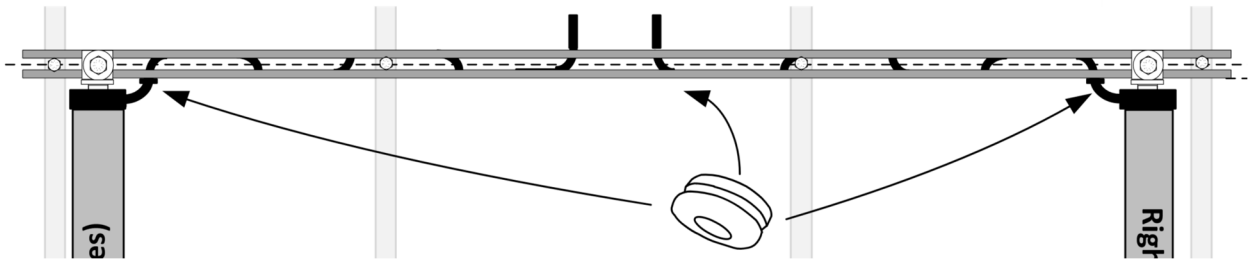


4. Verify the gap between the bracket and motor does not exceed 1/16" (1 mm).
5. Insert the (4x) cotter pins 07FA as shown below.





6. Route the cable through the strut channel towards the center on each side. Make sure to install the grommets (03LA) where the cable passes through the strut channel, if you haven't already.



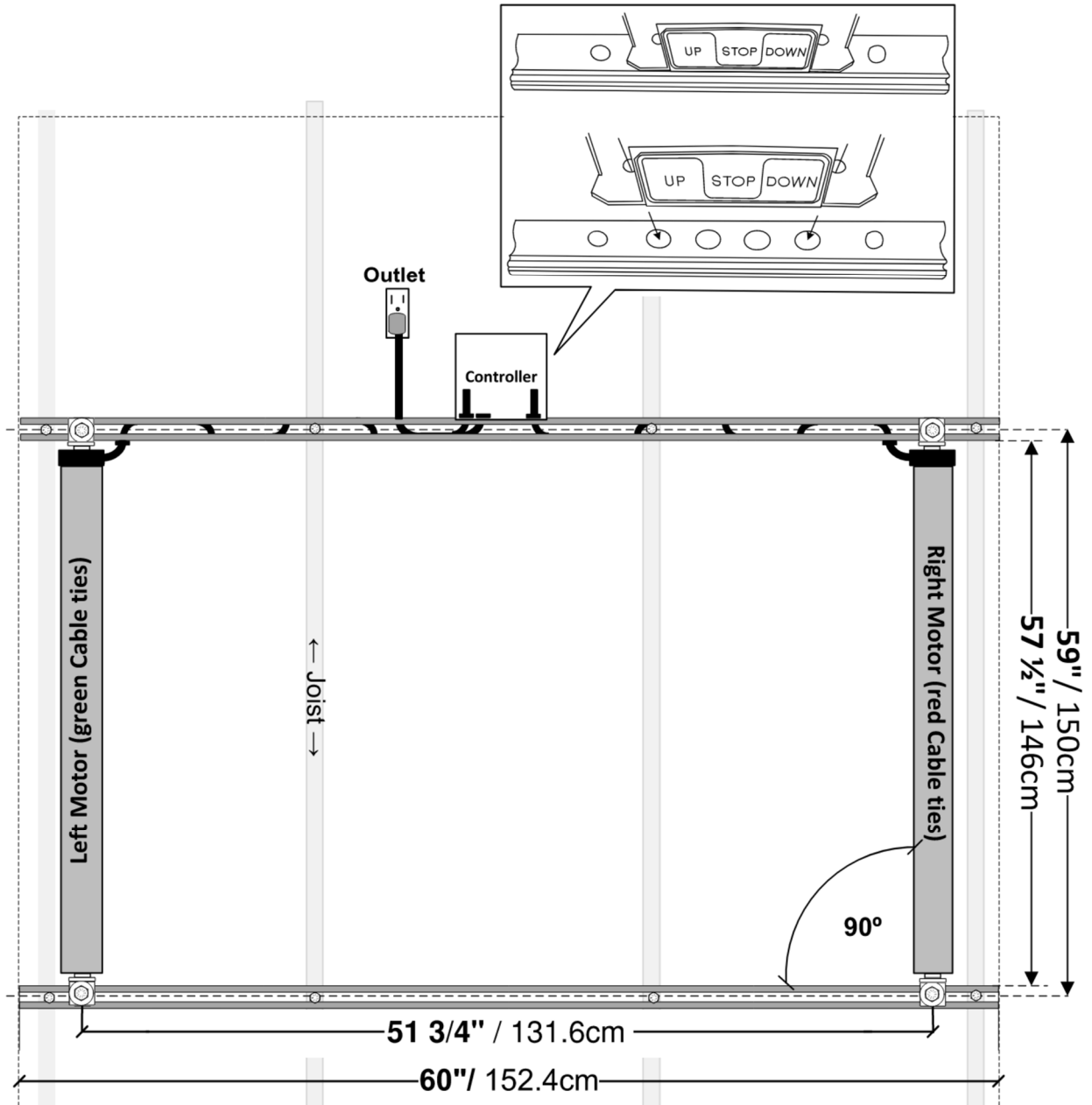
7. Step 3: Install Controller

⚠ SHOCK HAZARD

Disconnect power before working on wiring!

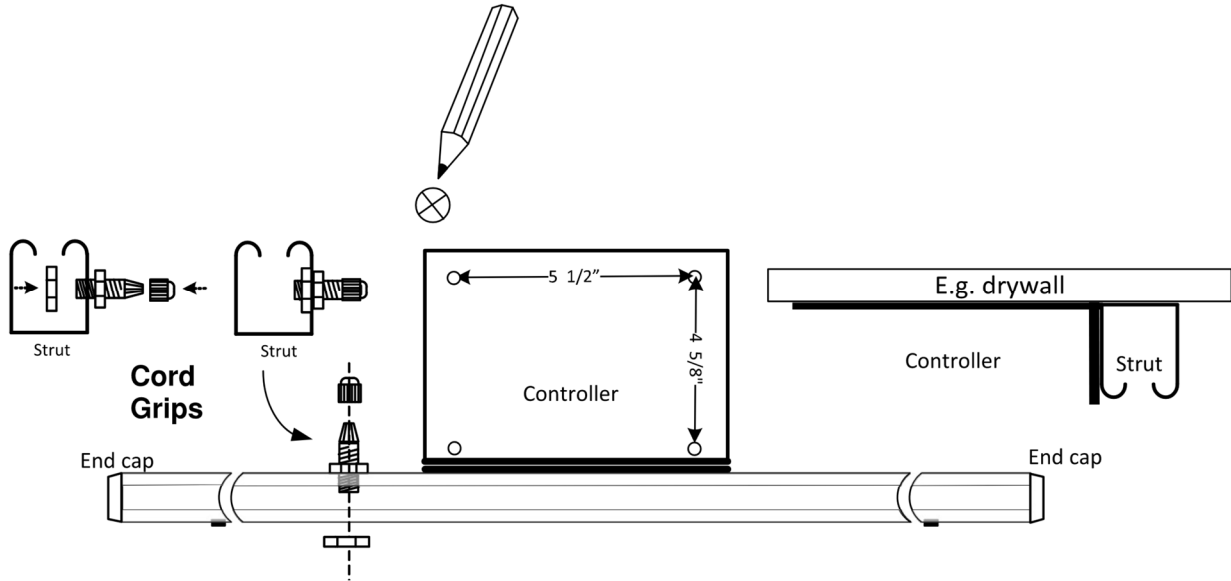
7.1 Controller Mounting Options

The controller (095A) mounts on the strut channel with the side holes.



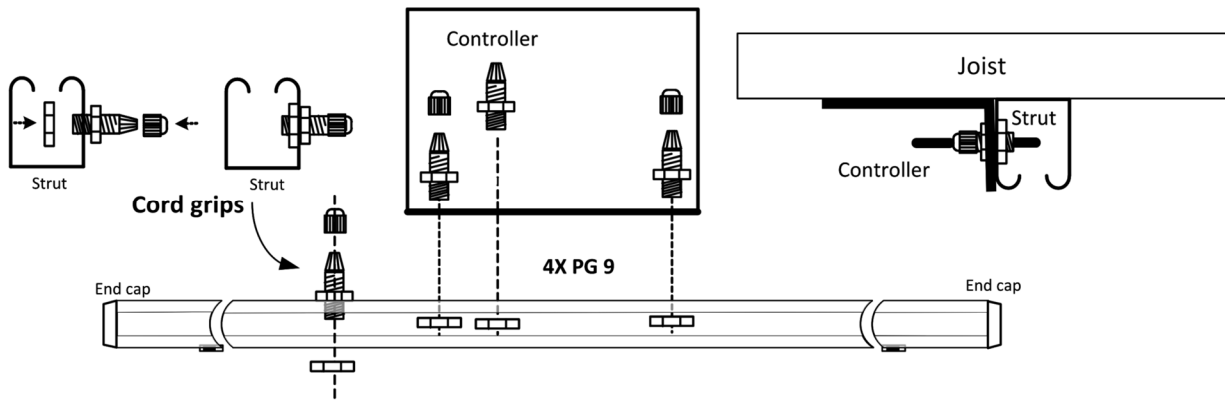
Option A: Drywall or Concrete Ceiling

- Position the controller centered between the strut channels.
- Mark and drill (4) pilot holes: 3/16" diameter, at spacing shown below.
- Use (4) self-tapping screws (1 1/8" x 1/8") (0803A) to mount controller to the ceiling. (Use anchors for drywall or concrete ceilings as needed).



Option B: Open Ceiling (No Drywall)

- Mount the controller directly to the strut channel using the cord grips.

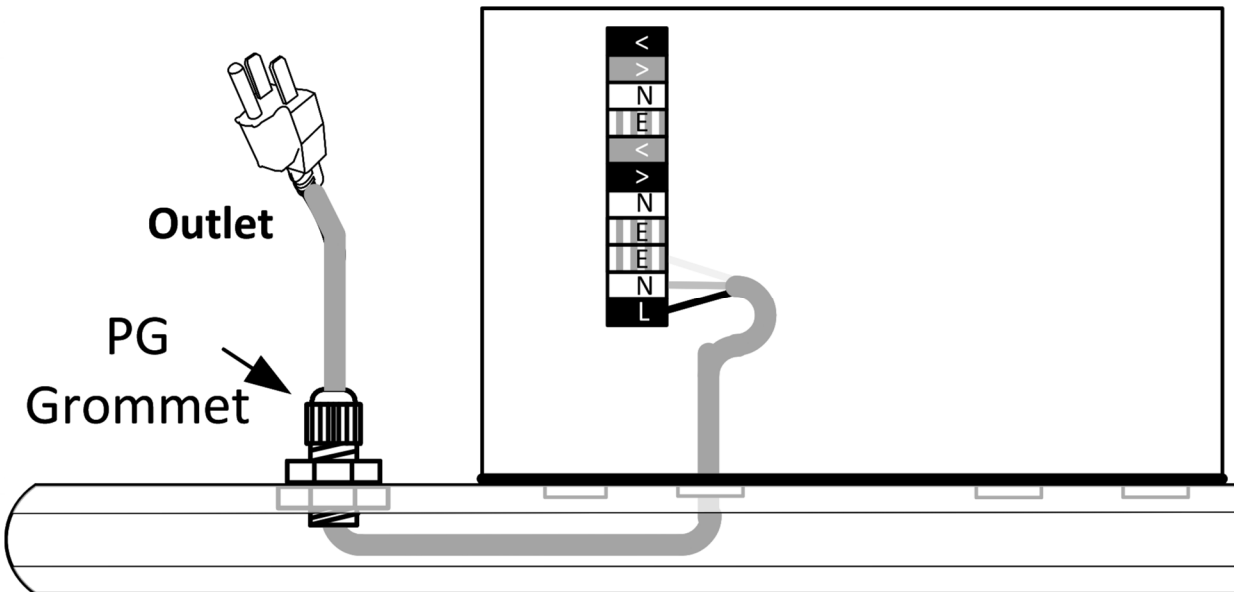


7.2 Power Outlet Routing

Several options are available to route the power cable to the nearest outlet. The outlet must be a standard 120V outlet. Route wiring through pre-drilled holes.

⚠ GROMMETS REQUIRED

Use grommets on ALL wire paths into struts to avoid wire damage and shock hazard.



8. Step 4: Wiring

SHOCK HAZARD

Disconnect power before working on wiring! Verify all wires are tightly connected before connecting to the outlet.

8.1 Motor Wiring

Each motor connects to the controller. Wires are connected by tightening the binding screws on top of the connector blocks.

Right Motor – MOTOR2 (Red Cable Ties)

Wire Color	Connector Terminal	Function
Black	< (Down)	Down
Red	> (Up)	Up
White	N (Neutral)	Neutral
Green	E (Earth)	Earth / Ground

Left Motor – MOTOR1 (Green Cable Ties)

Wire Color	Connector Terminal	Function
Red	< (Down)	Down
Black	> (Up)	Up
White	N (Neutral)	Neutral
Green	E (Earth)	Earth / Ground

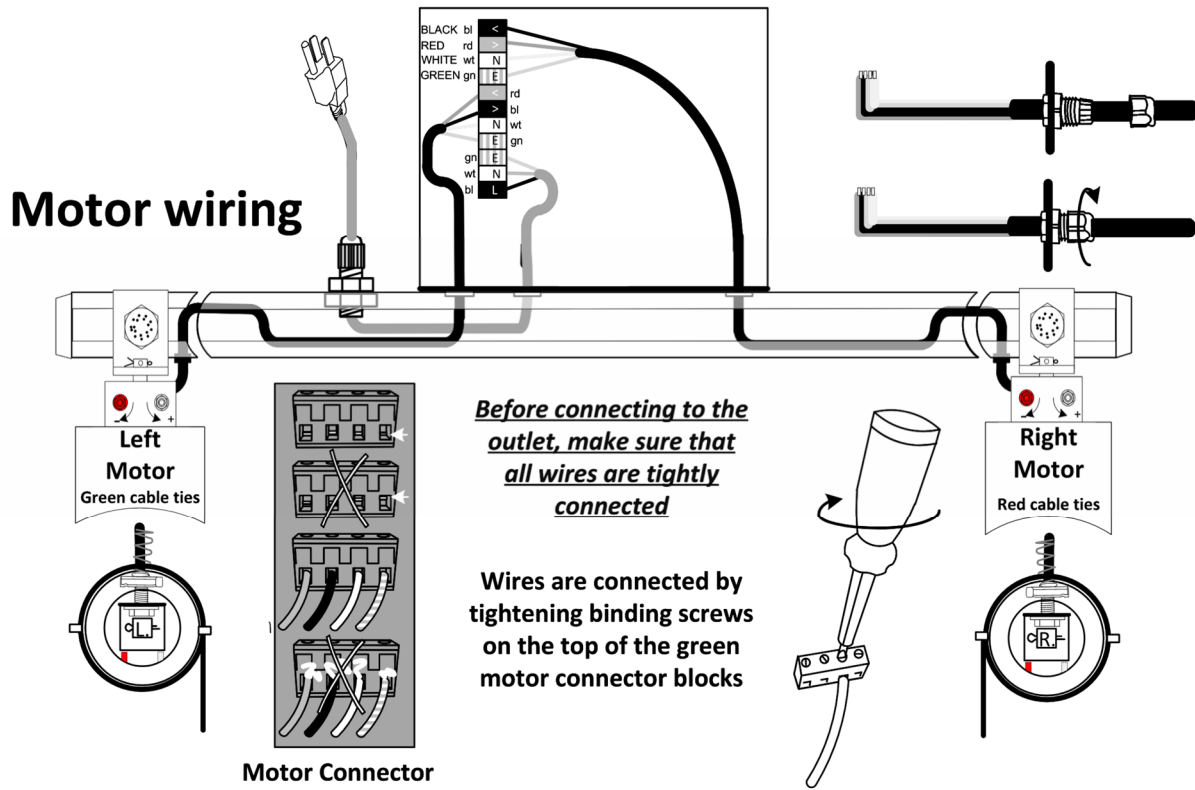
Power Cable - POWER

Wire Color	Connector Terminal	Function
Green	E (Earth)	Earth / Ground
White	N (Neutral)	Neutral
Black	L (Hot/Line)	Hot / Line

Before connecting to the outlet, make sure that all wires are tightly connected in the controller connector blocks.

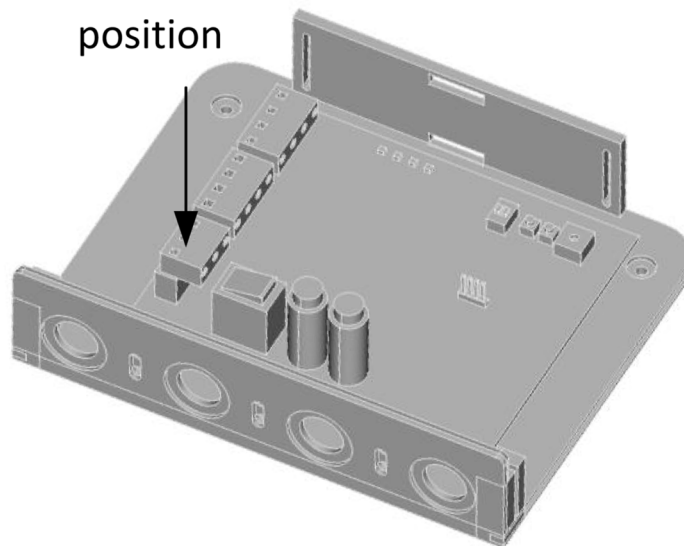
Note

The left motor and right motor have DIFFERENT wire color orders for the Down and Up terminals. Right motor: Black = Down, Red = Up. Left motor: Red = Down, Black = Up.



Install the cable connectors in the exact positions shown below. Incorrect connector placement will cause connection failures.

Cable connector position



9. Step 5: Wire Rope

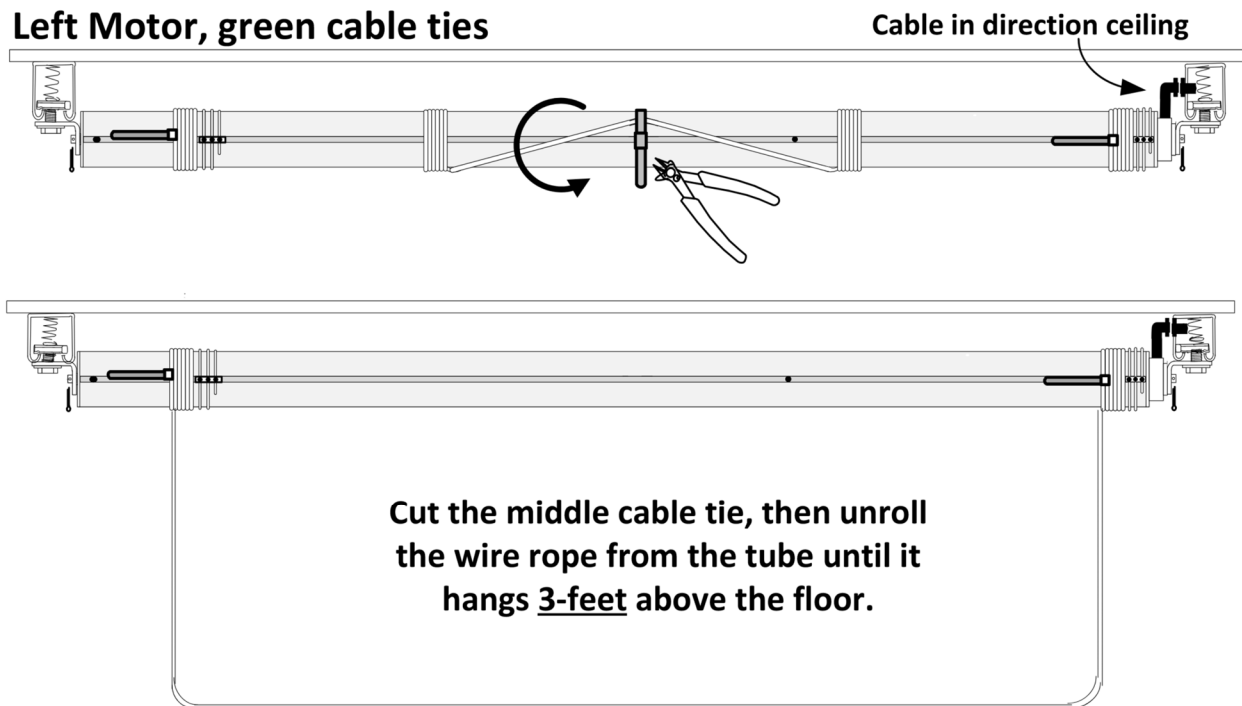
9.1 Unrolling the Wire Rope

1. Cut the middle cable tie on each motor carefully.
2. Unroll the wire rope from the tube until it hangs 3-feet above the floor.

⚠ WIRE ROPE SAFETY

Never cut the wire rope!

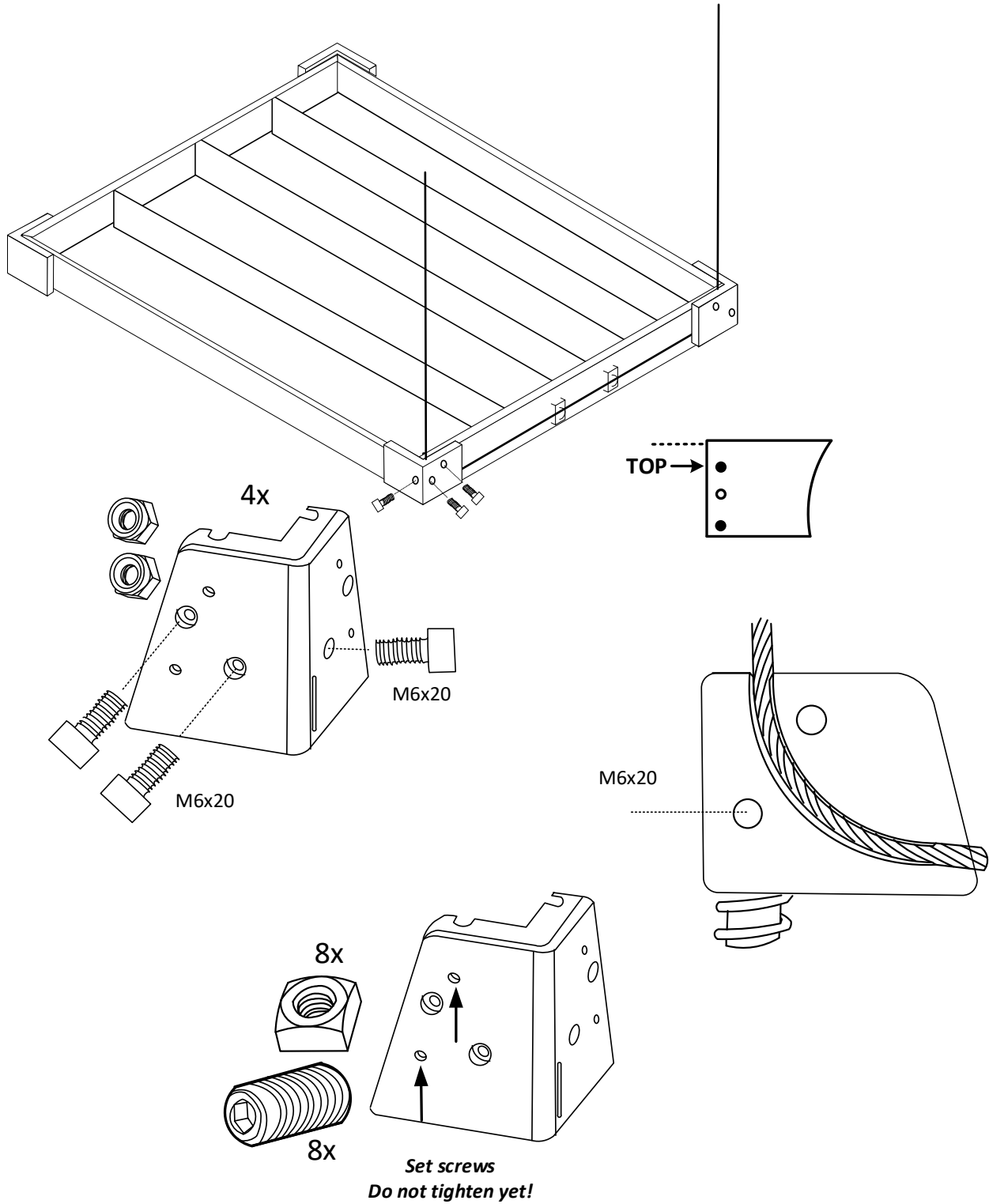
Even without tension, the cable wraps must be neatly side by side with no overlapping.



10. Step 6: Install Platform

10.1 Assemble the Platform Frame

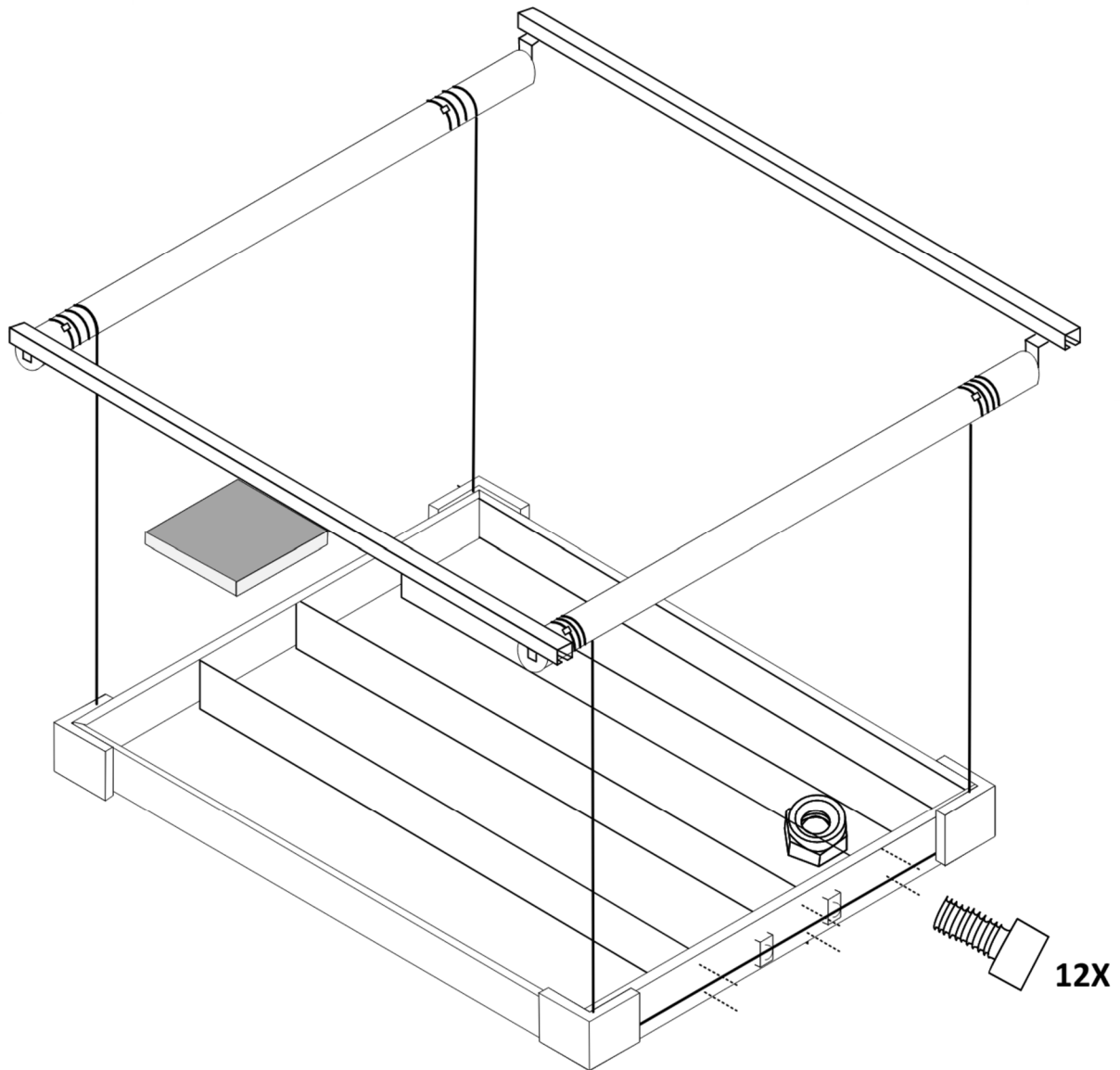
1. Lay out the (2x) Side beams (1202 (4')) on the floor.
2. Connect the (4x) corner brackets (035A) using (8x) M6x20 screws (063A) and (8x) M6 nuts (071A) to the Side beam edges.
3. Attach the left and right cable guide assemblies (2x each) using (8x) M6x20 screws (064A) and (8x) M6 nuts (071A) and thread the wire ropes through the cable guide assemblies. These will connect the platform to the wire ropes.
4. Do **NOT** tighten the **M5x12 setting screws (069A) yet.**

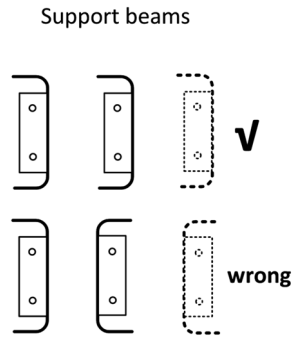
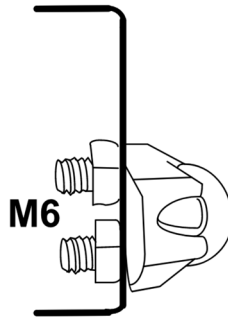
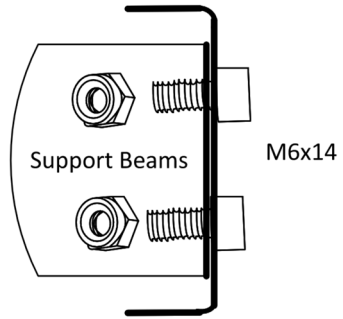


10.2 Install Support and End Beams

1. Attach the (3x) Support beams (1203A) and (2x) beams (1202B) across the platform frame using (12x) M6x14 screws and (12x) M6 nuts. **Pay attention to support beam direction – they all face the same direction!**

2. Ensure support beams are evenly spaced.
3. Install the (4x) Wire rope clips (02BA) to the beams, thread the wire ropes through the rope clips, but **do NOT tighten the set nuts yet!**
4. Level the platform.





11. Step 7: Motor Adjustment (Summary)

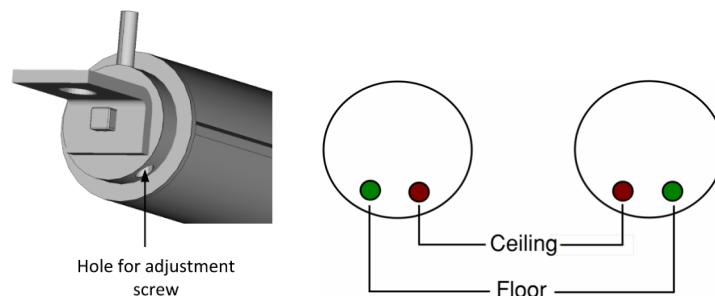
i DETAILED ADJUSTMENT MANUAL

This section provides a brief summary of the motor adjustment process. For complete step-by-step adjustment instructions, troubleshooting, and basic setting procedures, refer to the separate Auxlift Adjustment Manual.

11.1 Screw Locations

Each motor has two adjustment screws, accessed from below (all views looking toward the ceiling):

Adjustment Screw	Location	Controls	Direction for + (extend)
Inside screw	Closer to center of lift	Ceiling adjustment	Clockwise
Outside screw	Farther from center	Floor adjustment	Clockwise



11.2 Understanding + and – Directions

+ (clockwise): Extends travel range — platform stop-point moves closer to ceiling or floor.

– (counter-clockwise): Reduces travel range — platform stop-point moves away from ceiling or floor.

i When to Use Each Direction

During initial adjustment: ONLY turn in the + (clockwise) direction.

The – (counter-clockwise) direction is used ONLY for troubleshooting and resetting limits (see Section 7 and 8 of Adjustment manual).

All adjustment screws on both motors work the same way: + = Clockwise, – = Counter-clockwise.

11.3 Adjustment Overview

The adjustment is performed in these steps:

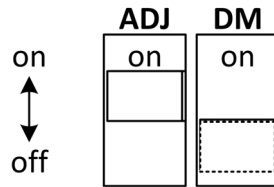
Step	Action
1. Verify	Switch ADJ on, confirm all 4 indicator LEDs are lit, switch ADJ off
2. Ceiling Adjustment	Press UP until platform stops; turn inside screws + (CW) to bring platform to desired ceiling height
3. Floor Adjustment	Press DOWN until platform stops; turn outside screws + (CW) to bring platform to desired floor height
4. Activate DEADMAN	Set DIP switch: ADJ = OFF, DM = ON

Step 1: Verify the Lift Assembly

Confirm that the lift is wired correctly and functional.

Procedure

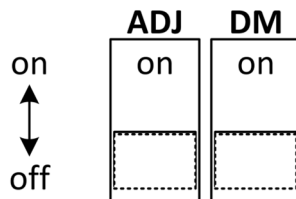
1. **Ensure motors are stopped.** Do not switch ADJ on while motors are running!
2. **Set DIP switch: ADJ = ON, DM = OFF.**



3. **Check all four indicator LEDs.** All four (two red, two green) should be illuminated.

Result	Action
All 4 LEDs ON	Wiring is correct. Switch ADJ off, proceed to Step 2.
One or more LEDs OFF	Check wire connections and cable connector positions. If both LEDs on one side are off, motor may be overheated — wait 10–15 min.

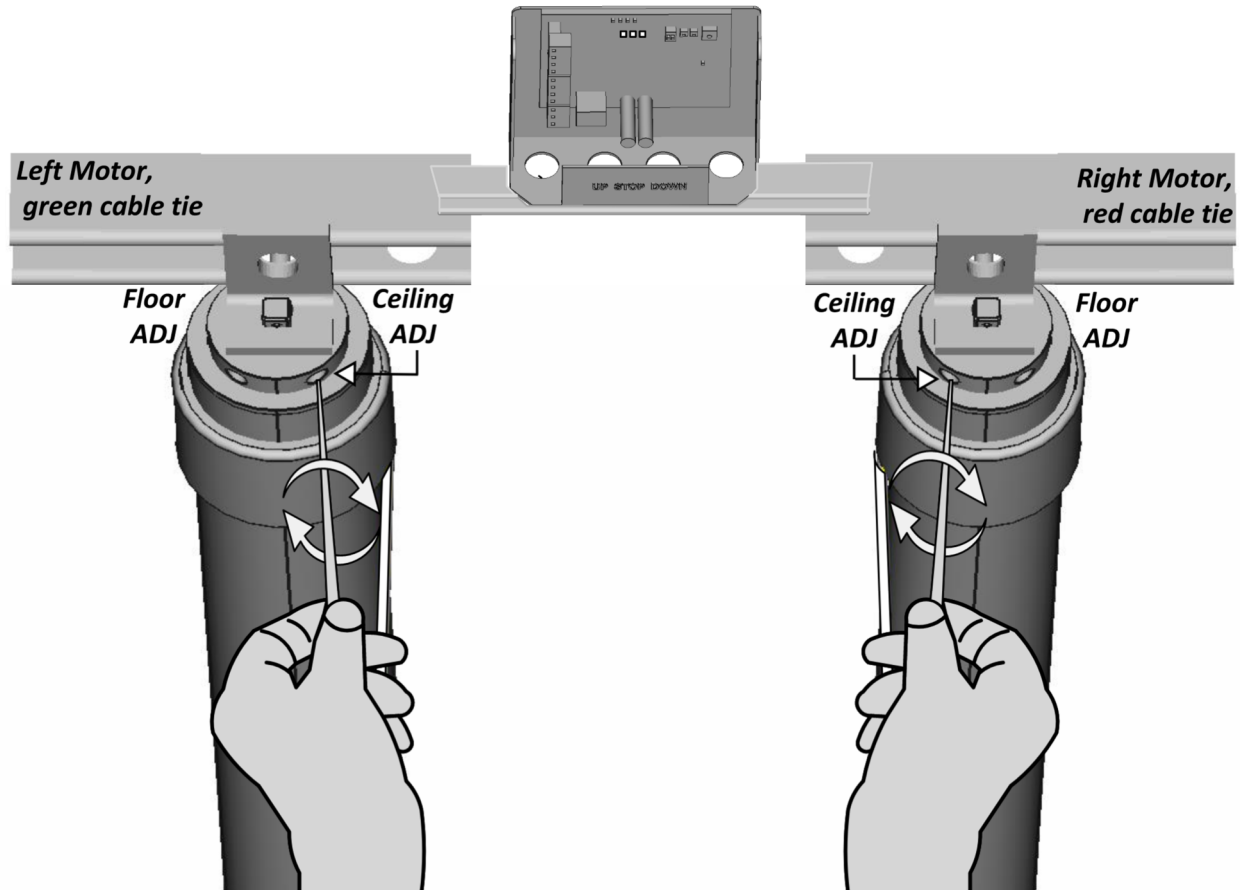
4. **After confirming all LEDs are on:** Switch ADJ off.
5. **DIP Switch Position: ADJ = OFF, DM = OFF.** Both must be OFF for motors to respond to commands during adjustment.



Step 2: Ceiling Adjustment

Procedure

1. **Press UP (button 1)** and let the motors run until the platform stops by itself. (DO NOT HOLD THE BUTTON)
2. Does the platform stop at or before your desired ceiling height?
If NO: Perform the Basic Setting procedure (Section 7.1) before continuing.
If YES: Continue below.
3. **Confirm the white LEDs are on.** If off, reactivate: press DOWN (3), let it run ~2 inches, press STOP (2), then press UP (1) and let the lift run until it stops. (The Controller times out after 150 seconds and this is to wake it back up.)
4. **Turn the inside adjustment screws on both motors in the + (clockwise) direction,** a minimum of 3 full turns or until desired height. (If the motor is not turning, you are turning in the wrong direction. Reverse.)



5. **Bring both motors to your desired ceiling height and level the platform.**

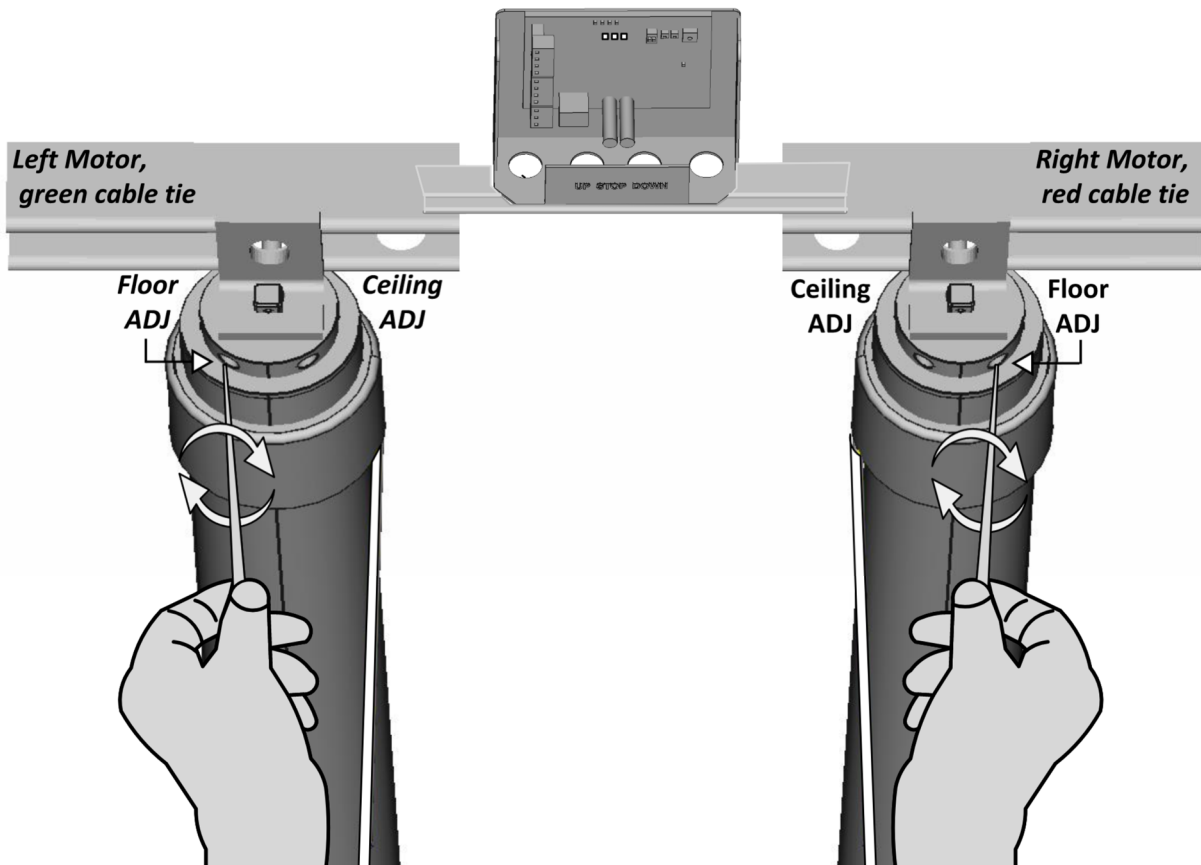
Step 3: Floor Adjustment

⚠ FLOOR CLEARANCE

Stop the floor adjustment 1/8 inch before the legs touch the floor! The legs must never contact the floor surface.

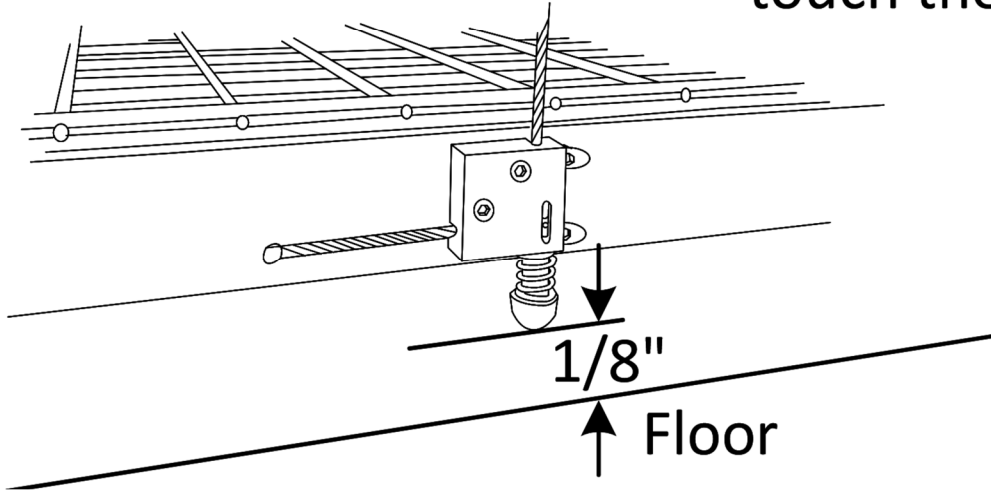
Procedure

1. **Press DOWN (button 3)** and let the motors run until the platform stops by itself.
2. Does the platform stop at or before your desired floor height?
If NO: Perform the Basic Setting procedure (Section 7.2) before continuing.
If YES: Continue below.
3. **Confirm the white LEDs are on.** If off, reactivate: press UP (1), let it run ~2 inches, press STOP (2), then press DOWN (3) and let the lift run until it stops.
4. **Turn the outside adjustment screws on both motors in the + (clockwise) direction,** a minimum of 3 full turns or until desired height. (If the motor is not turning, you are turning in the wrong direction. Reverse.)



5. **Bring both motors to your desired floor height and level.** Remember: stop 1/8 inch before the legs touch the floor!

Stop floor adjustment
1/8" before the legs
touch the floor!



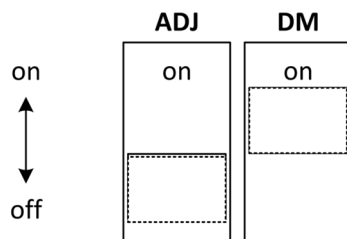
Step 4: Activate Deadman Function

⚠ ACTIVATE DEADMAN

After completing adjustment, you **MUST** switch DEADMAN (DM) back to ON. Set DIP switch: ADJ = OFF, DM = ON. This is for your safety!

Procedure

1. **DIP Switch Position: ADJ = OFF, DM = ON.**



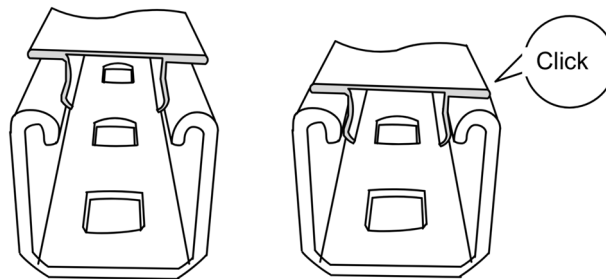
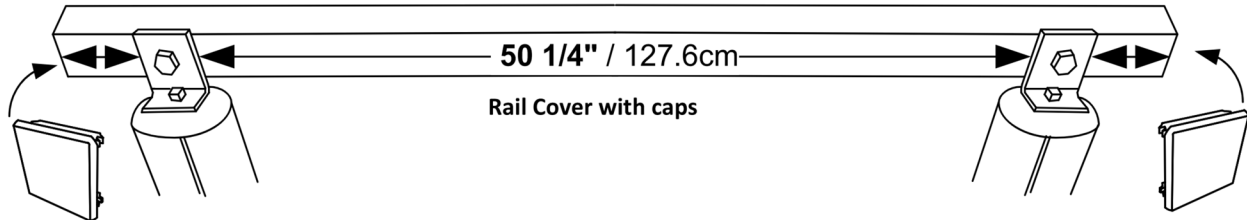
✓ Automatic Leveling

Hold the UP button until both motors stop at the ceiling position. This automatically levels the platform.

12. Step 8: Covers & Wire Mesh

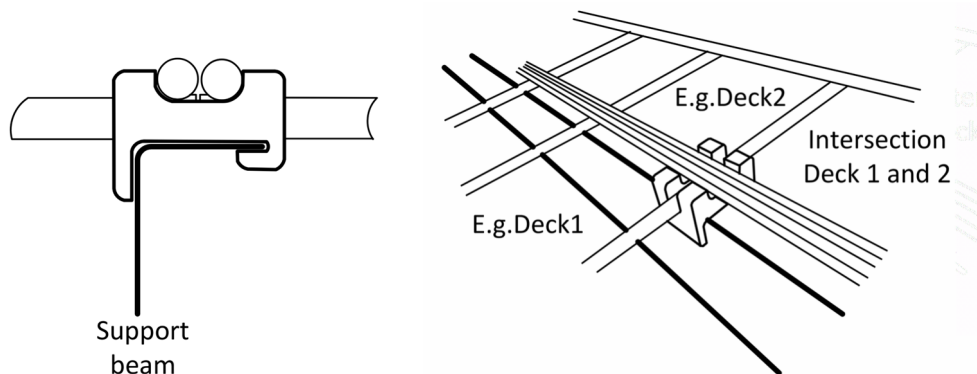
12.1 Install Strut Covers

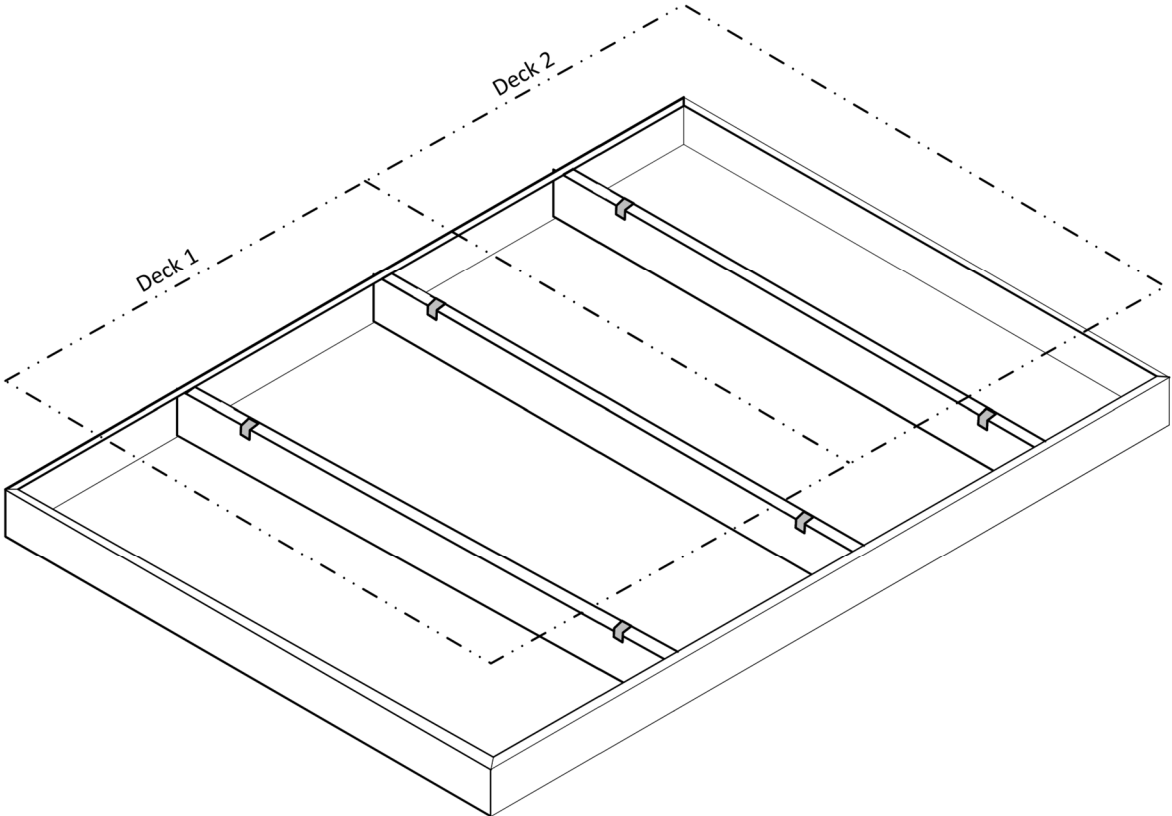
1. Slide the covers (2x) (013A) over any exposed strut channel sections. Trim to fit if necessary.
2. Attach end caps to both ends of each strut (4x) (03EA).
3. Verify the covers click securely into place.



12.2 Install Wire Mesh Platform

1. Snap in (6x) Wire mesh clips (037A) at support beams as shown below.
2. Place wire mesh panels (1210A) so that they intersect and sit on top of the wire mesh clips as shown below.

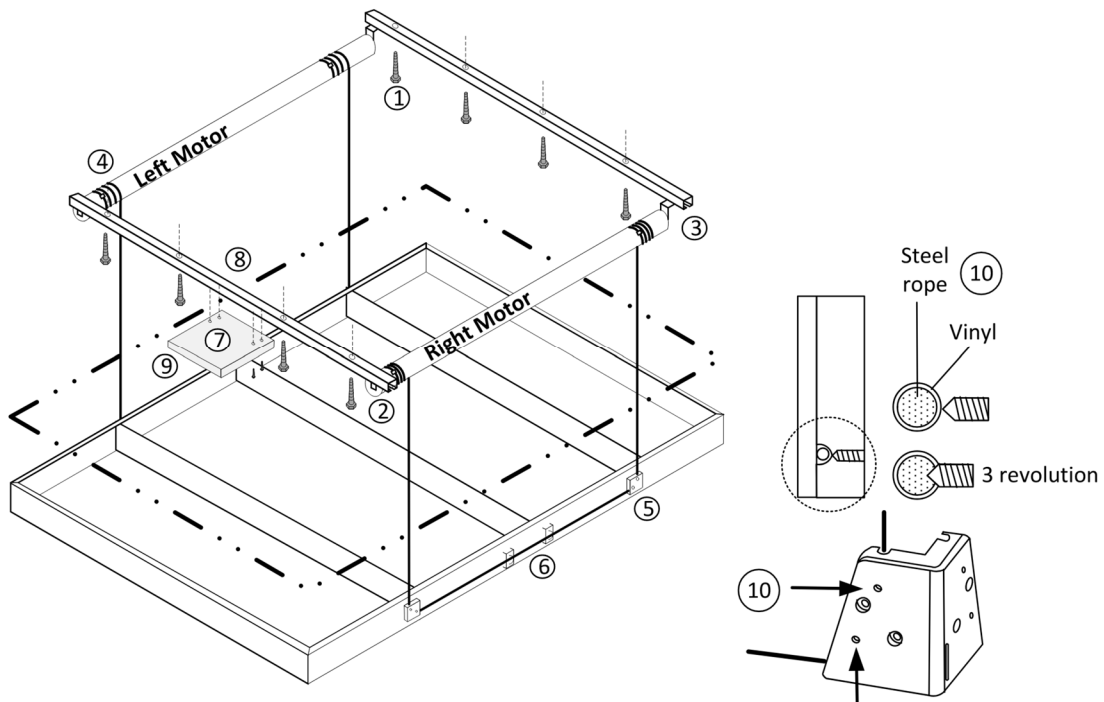




13. Inspection Checklist

Complete this checklist after installation and once per year thereafter. Mark alignment marks on parts that might shift over time (like motor mounts) using a permanent marker. Inspect all items, especially movement at alignment marks, annually.

#	Item	Qty	Done
1	Lag screws tightened	8x	<input type="checkbox"/>
2	Cotter pins installed and opened up	4x	<input type="checkbox"/>
3	12 mm bracket screws tightened	4x	<input type="checkbox"/>
4	All set screws tightened (motor area)	24x	<input type="checkbox"/>
5	All 6 mm screws tightened	28x	<input type="checkbox"/>
6	Wire clips tightened	8x	<input type="checkbox"/>
7	Electrical wires in correct order	11x	<input type="checkbox"/>
8	Electrical wires not laying on sharp corners	—	<input type="checkbox"/>
9	Controller switched on and functioning	—	<input type="checkbox"/>
10	All set screws tightened (frame area)	8x	<input type="checkbox"/>
11	Gap between the bracket and motor does not exceed 1/16" (1 mm)	—	<input type="checkbox"/>
12	DEADMAN function activated (DM = ON)	—	<input type="checkbox"/>
13	Grommets installed on all wire paths	—	<input type="checkbox"/>



14. Installation Video Reference

Scan the QR code or visit www.auxx-lift.com/installation-help for step-by-step video guides:



15. Controller Troubleshooting (if needed)

15.1 Power On

1. Connect the power cable to the outlet.
2. Switch on the controller using the power switch.
3. Verify LED DL1 (Power) is lit.

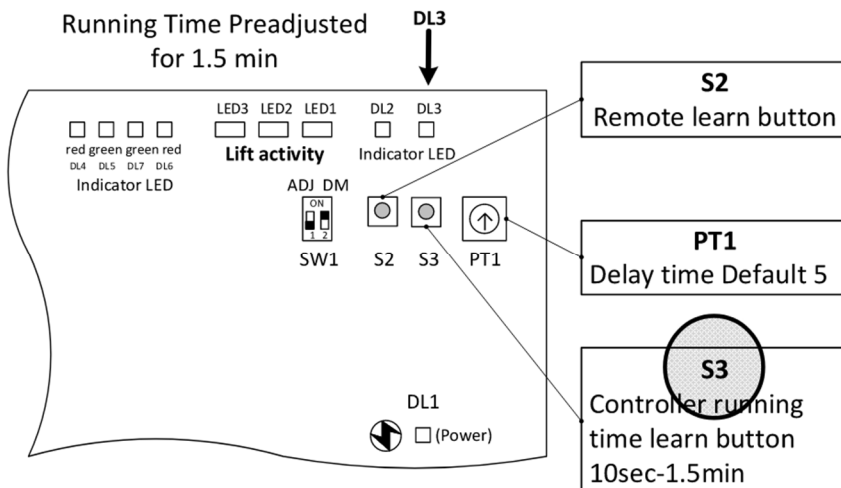
Problem	Check
DL1 is not lit after power on	Is the plug connected to the outlet?
	Is the outlet on a switch (and turned off)?
	Check the outlet works with another appliance.
	Check all wire connections at the controller.
	Disconnect from outlet and check fuses (10A and 1A).

15.2 Running Time Setup

The running time is pre-adjusted to 1.5 minutes (maximum). You can reprogram it if needed.

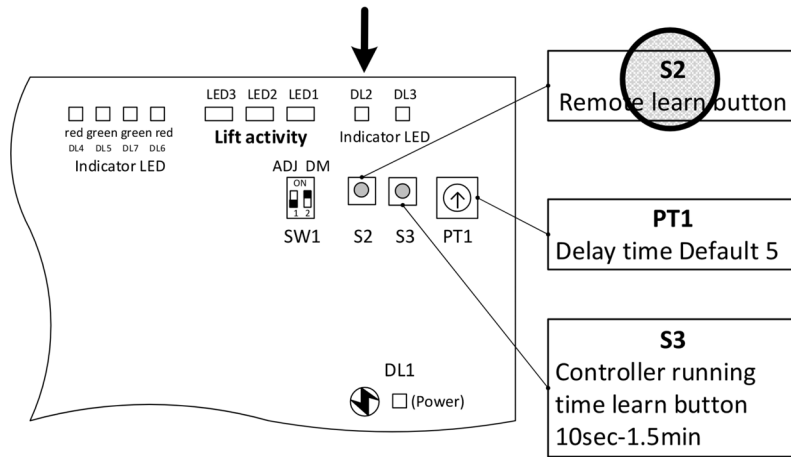
Action	Indicator
Press S3 (run time button)	LED DL3 starts to flash after 3 seconds
Hold S3 for desired time (10 sec – 1:30 min)	LED DL3 continues flashing
Release S3 when desired time is reached	LED DL3 stops flashing — running time is now set

Example: Press S3, wait for DL3 to start flashing, hold for 30 seconds, then release. Running time is now 30 seconds.



16. Remote Control Programming (if needed)

One-channel remotes are pre-set and should work out of the box. If you need to pair a new remote or add additional remotes, follow the procedure below.

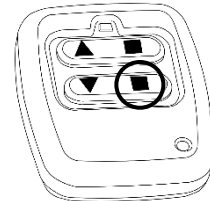


One-Channel Remote (4-button)

1. Click S2 on the controller (do not hold).
2. Click button 4 (Learn) on the remote control 2 times (do not hold).
3. Check: Is LED DL2 starting to flash?

If YES: Press UP and hold for 3 seconds. Done.

If NO: Check the remote battery (CR2032). Retry from step 1.

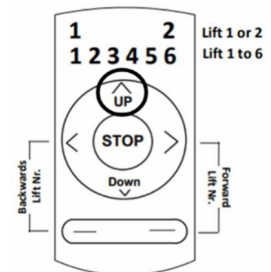


Multi-Channel Remote

1. Select the correct channel/lift number on the remote.
2. Click S2 on the controller (do not hold).
3. Click UP on the remote control 3 times (do not hold).
4. Check: Is LED DL2 starting to flash?

If YES: Press UP and hold for 3 seconds. Done.

If NO: Check the remote battery (CR2032). Retry from step 1.



Erase Remote Memory

Only do this if something is wrong with the remote programming:

- Push and hold S2 on the controller until LED DL2 switches off. All paired remotes are now erased.
- Re-pair all remotes using the procedures above.