

# AUXXLIFT

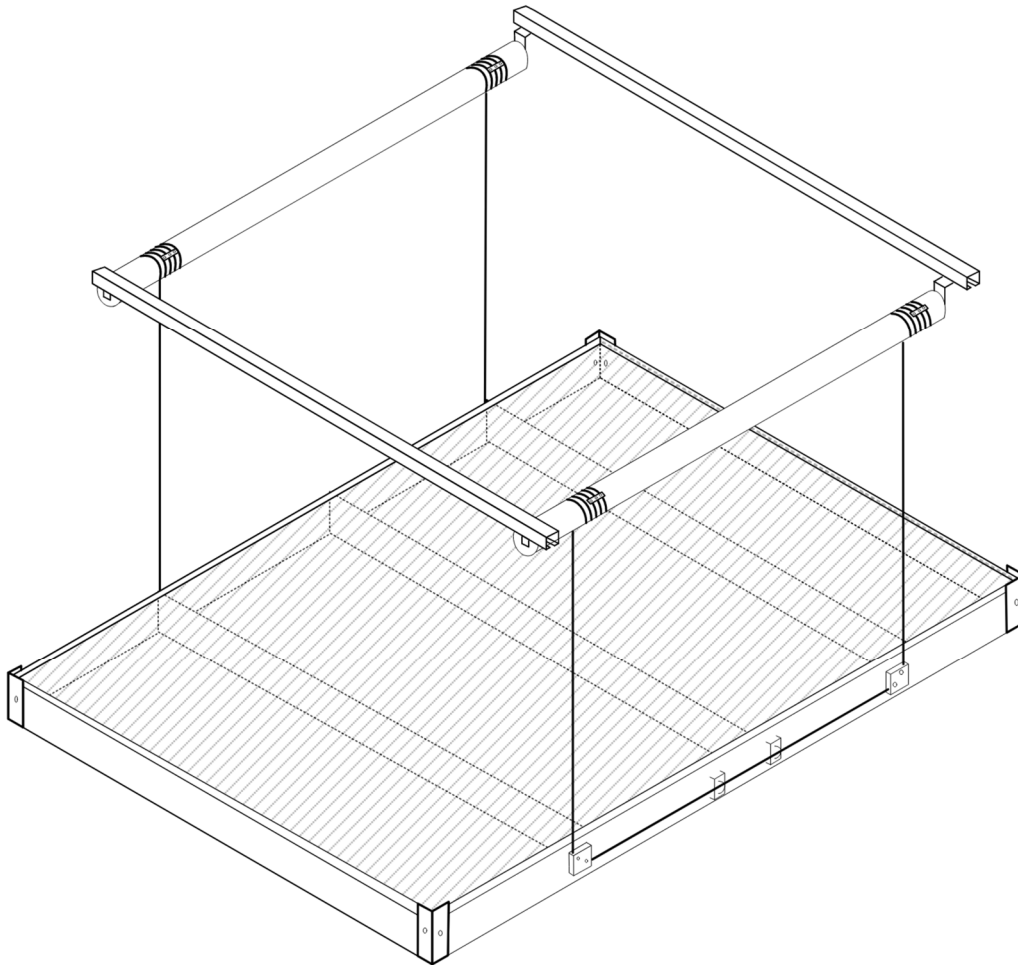
## 2400 / 2600 / 1800

### Adjustment Manual Only

Design and Quality — AUXXLIFT of the USA

All Rights Reserved • US Patent

Release 02/2026/SW — Revised Edition



Scan for Installation Videos!

#### **i Need Help?**

Visit [www.auxx-lift.com/installation-help](http://www.auxx-lift.com/installation-help) for installation videos.

Help phone: PST 9 AM – 5 PM, Mon-Sat, at 1-888-915-5797

[www.auxx-lift.com](http://www.auxx-lift.com)

## Table of Contents

1. Important Safety Information .....	4
Critical Safety Rules.....	4
2. Before You Begin.....	5
2.1 Tools Required .....	5
2.2 Estimated Time.....	5
2.3 Motor Identification: Left vs. Right.....	5
2.4 Motor Shapes by Weight Capacity.....	6
3. Controller Overview.....	7
3.1 Controller Layout .....	7
3.2 Understanding the White LEDs.....	7
3.3 DIP Switch States Quick Reference.....	8
3.4 Motor Status LEDs .....	8
3.5 Preventing Motor Overheat.....	8
Prevention.....	8
Detection.....	8
3.6 Remote Control .....	9
4. Adjustment Screw Information .....	10
4.1 Screw Locations .....	10
4.2 Understanding + and – Directions.....	10
4.3 Rotation Limits.....	10
5. Preparation .....	11
5.1 Prepare the Work Area .....	11
5.2 Check Your Installation.....	11
5.3 Wiring Reference.....	11
6. Adjustment Procedure.....	12
Step 1: Verify the Lift Assembly .....	12
Procedure .....	12
Step 2: Ceiling Adjustment (Do This First).....	13
Procedure .....	13
Step 3: Floor Adjustment (Do This Second).....	14
Procedure .....	14
Step 4: Activate Deadman Function .....	15
Procedure .....	15
7. Basic Setting (Reset Motor Adjustment).....	16
7.1 Ceiling Basic Setting.....	16

7.2 Floor Basic Setting ..... 16

8. Troubleshooting ..... 17

8.1 Lift Stopped Unexpectedly / Clicking Sound ..... 17

    Fix:..... 17

8.2 Clicking or Resistance When Turning Adjustment Screws ..... 17

# 1. Important Safety Information

## **⚠ READ BEFORE PROCEEDING**

The Auxlift is well-constructed and tested to safety standards. All parts are designed to fit together precisely. The motors are pre-adjusted for easier adjustment. Altering any parts will void the warranty.

### **Critical Safety Rules**

- **Never** cut the wire rope.
- **Never** move the cable clamps on the tubes to a different position.
- **Never** drill additional holes in any of the parts.
- **Never** use a drill for adjusting the motor adjustment screws.
- Do not change any material.
- After installation, check all screws for tightness.
- Before switching on the controller, verify all wiring connections.

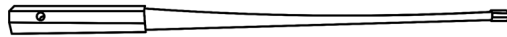
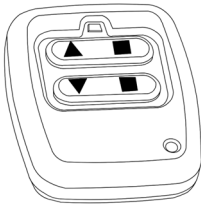
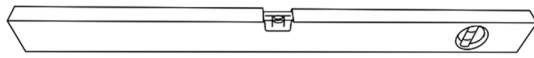
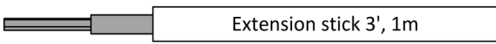
### **i DEADMAN Safety Feature**

During motor adjustment, the DEADMAN must be OFF. After adjustment is complete, you **MUST** switch it back ON.

The DEADMAN ensures the lift stops immediately when you release the remote control button. It is for your safety!

## 2. Before You Begin

### 2.1 Tools Required

Tool	Photo	Purpose
Adjustment Tool (provided)		Turning motor adjustment screws.
Remote Control (provided)		Moving lift up, down, stop, learn.
Level		Leveling the long beams and cross beams
Ladder	-	Reaching the controller and motors
Extension stick (optional)		Adjusting motors from the floor

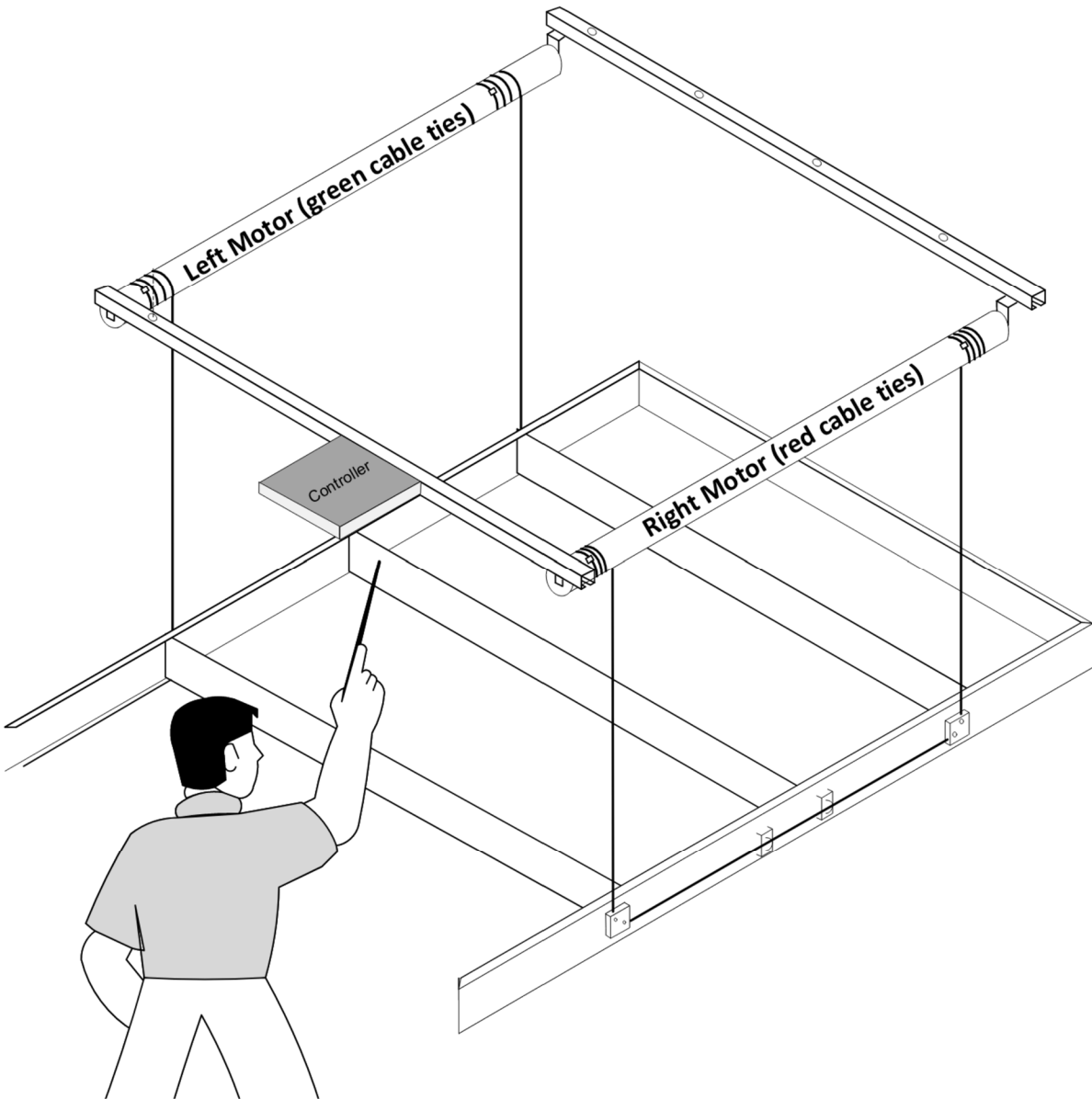
### 2.2 Estimated Time

The adjustment process typically takes 30–60 minutes for an experienced installer. Allow additional time if this is your first adjustment or if troubleshooting is needed. If motors overheat during the process, you will need to wait 10–15 minutes for them to cool.

### 2.3 Motor Identification: Left vs. Right

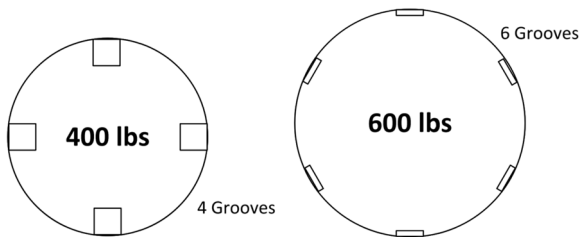
When standing underneath the controller and looking up toward the ceiling:

Motor	Zip Tie Color
Left Motor	Green
Right Motor	Red



## 2.4 Motor Shapes by Weight Capacity

- 400 lb capacity: Smaller motor with 4 grooves on the housing.
- 600 lb capacity: Larger motor with 6 grooves on the housing.



## 3. Controller Overview

### 3.1 Controller Layout

Familiarize yourself with the controller components before beginning adjustment:

Component	Label	Function
DIP Switch SW1	ADJ / DM	Position 1 = ADJ mode; Position 2 = DEADMAN
Power LED	DL1	Controller has power
Lift Activity LEDs	LED1–LED3	White LEDs: controller is active, motors can run
Indicator LEDs	DL2, DL3	Show lift direction
Motor Status LEDs	DL4–DL7	Red/green for left and right motor status
Remote Learn Button	S2	Pairs remote — do NOT use
Running Time Button	S3	Sets run time (10s–1.5min) — do NOT use
Delay Time Pot	PT1	Sets delay (default 5) — <b>only adjust if arrow is not pointing up</b>
Fuses	10A / 1A	Power protection
Power Switch	– / O	Main power on/off

#### **⚠ DO NOT TOUCH S2, S3**

These controls must not be adjusted during the motor adjustment process. Changing them can cause unexpected behavior.

### 3.2 Understanding the White LEDs

The white LEDs (LED1–LED3) indicate that the controller is active and ready to accept motor commands.

White LED State	Meaning	What to Do
ON	Controller active; motors respond to commands	Proceed with adjustment
OFF	Controller timed out (max 1.5 minutes)	Reactivate: If at ceiling: press DOWN, run ~2 inches, STOP, then press UP If at floor: press UP, run ~2 inches, STOP, then press DOWN

#### **i Controller Running Time**

The controller automatically shuts off after 1.5 minutes of continuous operation. If white LEDs turn off during adjustment, reactivate before the motor switches will respond.

### 3.3 DIP Switch States Quick Reference

Activity	ADJ (Pos 1)	DM (Pos 2)	Notes
Checking LEDs / wiring	ON	OFF	Motors do NOT run; LEDs show status
Running motors (adjustment)	OFF	OFF	Motors respond to UP/DOWN/STOP
Normal operation (post-adj.)	OFF	ON	DEADMAN active

#### **IMPORTANT**

Before switching ADJ on, always stop the motors first. Switching ADJ while motors are running can damage the controller.

### 3.4 Motor Status LEDs

With ADJ ON, four indicator LEDs show motor switch and wiring status (motors do not run in this mode):

LED	Color	Motor	Indicates
DL4 (far left)	Red	Left Motor — Inside screw	Ceiling adjustment status
DL5 (center-left)	Green	Left Motor — Outside screw	Floor adjustment status
DL7 (center-right)	Green	Right Motor — Outside screw	Floor adjustment status
DL6 (far right)	Red	Right Motor — Inside screw	Ceiling adjustment status

**Key rule:** All four LEDs must be ON for the motors to run. If any LED is off, check the corresponding adjustment screw and wiring.

### 3.5 Preventing Motor Overheat





#### Prevention

- Avoid running motors up and down repeatedly without pauses.
- Allow 1–2 minutes of rest between full-travel cycles.
- Plan your adjustments to minimize unnecessary motor travel.

#### Detection

- Switch ADJ on and check indicator LEDs.
- If both red and green LEDs on one side are off, that motor is overheated.
- Wait 10–15 minutes for the motor to cool. LEDs return when ready.
- Switch ADJ off before continuing.

## 3.6 Remote Control

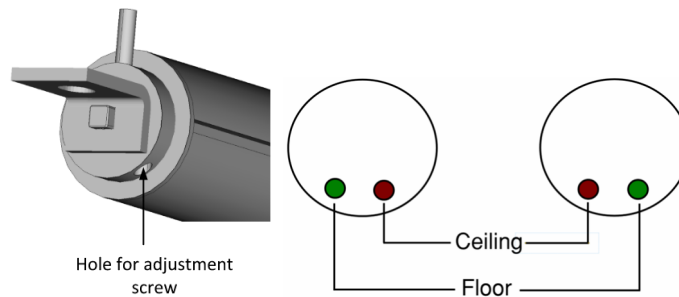
Button	#	Function
UP		Raises platform toward ceiling
STOP		Stops all motor movement
DOWN		Lowers platform toward floor
LEARN		Pairs remote (do not use during adjustment)

## 4. Adjustment Screw Information

### 4.1 Screw Locations

Each motor has two adjustment screws, accessed from below (all views looking toward the ceiling):

Adjustment Screw	Location	Controls	Direction for + (extend)
Inside screw	Closer to center of lift	Ceiling adjustment	Clockwise
Outside screw	Farther from center	Floor adjustment	Clockwise



### 4.2 Understanding + and – Directions

**+ (clockwise):** Extends travel range — platform stop-point moves closer to ceiling or floor.

**– (counter-clockwise):** Reduces travel range — platform stop-point moves away from ceiling or floor.

#### **i** When to Use Each Direction

**During initial adjustment: ONLY turn in the + (clockwise) direction.**

The – (counter-clockwise) direction is used ONLY for troubleshooting and resetting limits (see Section 7 and 8).

All adjustment screws on both motors work the same way: + = Clockwise, – = Counter-clockwise.

### 4.3 Rotation Limits

Do not exceed 2 complete rotations beyond the initial setting. If you feel clicking or resistance while turning, stop immediately — you have reached a limit.

## 5. Preparation

### 5.1 Prepare the Work Area

1. Remove the end beam from the platform frame for easier access.
2. Position your ladder underneath the controller.
3. Gather all tools from Section 2.1 within reach.

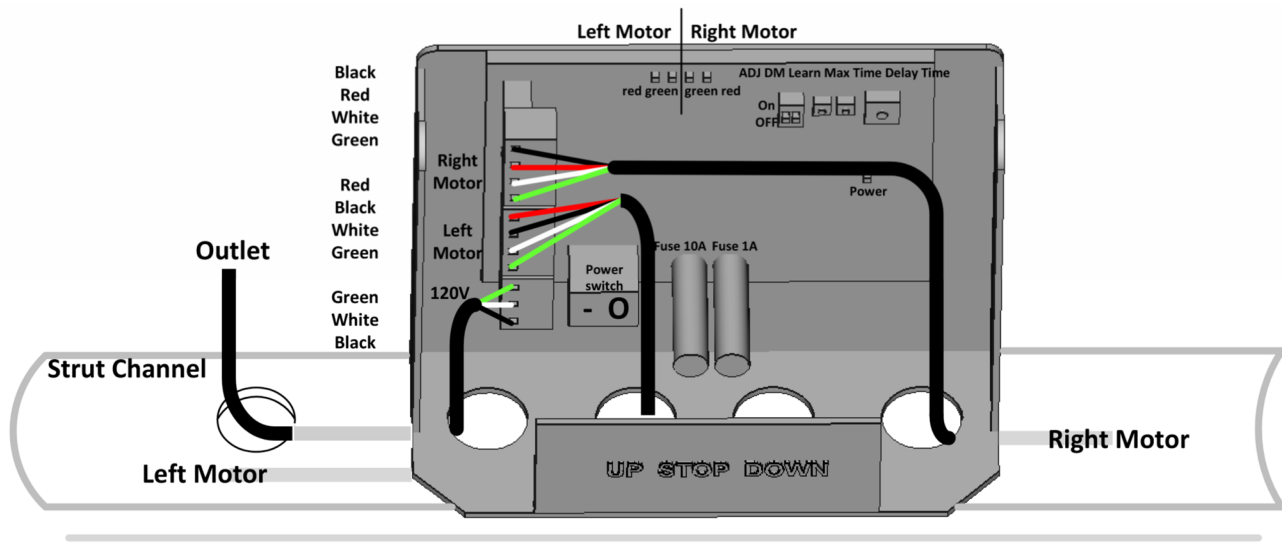
### 5.2 Check Your Installation

Verify the following before beginning adjustment:

1. Controller position: Mounted securely to the strut channel.
2. Wiring: All electrical wires connected in the correct order and routed properly.
3. Motor position: Left motor (green zip tie) and right motor (red zip tie) are in correct positions relative to the controller.
4. Wire rope: Positioned correctly, falling inward, evenly wrapped around motor tubes — no gaps, loops, or overlays. Wraps must be tight.
5. Strut channel: Correct location relative to the motor.
6. Power cord: Properly routed and connected.

### 5.3 Wiring Reference

Connection	Wire Colors (in order)
Right Motor to Controller	Black, Red, White, Green
Left Motor to Controller	Red, Black, White, Green
Power (120V) to Controller	Green, White, Black



## 6. Adjustment Procedure

The adjustment is performed in four steps. Complete each step in order.

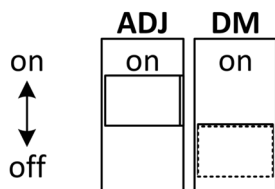
Step	Purpose
Step 1	Verify lift assembly and wiring
Step 2	Ceiling adjustment
Step 3	Floor adjustment
Step 4	Activate Deadman function

### Step 1: Verify the Lift Assembly

Confirm that the lift is wired correctly and functional.

#### Procedure

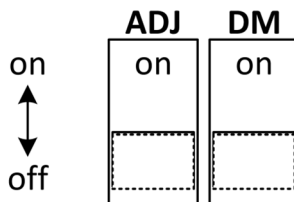
1. **Ensure motors are stopped.** Do not switch ADJ on while motors are running!
2. **Set DIP switch: ADJ = ON, DM = OFF.**



3. **Check all four indicator LEDs.** All four (two red, two green) should be illuminated.

Result	Action
All 4 LEDs ON	Wiring is correct. Switch ADJ off, proceed to Step 2.
One or more LEDs OFF	Check wire connections and cable connector positions. If both LEDs on one side are off, motor may be overheated — wait 10–15 min.

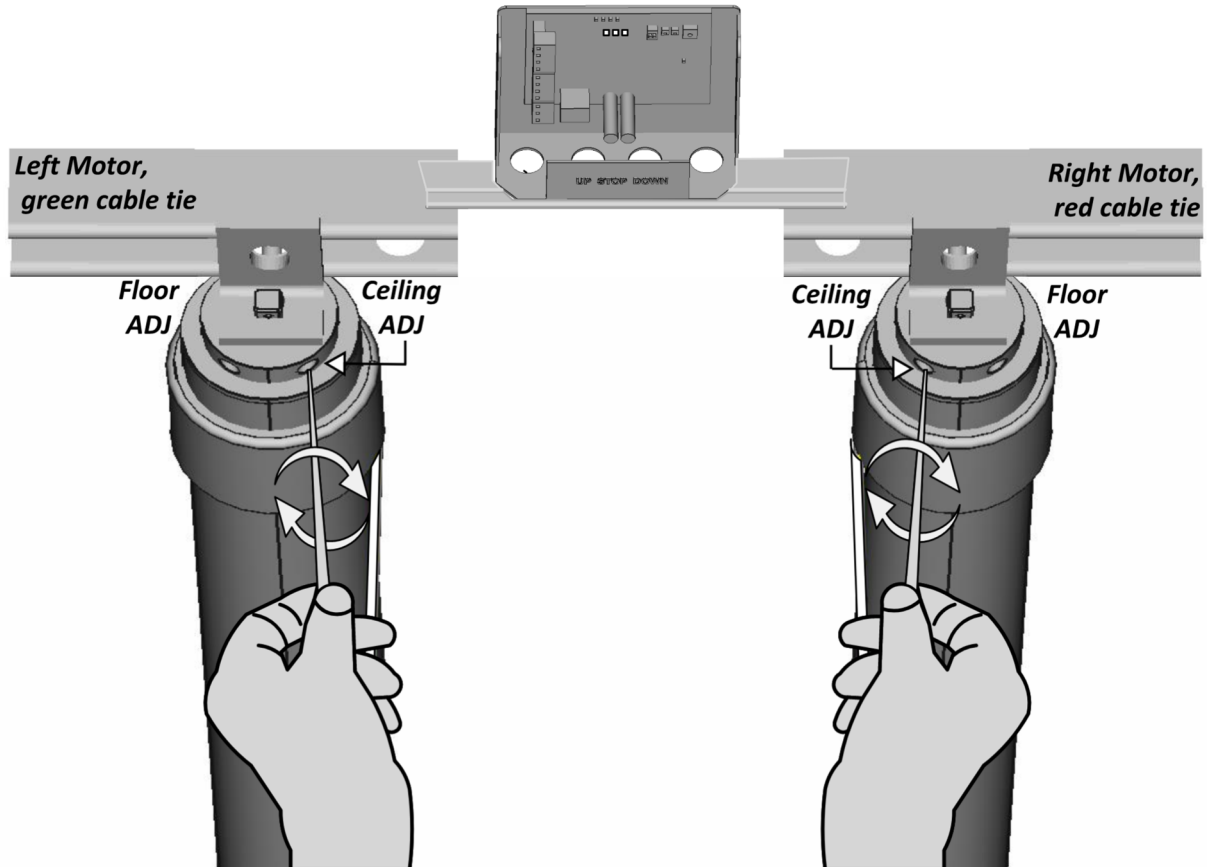
4. **After confirming all LEDs are on:** Switch ADJ off.
5. **DIP Switch Position: ADJ = OFF, DM = OFF.** Both must be OFF for motors to respond to commands during adjustment.



## Step 2: Ceiling Adjustment

### Procedure

1. **Press UP (button 1)** and let the motors run until the platform stops by itself. (DO NOT HOLD THE BUTTON)
2. Does the platform stop at or before your desired ceiling height?  
**If NO:** Perform the Basic Setting procedure (Section 7.1) before continuing.  
**If YES:** Continue below.
3. **Confirm the white LEDs are on.** If off, reactivate: press DOWN (3), let it run ~2 inches, press STOP (2), then press UP (1) and let the lift run until it stops. (Sometimes the Controller times out and this is to wake it back up.)
4. **Turn the inside adjustment screws on both motors in the + (clockwise) direction,** a minimum of 3 full turns or until desired height. (If the motor is not turning, you are turning in the wrong direction. Reverse.)



5. **Bring both motors to your desired ceiling height and level the platform.**

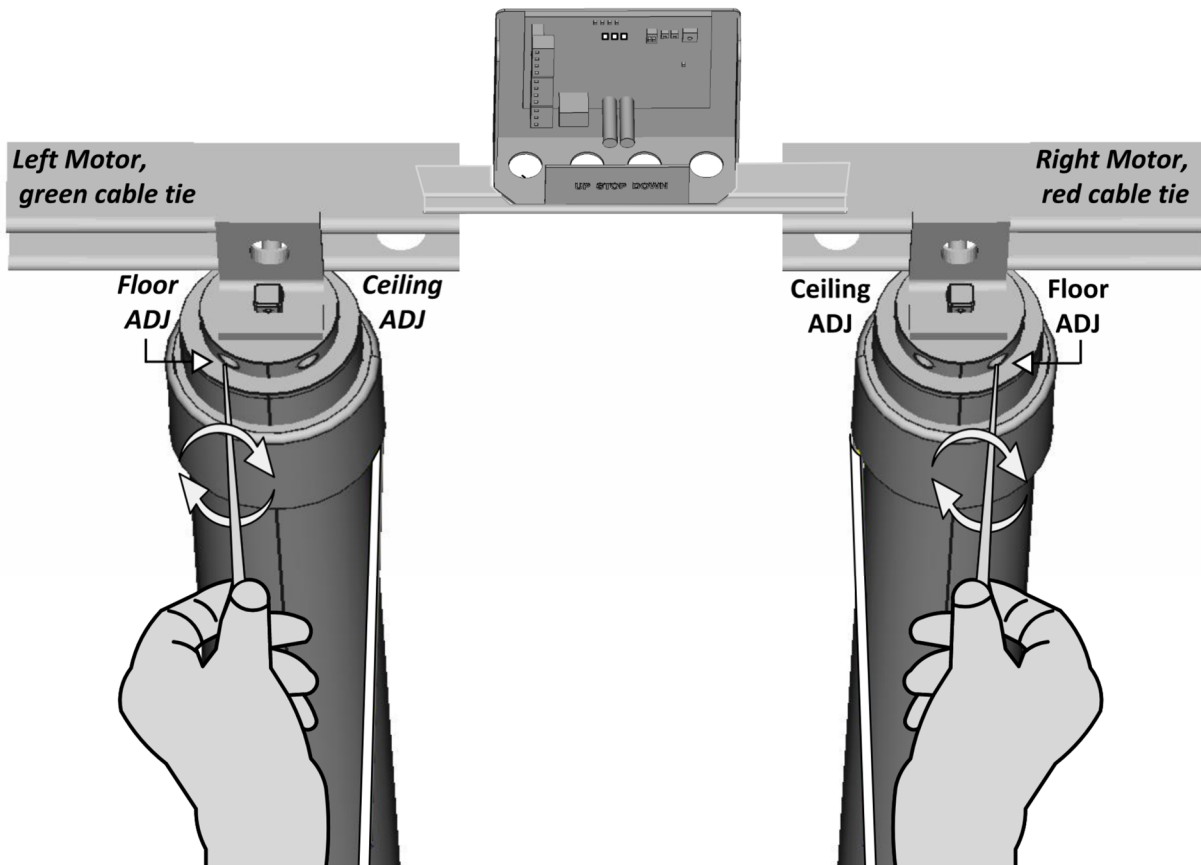
## Step 3: Floor Adjustment

### **⚠ FLOOR CLEARANCE**

Stop the floor adjustment 1/8 inch before the legs touch the floor! The legs must never contact the floor surface.

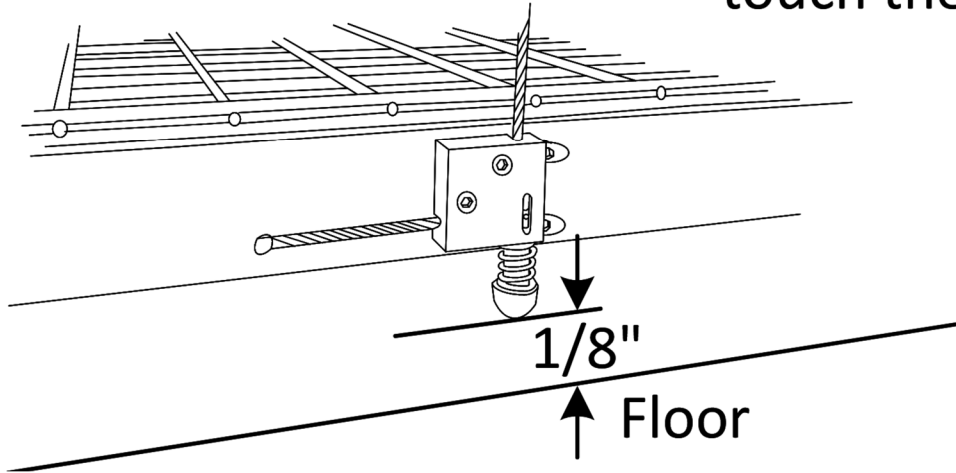
### Procedure

1. **Press DOWN (button 3)** and let the motors run until the platform stops by itself.
2. Does the platform stop at or before your desired floor height?  
**If NO:** Perform the Basic Setting procedure (Section 7.2) before continuing.  
**If YES:** Continue below.
3. **Confirm the white LEDs are on.** If off, reactivate: press UP (1), let it run ~2 inches, press STOP (2), then press DOWN (3) and let the lift run until it stops.
4. **Turn the outside adjustment screws on both motors in the + (clockwise) direction,** a minimum of 3 full turns or until desired height. (If the motor is not turning, you are turning in the wrong direction. Reverse.)



5. **Bring both motors to your desired floor height and level.** Remember: stop 1/8 inch before the legs touch the floor!

Stop floor adjustment  
1/8" before the legs  
touch the floor!



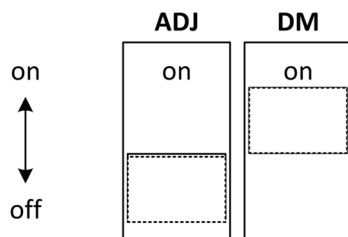
### Step 4: Activate Deadman Function

#### **⚠ ACTIVATE DEADMAN**

After completing adjustment, you MUST switch DEADMAN (DM) back to ON. Set DIP switch: ADJ = OFF, DM = ON. This is for your safety!

#### Procedure

1. **DIP Switch Position: ADJ = OFF, DM = ON.**



#### **✓ Automatic Leveling**

Hold the UP button until both motors stop at the ceiling position. This automatically levels the platform.

## 7. Basic Setting (Reset Motor Adjustment)

Use this procedure if the ceiling or floor adjustment did not stop at your desired height, or if you need to start from scratch. This can be performed at any platform position.

### 7.1 Ceiling Basic Setting

1. Stop the motors at your desired ceiling height via remote control. If not level, bring the higher side to your desired height.
2. **Switch ADJ on.**
3. **Turn the inside adjustment screws in – (counter-clockwise)** until the red LED switches off. Stop.
4. **Turn the same adjustment screws in + (clockwise)** until the red LED switches back on. Stop immediately.
5. Repeat steps 3–4 for the other motor.
6. **Switch ADJ off.**
7. Press DOWN (3), let it run ~3 inches, STOP (2), then UP (1) until the platform stops by itself.
8. Proceed to Ceiling Adjustment (Section 6. Step 2).

### 7.2 Floor Basic Setting

1. Bring the platform toward the floor. Stop approximately 1 foot above the floor.
2. **Switch ADJ on.**
3. **Turn the outside adjustment screws in – (counter-clockwise)** until the green LED switches off. Stop.
4. **Turn the same adjustment screws in + (clockwise)** until the green LED switches back on. Stop immediately.
5. Repeat steps 3–4 for the other motor.
6. **Switch ADJ off.**
7. Press UP (1), let it run ~3 inches, STOP (2), then DOWN (3) until the platform stops by itself.
8. Proceed to Floor Adjustment (Section 6. Step 3).

#### **FLOOR CLEARANCE REMINDER**

Set the floor adjustment so the legs stop 1/8 inch above the floor. The legs must never touch the floor.

## 8. Troubleshooting

### 8.1 Lift Stopped Unexpectedly / Clicking Sound

Three possible causes:

Cause	How to Check	Solution
Loose cable on controller connector	Inspect green controller connectors	Reseat cable connections firmly
Motor adjustment switch tripped	ADJ on: check which LED is off	Turn corresponding adjustment screws + (CW) until LED returns
Motor overheated	ADJ on: both LEDs on one side off	Wait 10–15 minutes to cool

#### Fix:

##### Stopped while going UP (ceiling direction):

- Switch ADJ on. Find which red LED is off. Turn that motor's inside **adjustment screws** + (CW) until the red LED returns. Switch ADJ off.

##### Stopped while going DOWN (floor direction):

- Switch ADJ on. Find which green LED is off. Turn that motor's outside **adjustment screws** + (CW) until the green LED returns. Switch ADJ off.

**Remember:** All four LEDs must be on for the motors to run.

### 8.2 Clicking or Resistance When Turning Adjustment Screws

If you feel mechanical clicking or resistance while turning a switch, stop immediately. Do not force it.

1. Turn the **adjustment screw** in the + (clockwise) direction. (Never use a drill for adjustment!)
2. Check motor wiring connections.
3. If the problem persists, contact Auxlift service.