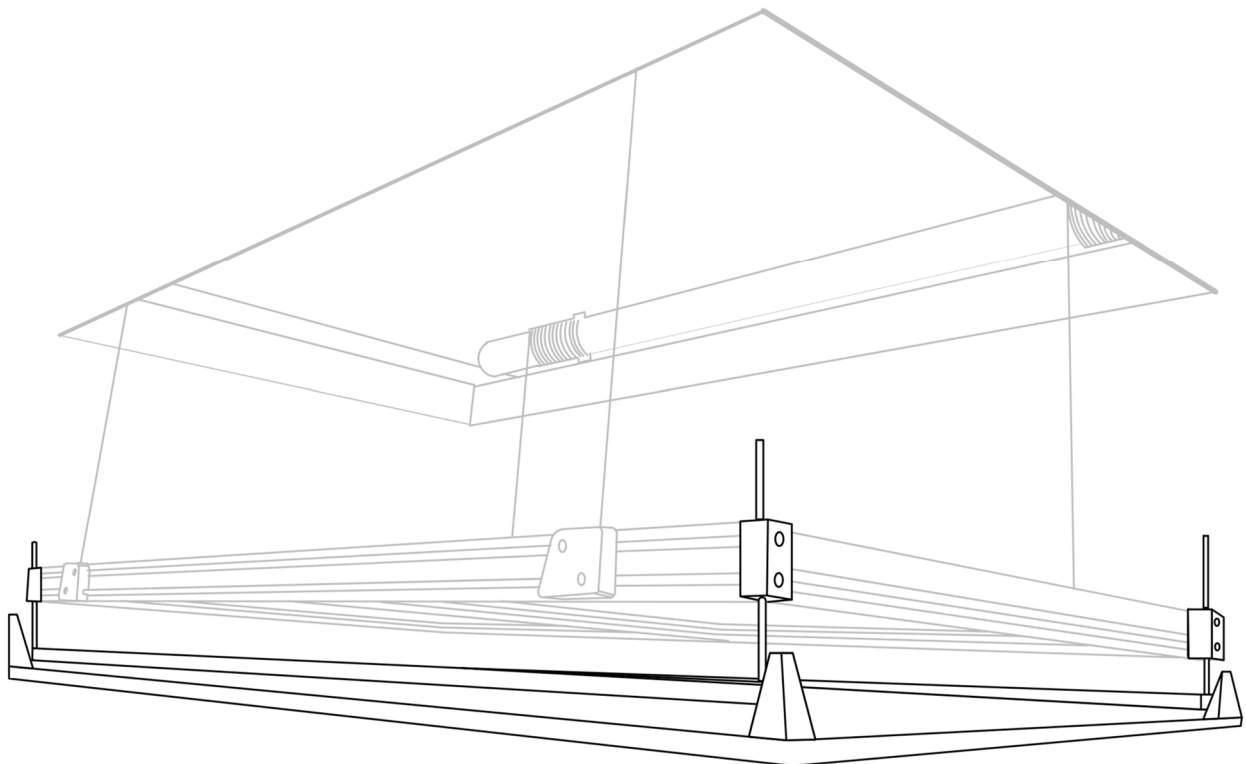


# AUXXLIFT

## Attic Cover

### Installation Guide

Design and Quality — AUXXLIFT of the USA  
All Rights Reserved • US Patent  
Release 04/2026/SW — Revised Edition



#### **i Need Help?**

Visit [www.auxx-lift.com/installation-help](http://www.auxx-lift.com/installation-help) for installation videos.

Help phone: PT 9 AM – 5 PM, Mon-Sat, at 1-888-915-5797

[www.auxx-lift.com](http://www.auxx-lift.com)

## Table of Contents

1. Before You Start .....	3
1.1 Pre-Installation Checklist .....	3
1.2 Important Rules .....	3
2. Recommended Tools .....	4
3. Parts List.....	5
4. Cover Types.....	7
4.1 Lay-On Cover (rests on top of the attic opening) - Recommended .....	7
4.2 Inlay Cover (sits flush inside the attic opening) .....	7
4.3 Inlay Cover with Fire Protection (Optional).....	8
4.4 Joist Size Considerations .....	8
5. Step 1: Prepare the Platform.....	10
5.1 Take Measurements .....	10
5.2 Install End Caps .....	10
6. Step 2: Install Threaded Rods and Springs .....	12
6.1 Assemble the Threaded Rod Mechanism .....	12
Assembly Order (Bottom to Top).....	12
7. Step 3: Install T-Slotted Framing Rails .....	13
7.1 Install Angle Brackets .....	13
7.2 Adjust Threaded Rod Height.....	14
8. Step 4: Adjust Cover Beam Height.....	15
8.1 Set the Floor Limit .....	15
8.2 Adjust the Cover Beam Position .....	16
9. Step 5: Install the Cover .....	17
9.1 Lay-On Cover Installation .....	17
9.2 Inlay Cover Installation .....	18
9.3 Inlay Cover with Rabbets (Optional – not included) .....	19
10. Step 6: Final Adjustment and Safety .....	21
10.1 Tension Adjustment.....	21
10.2 Cut Threaded Rods and Install Crown Nuts.....	21
11. Inspection Checklist .....	22

## 1. Before You Start

### **⚠ READ COMPLETELY BEFORE BEGINNING**

Read through all instructions before starting the installation.

The most important part is to follow the instructions and read everything carefully before you start.

### 1.1 Pre-Installation Checklist

1. Have you read through the entire instructions?
2. Do you have all the recommended tools?
3. Do you have somebody assisting you?
4. Have you allocated enough time?
5. Do you have a good, stable ladder?

### 1.2 Important Rules

- **Do not** use an impact driver.
- Clean the work area before you start.
- Wear safety glasses at all times.
- Keep the work area clear of obstructions.
- Double-check all measurements during the installation.

#### **i Prerequisites**

The Auxlift attic lift must be fully installed and adjusted before installing the attic cover. Refer to the Auxlift Attic Lift Adjustment Manual for motor adjustment procedures.

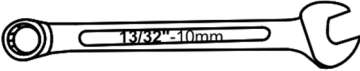

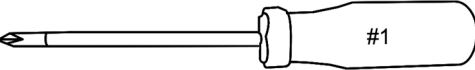
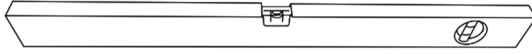
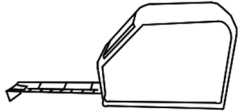

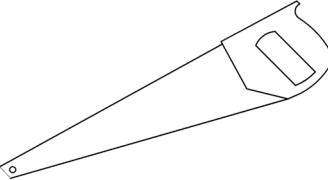
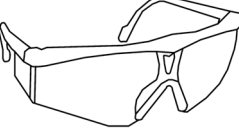
#### **i Need Help?**

Visit [www.auxx-lift.com/installation-help](http://www.auxx-lift.com/installation-help) for installation videos.

Help phone: PT 9 AM – 5 PM at 1-888-915-5797


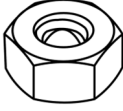


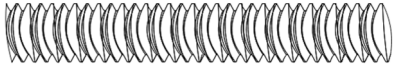
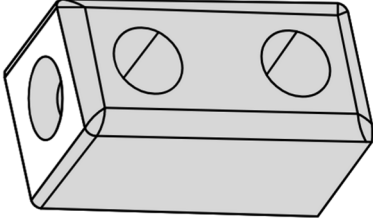
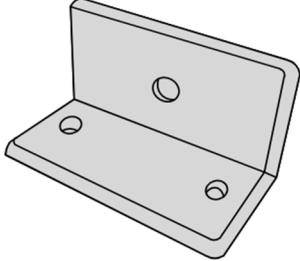


[www.auxx-lift.com](http://www.auxx-lift.com)

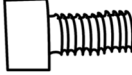

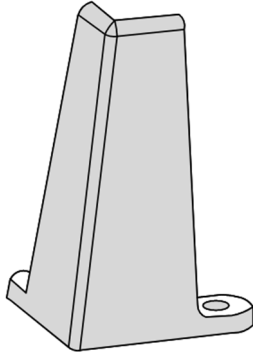
## 2. Recommended Tools

Tool	Image	Purpose
Wrench – 13/32" (10 mm)		Tightening nuts on threaded rods
Allen key (hex wrench) - 5/32" (4 mm)		End caps, T-slotted framing bolts
Philips screwdriver #1		Bracket screws
Level (24–48")		Leveling the cover
Tape measure		Measurements between platform and attic opening
Pencil		Marking cut lines and positions
Saw (for inlay cover)		Cutting cover material to fit attic opening
Safety glasses		Eye protection (required!)
Ladder (as needed)	-	Accessing the attic opening from below

### 3. Parts List

Verify all parts are included before beginning installation.

Qty	Description	Image
4	Acorn (crown) nuts (M6)	
8	Hex nuts (M6)	
8	Flat washers (1/4")	
4	Springs (1/4" x 3")	
4	Threaded rods (M6, 20" long)	
4	End caps (pre-installed)	
6 or 8	Angle brackets (6 for small; 8 for large)	
20	Screws (for angle brackets and corners) 1/4" x 3/4"	
8	Screws (M6 x 20) for end caps	

6	Screws for angle bracket connection to T-slotted Framing Rails (M6)	
6 or 8	Brackets (6 for small; 8 for large)	
2	T-Slotted Framing Rails (1" x 1")	
4	Corners (inlay cover only)	
0	Platform (cover material)	Not included. Customer to source.

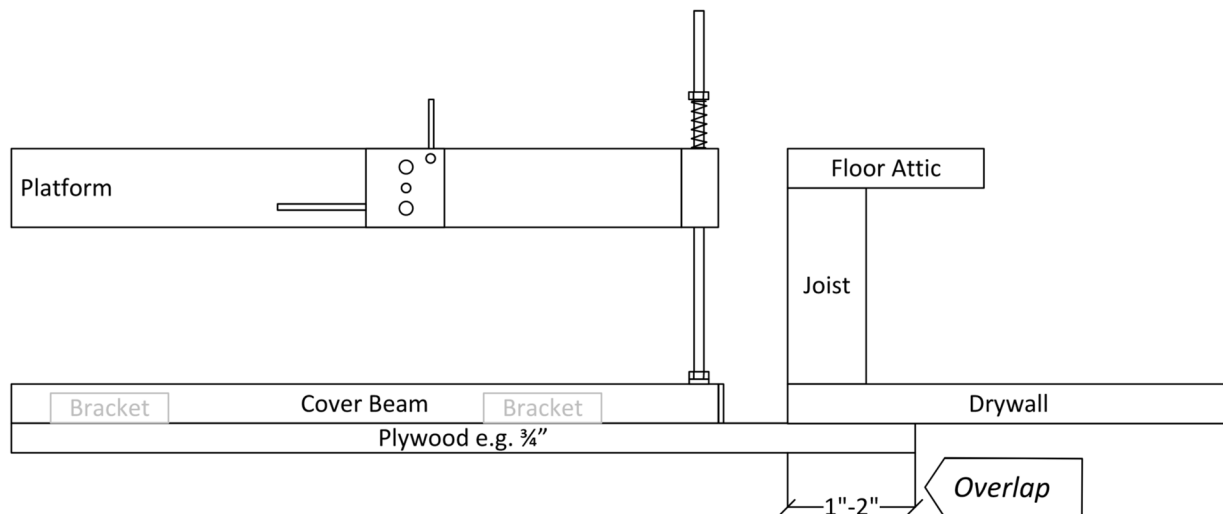
## 4. Cover Types

There are two cover configurations depending on your attic opening and preference. Choose the type that best fits your installation before beginning. We recommend lay-on cover for ease of install.

### 4.1 Lay-On Cover (rests on top of the attic opening) - Recommended

The lay-on cover rests on top of the attic opening frame. The cover extends 1"–2" beyond the edges of the attic opening on all sides, creating an overlap that sits on the surrounding floor or drywall.

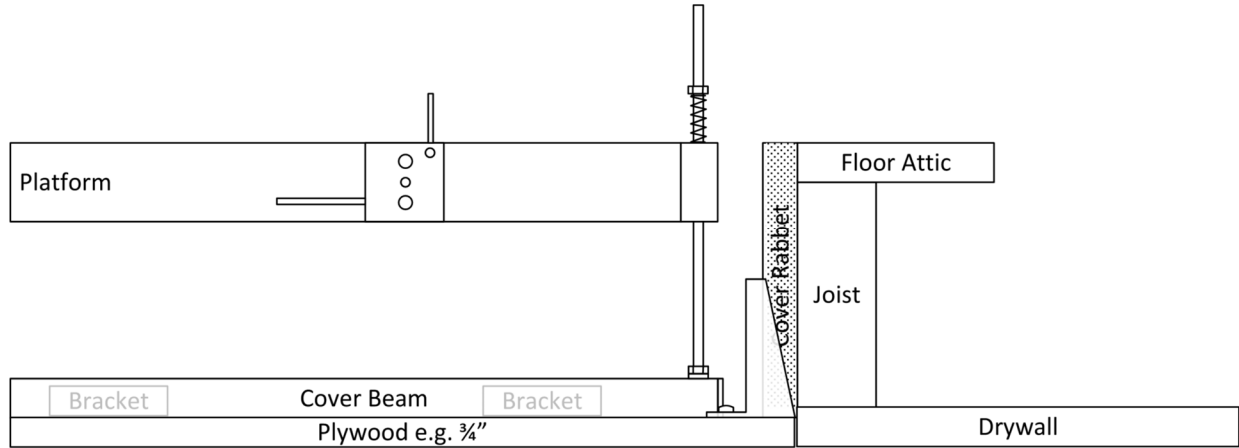
- Best for: Standard attic openings with a flat surrounding surface.
- **Advantage: Simpler to install;** no cutting required for the cover itself.
- Cover size: Attic opening dimensions plus 1"–2" overlap on each side.



### 4.2 Inlay Cover (sits flush inside the attic opening)

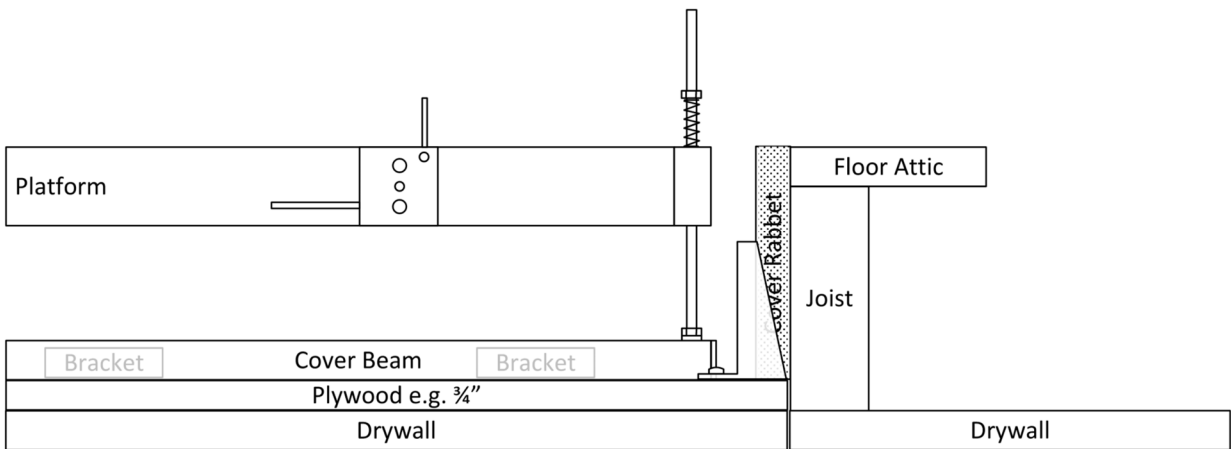
The inlay cover sits inside the attic opening, flush with or slightly below the surrounding floor surface. The cover is cut to match the exact dimensions of the attic opening.

- Best for: Installations where a flush finish is desired.
- Advantage: Cleaner appearance.
- Cover size: Matches the attic opening dimensions exactly.
- Requires: Cutting the cover material to fit the attic opening shape.
- Disadvantage: More difficult installation and there is a need for cover rabbet.



### 4.3 Inlay Cover with Fire Protection (Optional)

For fire-rated installations, additional fire rated drywall can be added if needed. The drywall is not included with the attic cover kit and must be sourced separately. Review with a drywall contractor to make sure fire ratings are maintained.



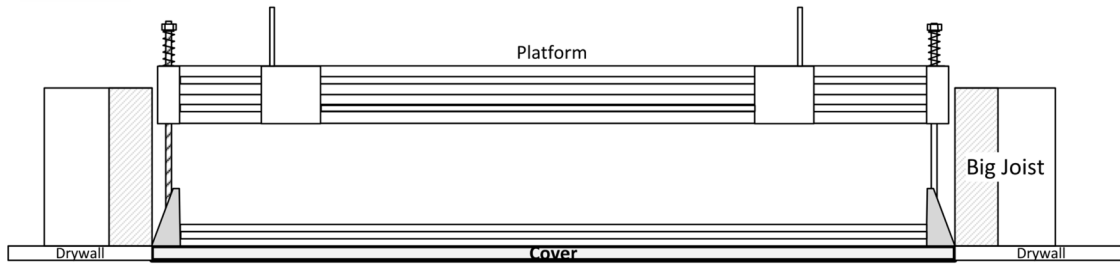
### 4.4 Joist Size Considerations

The cover configuration may vary depending on your joist size:

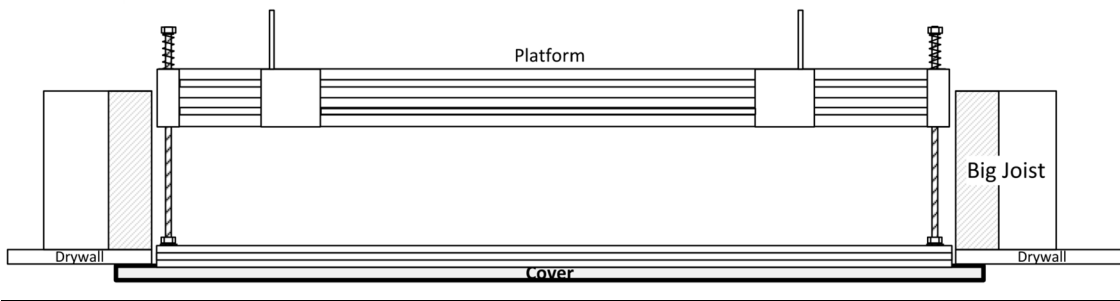
Joist Type	Inlay Option	Lay-On Option
Big joist (deeper)	Cover sits inside the opening with room for rabbets	Cover lays on top of surrounding surface
Small joist (shallower)	Cover sits inside; may need thinner cover material	Cover lays on top; may extend above surrounding surface slightly

**Big Joist:**

*Inlay option*

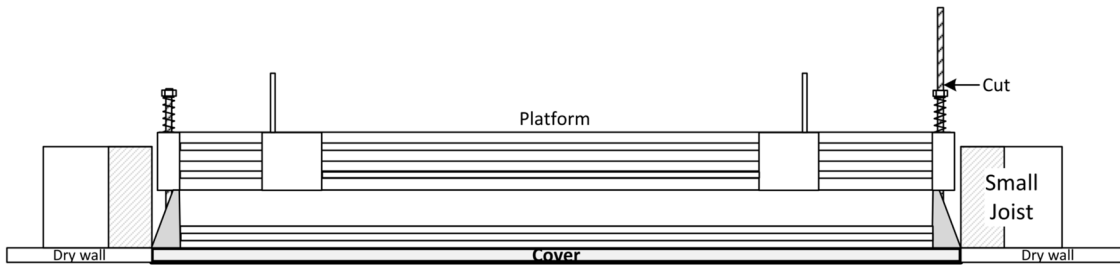


*Lay-On option*

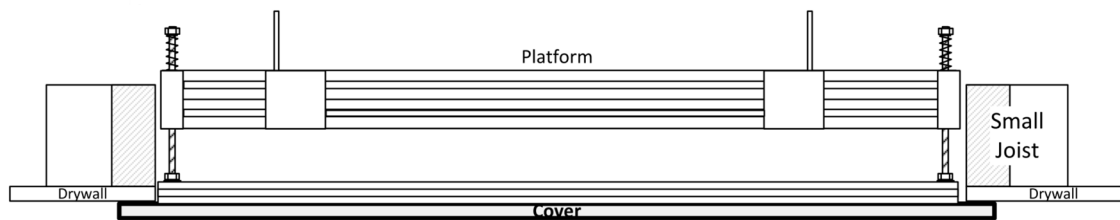


**Small Joist:**

*Inlay option*



*Lay-On option*



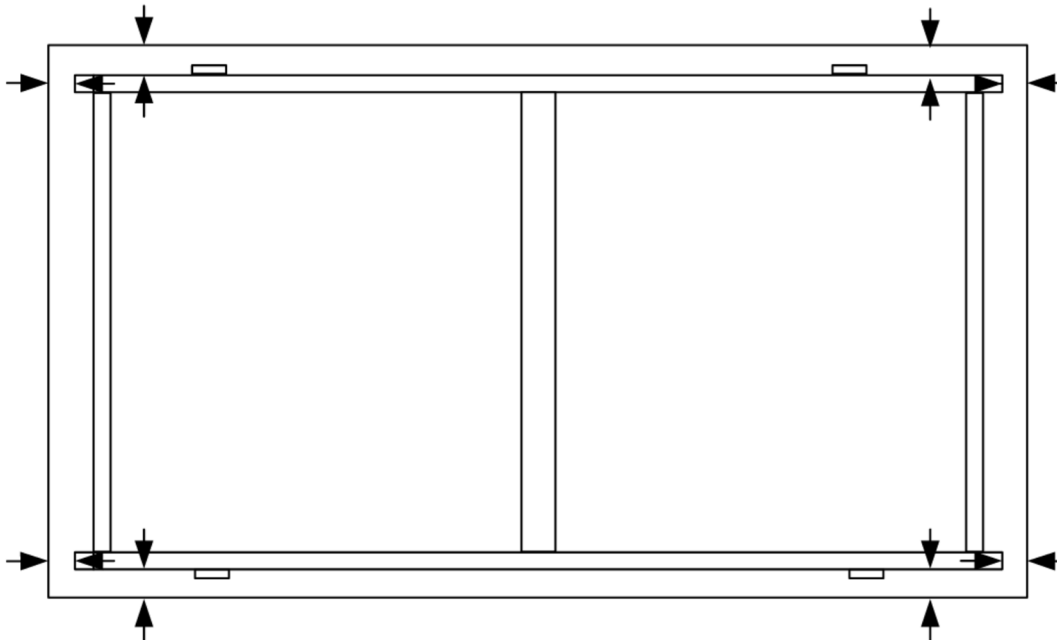
## 5. Step 1: Prepare the Platform

### **i** PREREQUISITE

The lift must be fully installed and adjusted before beginning the attic cover installation. Verify that the motor adjustment is complete and the DEADMAN function is active.

### 5.1 Take Measurements

1. Raise the platform to the attic opening.
2. Measure the distance between the platform frame and the attic opening on all four sides.
3. Record these measurements — you will need them for positioning the cover beams and cutting the cover material.

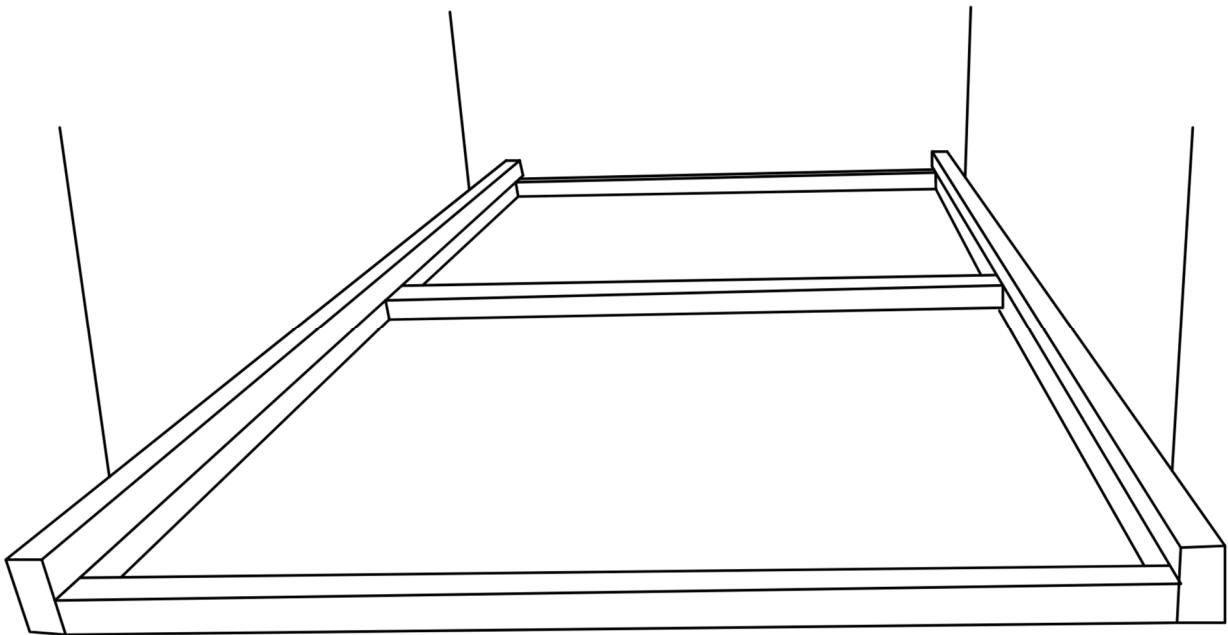
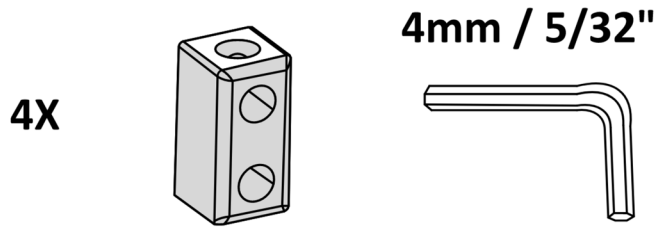
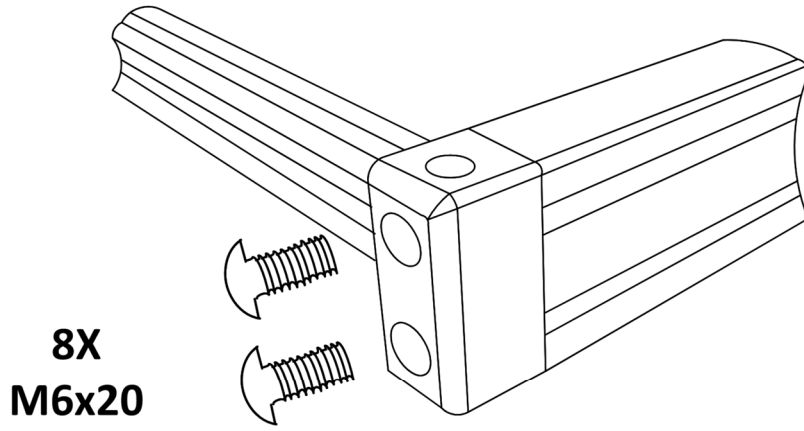


### 5.2 Install End Caps

1. Install the 4 end caps onto the platform frame corners.
2. **The small hole on each end cap must face upward** (toward the attic).
3. Secure each end cap with 2 screws (M6x20), totaling 8 screws.

#### ✓ Tip

Raise the platform approximately 3 feet off the floor to conveniently remove or install the wooden platform, in case the cover is not yet attached.



## 6. Step 2: Install Threaded Rods and Springs

### 6.1 Assemble the Threaded Rod Mechanism

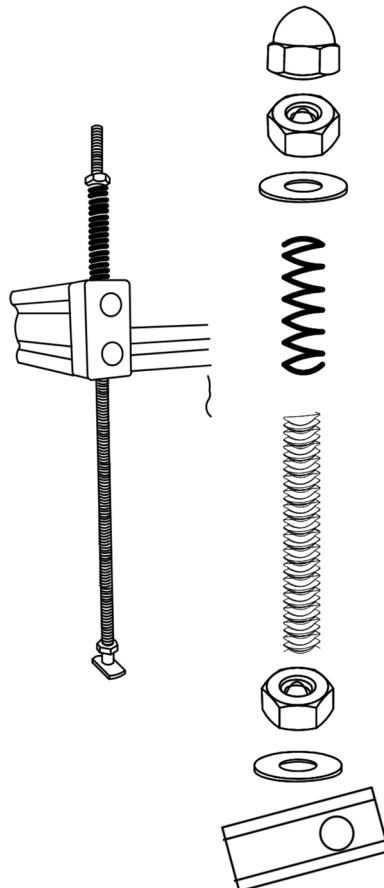
Each corner of the platform gets one threaded rod assembly (4 total). The threaded rod mechanism allows you to adjust the height of the cover beams relative to the platform.

#### Assembly Order (Bottom to Top)

1. Insert the threaded rod through the end cap (mounting block) on the platform.
2. At the bottom of the rod, install the nut, washer, and bracket. (Assemble in the order shown in the diagram below)
3. At the top of the rod, slide the spring and washer onto it. Then install the hex nut. (Assemble in the order shown in the diagram below)
4. The threaded rod extends upward through the end cap. The upper portion will be cut to length later.
5. Note: the acorn (crown) nut will be installed later after cutting the threaded rod to length.

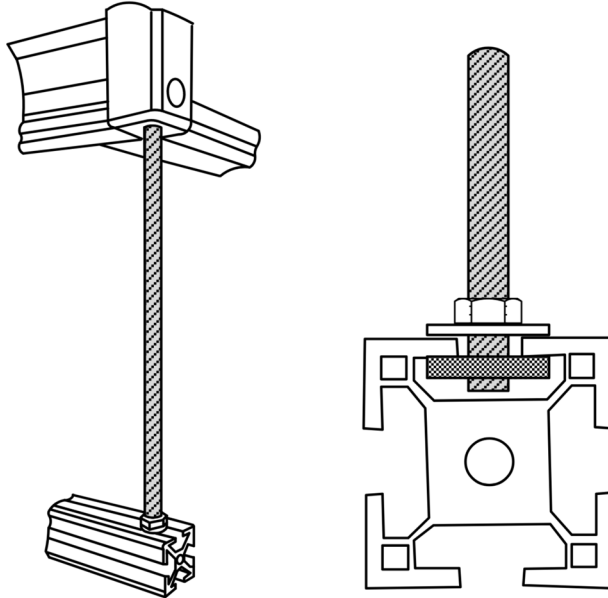
#### **⚠ DO NOT CUT THE THREADED ROD YET**

The threaded rods will be trimmed to final length in Section 10 after all adjustments are complete.



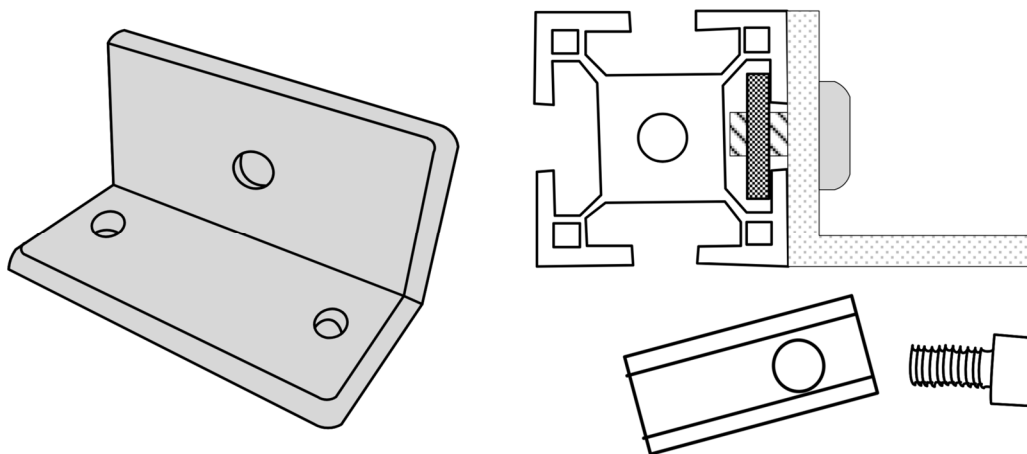
## 7. Step 3: Install T-Slotted Framing Rails

1. Install the two T-Slotted Framing Rails (1" x 1") on both length sides of the platform, 2 total.
2. The rails provide a mounting track for the angle brackets that hold the cover.



### 7.1 Install Angle Brackets

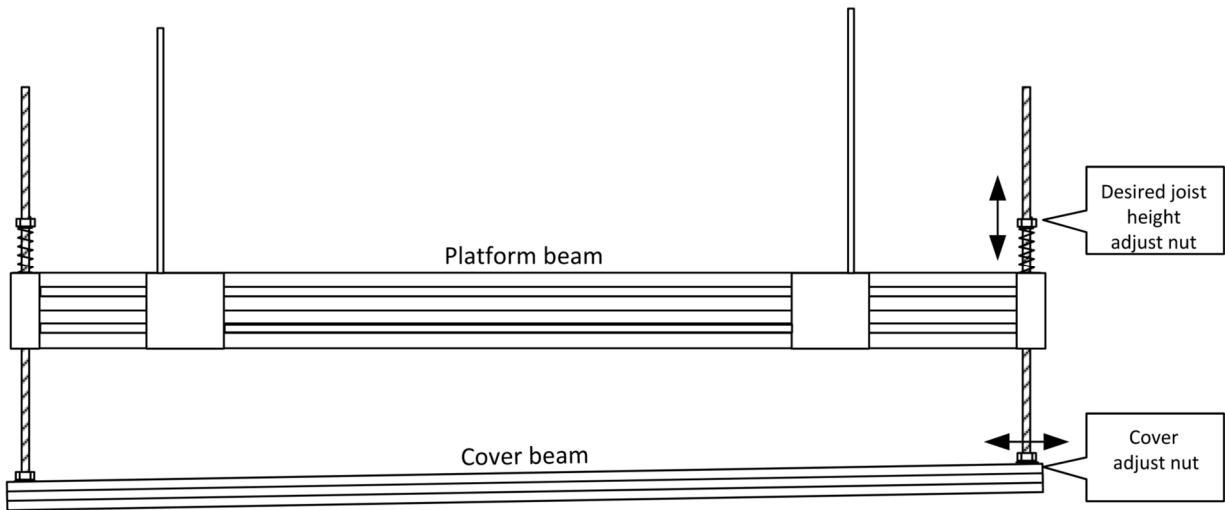
1. Install 3 angle brackets on each side (6 total), positioned on the inside of the T-slotted framing rails using the brackets and screws (M6 x 20).
2. For each angle bracket: attach the screw to the bracket first, then slide the assembly into the T-slotted framing channel.
3. Space the brackets evenly along the length of each rail.
4. **Do not fully tighten the brackets yet** — they need to slide for adjustment.



## 7.2 Adjust Threaded Rod Height

Use the adjustment nuts to set the height of each threaded rod:

- The threaded rod must be able to move freely through the mounting block.
- Adjust the nut so the cover beam will sit at the desired joist height.
- The spring provides tension to keep the cover pressed against the attic opening.



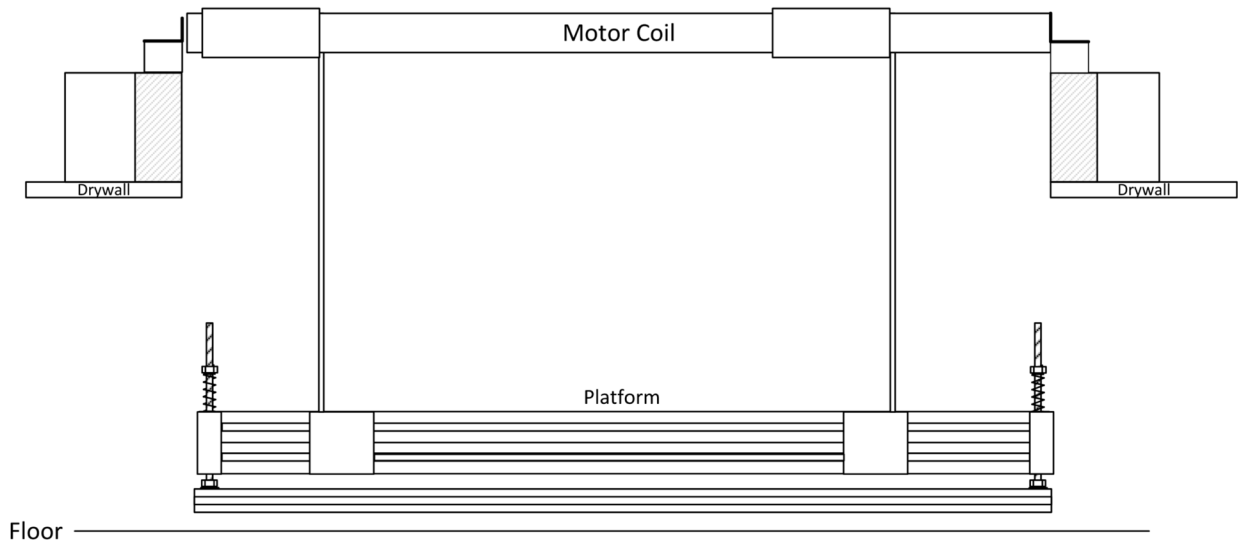
## 8. Step 4: Adjust Cover Beam Height

### 8.1 Set the Floor Limit

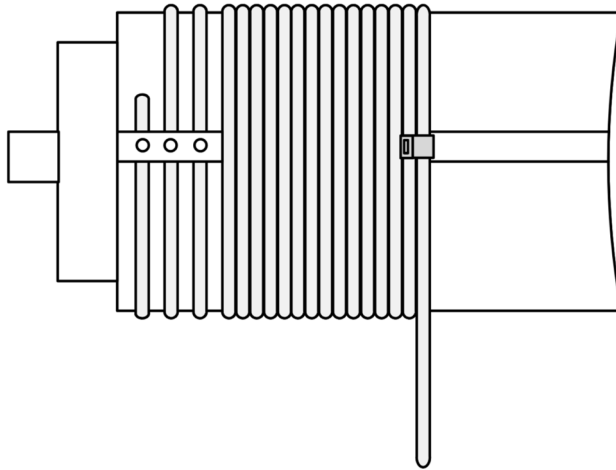
#### **⚠ FLOOR CLEARANCE**

Stop the lift 1/8 inch before the cover beams contact the floor!

1. Lower the platform with the cover beams toward the floor using the remote (press DOWN).
2. Stop the platform 1/8" before the cover beams touch the floor.



3. If the wire rope loses tension at the floor position, wrap a cable tie around the last two cable wraps on each motor and tighten. Do this on all four cable ends.



## 8.2 Adjust the Cover Beam Position

The cover beam height depends on which cover version you are installing:

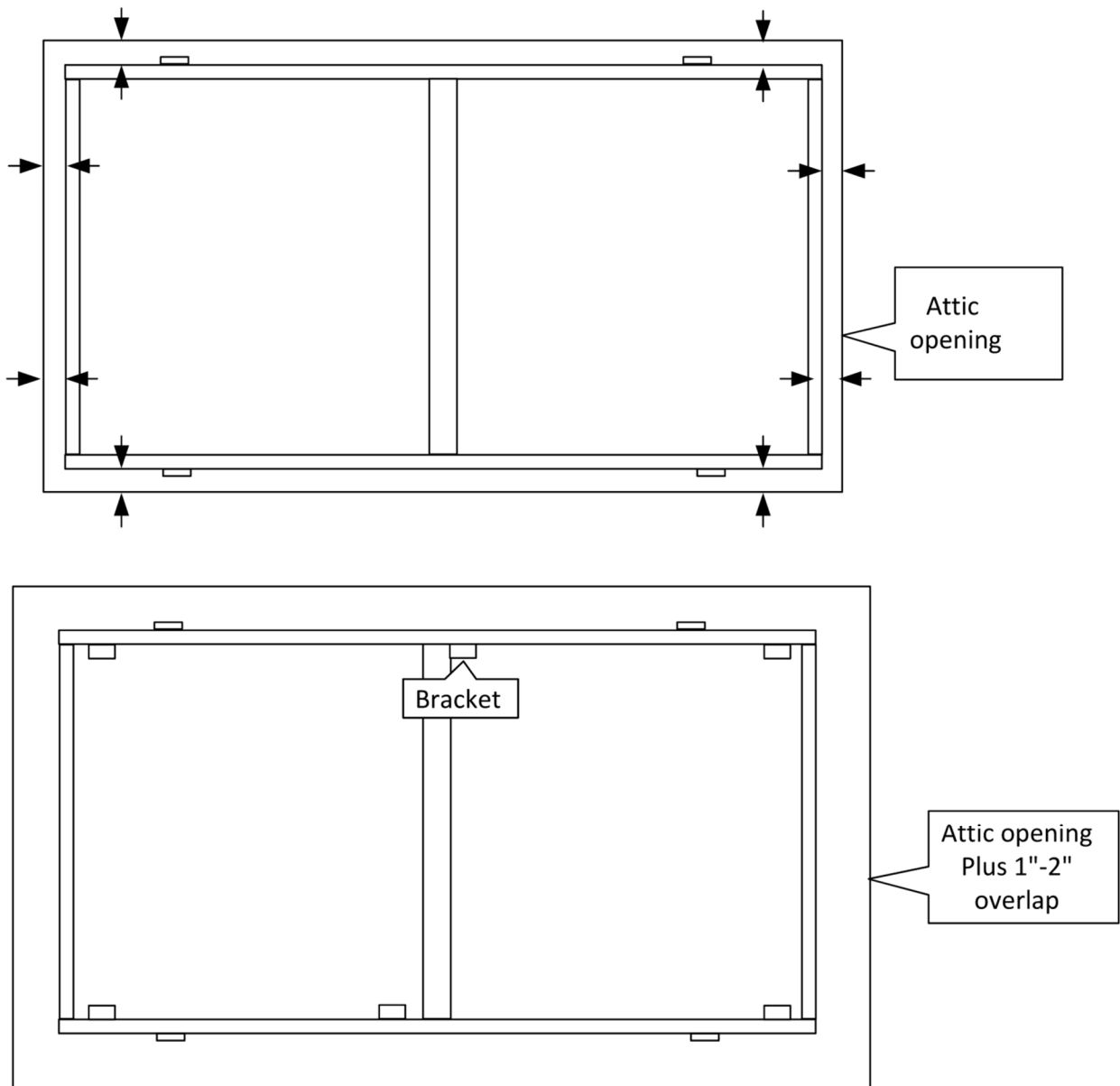
Cover Type	Cover Beam Position
Lay-on cover	Cover beam sits at the same height as the top of the attic opening frame, so the cover rests on the surrounding surface
Inlay cover	Cover beam sits lower so the cover sits flush inside the attic opening
Inlay with fire protection	Cover beam sits lower to accommodate cover rabbets between the cover edge and the opening frame

See Section 4 for diagrams of each option.

## 9. Step 5: Install the Cover

### 9.1 Lay-On Cover Installation

1. Press UP on the remote and raise the cover beams approximately 10 inches above the floor.
2. Lay the cover material (e.g., 3/4" plywood) on the floor.
3. Press DOWN and lower the cover beams onto the cover material.
4. Measure the cover to match the attic opening plus 1"-2" overlap on each side.
5. Connect the cover to the angle brackets using screws (1/4" x 3/4") (8 angle brackets x 2 screws = 16 screws total for the large attic lift; 6 angle brackets x 2 screws = 12 screws total for the small attic lift;).



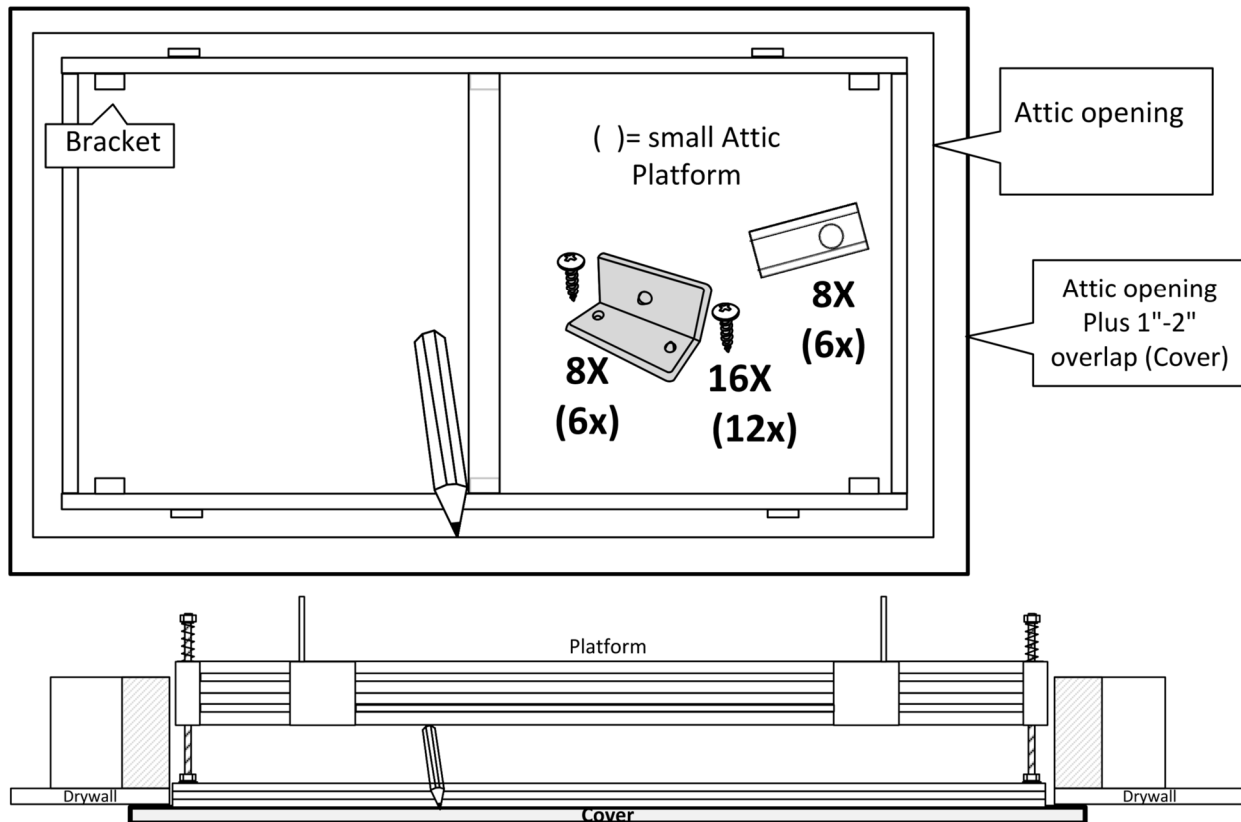
## 9.2 Inlay Cover Installation

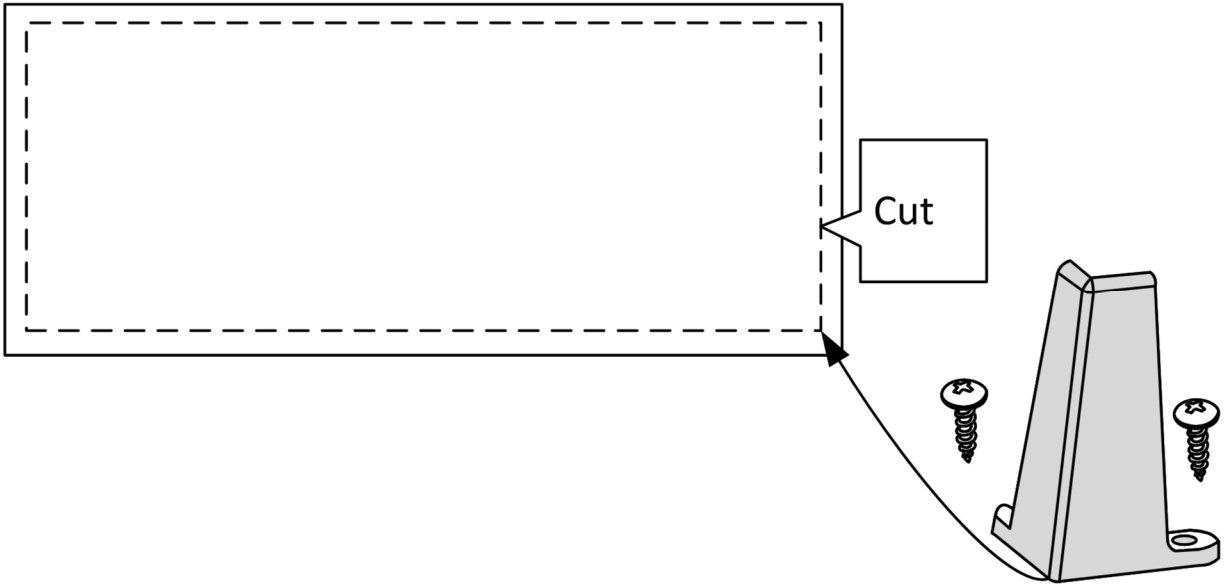
1. Connect the cover material to the angle brackets (same as lay-on initially).
2. Raise the platform and bring the cover to the attic opening.
3. From the attic side, draw a line on the cover material tracing the inside edge of the attic opening.
4. Lower the platform and remove the cover from the brackets.
5. Cut along the marked line.
6. Install 4 corner connectors to reinforce the cut corners (8 screws).
7. Reattach the cut cover to the cover beam brackets.

### ✓ Inlay Cover Sizing

The cover should fit snugly inside the attic opening. For best results, cut slightly oversize and trim to fit.

For smaller attic platforms, fewer brackets are needed (6 brackets instead of 8). Adjust hardware quantities accordingly.

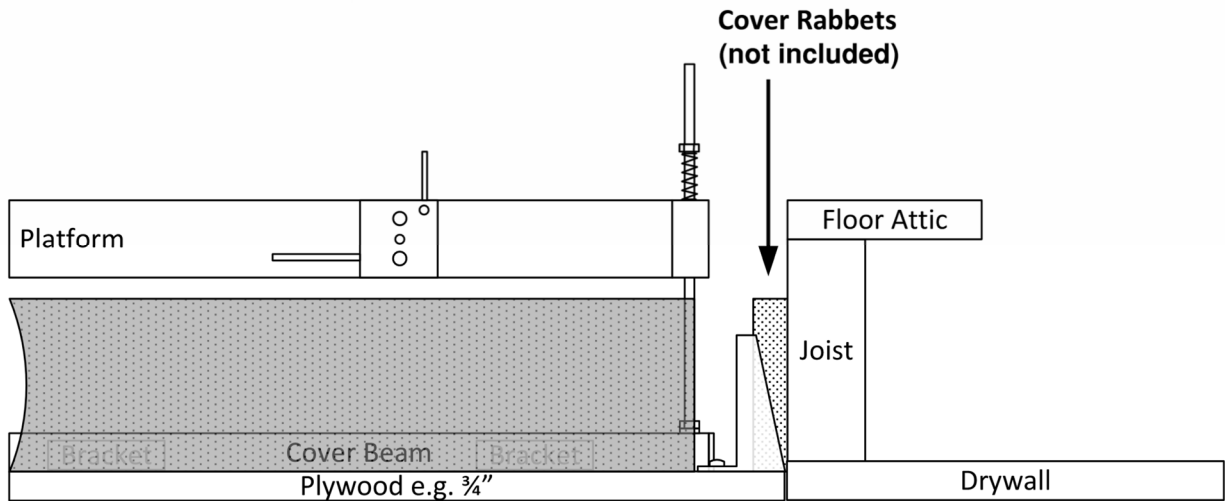


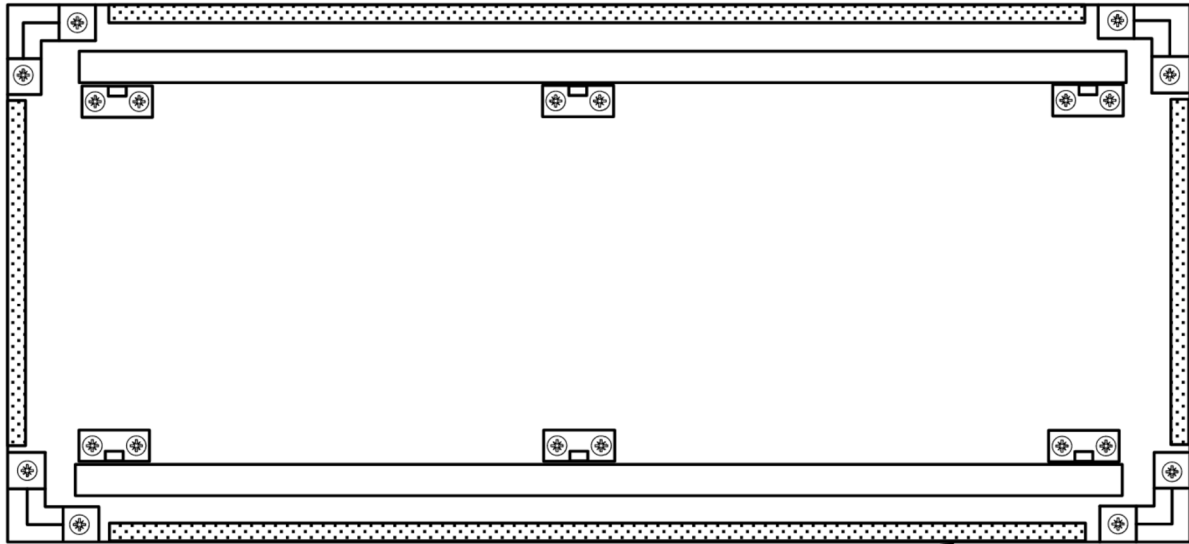


### 9.3 Inlay Cover with Rabbets (Optional – not included)

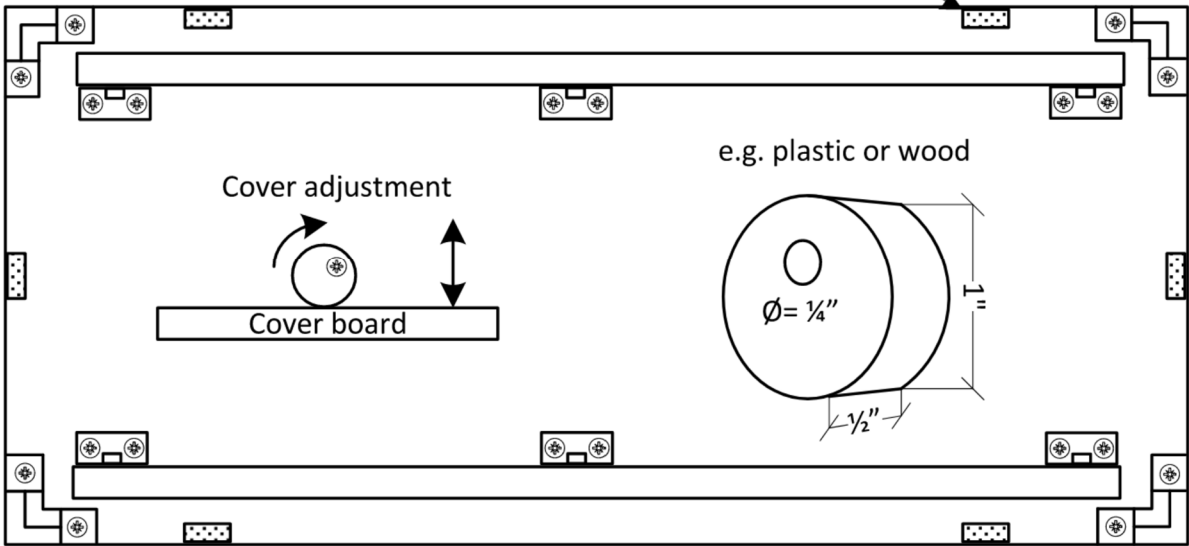
It is recommended to install cover rabbets around the perimeter of the **inlay cover**:

1. Source cover rabbet material (plastic or wood, not included).
2. Cut rabbets to fit the perimeter of the cover. The rabbet should create approximately 1" of overlap between the cover and the attic frame.
3. Drill 1/4" holes in the rabbet material for mounting.
4. Attach the rabbets to the joists.





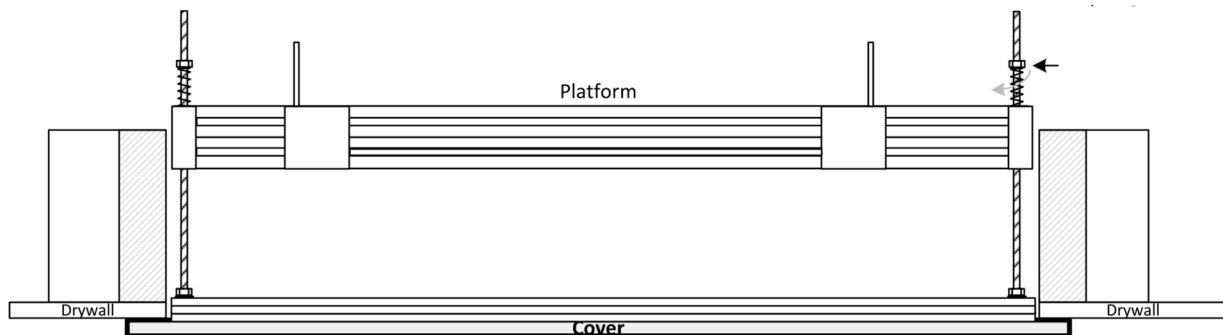
**Cover Rabbets  
(is not include)**



## 10. Step 6: Final Adjustment and Safety

### 10.1 Tension Adjustment

1. Raise the platform with the cover to the attic opening.
2. **Tighten the adjustment nut on each threaded rod** until the cover contacts the attic opening frame.
3. **Then tighten 3 additional turns** to apply spring tension. This ensures the cover presses firmly against the attic opening.
4. Repeat for all 4 threaded rods.
5. Verify the cover seats evenly against the attic opening on all sides.

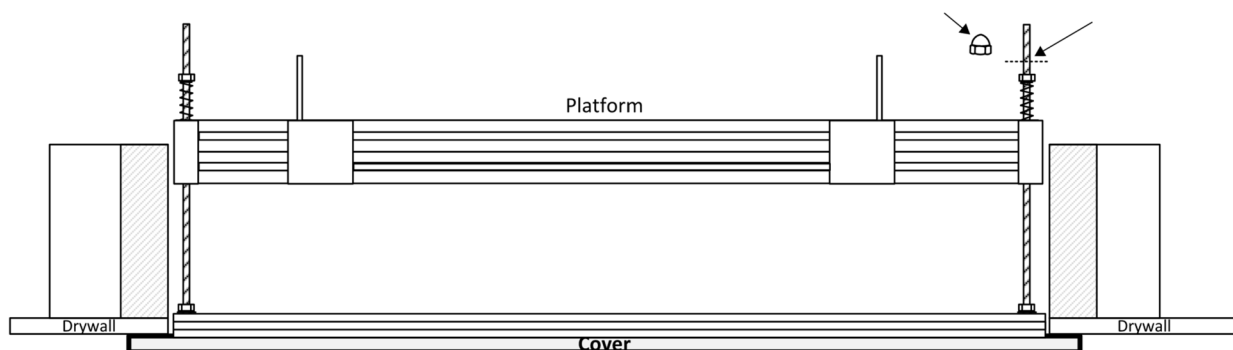


### 10.2 Cut Threaded Rods and Install Crown Nuts

#### **⚠ SAFETY — CROWN NUTS REQUIRED**

The crown (acorn) nuts must be installed on the cut threaded rods for your safety. Exposed threaded rod ends are a puncture and scratch hazard.

1. Cut each threaded rod to its final length, leaving approximately 1/4" above the top nut.
2. Thread a crown (acorn) nut onto the cut end of each threaded rod.
3. Tighten the crown nut securely — this acts as both a lock nut and a safety cap.
4. Repeat for all 4 threaded rods.



## 11. Inspection Checklist

Complete this checklist after installation:

#	Item	Done
1	All 4 end caps installed (small hole facing up)	<input type="checkbox"/>
2	All 4 threaded rod assemblies installed (nut, washer, spring)	<input type="checkbox"/>
3	T-slotted framing rails secured on both sides (2x)	<input type="checkbox"/>
4	Angle brackets installed and tightened (8x or 6x)	<input type="checkbox"/>
5	Cover material attached to brackets with screws (16x or 12x)	<input type="checkbox"/>
6	Cover seats evenly against attic opening on all sides	<input type="checkbox"/>
7	All 4 threaded rods cut to length	<input type="checkbox"/>
8	All 4 crown (acorn) nuts installed on cut threaded rods	<input type="checkbox"/>
9	Spring tension applied (3 turns past contact)	<input type="checkbox"/>
10	Wire rope cable ties installed if needed (4x)	<input type="checkbox"/>
11	Cover clears floor by at least 1/8" when platform is lowered	<input type="checkbox"/>
12	DEADMAN function is active on the controller	<input type="checkbox"/>

**Tools for inspection:** 5/32" (4 mm) hex key for end caps and T-slotted framing; 13/32" (10 mm) wrench for adjustment nuts and crown nuts.

Design and Quality — AUXLIFT of the USA  
 All Rights Reserved • US Patent  
 Release 04/2026/SW — Revised Edition